



XTE 601 Series Dual Bay Equipment Enclosures

Description and Installation Manual

The information contained in this document is subject to change without notice and may not be suitable for all applications. While every precaution has been taken to ensure the accuracy and completeness of this document, Vertiv assumes no responsibility and disclaims all liability for damages resulting from use of this information or for any errors or omissions. Refer to other local practices or building codes as applicable for the correct methods, tools, and materials to be used in performing procedures not specifically described in this document.

The products covered by this instruction manual are manufactured and/or sold by Vertiv. This document is the property of Vertiv and contains confidential and proprietary information owned by Vertiv. Any copying, use or disclosure of it without the written permission of Vertiv is strictly prohibited.

Names of companies and products are trademarks or registered trademarks of the respective companies. Any questions regarding usage of trademark names should be directed to the original manufacturer.

Technical Support Site

If you encounter any installation or operational issues with your product, check the pertinent section of this manual to see if the issue can be resolved by following outlined procedures.

Visit <https://www.vertiv.com/en-us/support/> for additional assistance.

TABLE OF CONTENTS

Admonishments Used in this Document.....	vi
Important Safety Instructions.....	vii
Safety Admonishments Definitions.....	vii
Safety and Regulatory Statements.....	vii
Déclarations de Sécurité et de Réglementation.....	vii
1 About this Document.....	1
1.1 Purpose.....	1
2 Description	1
2.1 Application.....	1
2.2 Physical Specifications.....	2
2.1 Environmental.....	2
2.2 Standards Compliance.....	2
2.3 Enclosure Features and Options.....	10
2.3.1 Mechanical.....	10
2.3.2 Climate Control.....	11
2.3.3 Controller.....	11
2.3.4 Battery Storage Options.....	12
2.3.5 Rack Units.....	12
2.3.6 AC Power Options.....	12
2.3.7 Grounding.....	12
2.3.8 Mounting Options.....	12
2.3.9 Cable Entry.....	13
2.3.10 Protection Options.....	13
3 Preparation and Precautions	13
3.1 Installation Overview.....	13
3.2 Tools and Test Equipment.....	14
3.3 General Safety and Precautions.....	15
4 Opening and Closing The enclosure Doors.....	16
4.1 Available Latch Types.....	16
4.2 Opening a Door.....	16
4.3 Closing a Door.....	17
5 Site Selection.....	18
6 Transportation and Storage.....	19
7 Installing a Concrete Pad.....	20
7.1 Unpacking the Enclosure.....	28
7.2 Lifting Preparation.....	28
7.2.1 Equipment Required.....	28
7.3 Mounting Preparation.....	29
8 Pad Mounting	31
9 OSP Cable Installation.....	35
9.1 General.....	35
9.2 Installing Copper and Fiber Cables.....	35

9.2.1	Installing Copper Cables.....	37
9.2.2	Splicing Copper Cables.....	37
9.2.3	Installing Fiber Cables.....	39
9.3	Sealing Cable Entries.....	40
10	Protection	42
10.1	M307 Protection Field Install.....	42
10.1.1	Tools Needed.....	42
11	AC Power.....	51
11.1	Safety Precautions.....	51
11.2	Enclosure AC Schematic.....	51
11.3	Grounding the Enclosure.....	51
11.4	AC Input Connections.....	52
11.4.1	General.....	52
11.4.2	AC Input Junction Box Kit P/N 544966.....	54
11.4.3	8-Position Load Center Kit P/Ns 544970 and 546425.....	55
11.4.4	12-Position Load Center Kit P/N 547095 and 547096.....	56
11.4.5	220VAC/15A Twist Lock Receptacle Kit P/N 545101.....	57
11.4.6	220VAC/30A Twist Lock Receptacle Kit P/N 545102.....	57
11.4.7	Optional 30A Generator Connection Kit P/Ns 544974 and 547097.....	58
11.4.8	Optional 60A Generator Connection Kit P/Ns 546478 and 547098.....	60
12	Installing and Connecting Batteries.....	62
12.1	Safety Precautions.....	62
12.2	General.....	62
12.3	Installing Batteries.....	62
12.4	Wiring Batteries.....	67
12.4.1	-48Vdc Systems.....	67
12.4.2	+24Vdc Systems.....	69
13	Alarm Wiring	71
13.1	Alarm Wiring (same information for both single and dual bay documents).....	71
14	Climate Control Options.....	72
14.1	Heat Exchangers.....	72
14.1.1	Heat Exchangers - Environmental Control Unit (ECU).....	78
14.1.2	Heat Exchanger Thermal Components.....	78
14.1.3	ECU Control of the Heat Exchanger Thermal Components (+24VDC and -48VDC ECUs).....	82
14.1.4	Failure Modes.....	83
14.1.5	ECU User Interface (+24VDC and -48VDC ECUs).....	86
14.2	Air Conditioners.....	90
14.2.1	Environmental Controls.....	91
14.2.2	User Interface.....	91
15	Replacement Parts and Procedures.....	92
15.1	Heat Exchanger Fan Replacement.....	92
15.1.1	You Will Need.....	92
15.1.2	Replacing an Internal or External Fan (1000W and 1450W Heat Exchanger).....	92
15.1.3	Replacing an Internal or External Fan (2800W Heat Exchanger).....	95

15.2	ECU Replacement.....	98
15.2.1	Removing Existing ECU Assembly.....	98
15.2.2	Installing ECU.....	98
15.2.3	Completing ECU Installation.....	98
16	When Field Replacement.....	99
16.1	Cabinet Identification.....	99
17	Accessories and Replacement Parts.....	100
18	DC Power, Outdoor Enclosure & Service Contacts.....	106

Admonishments Used in this Document



DANGER! Warns of a hazard the reader *will* be exposed to that will *likely* result in death or serious injury if not avoided. (ANSI, OSHA)



WARNING! Warns of a potential hazard the reader *may* be exposed to that *could* result in death or serious injury if not avoided. This admonition is not used for situations that pose a risk only to equipment, software, data, or service. (ANSI)



CAUTION! Warns of a potential hazard the reader *may* be exposed to that *could* result in minor or moderate injury if not avoided. (ANSI, OSHA) This admonition is not used for situations that pose a risk only to equipment, data, or service, even if such use appears to be permitted in some of the applicable standards. (OSHA)



ALERT! Alerts the reader to an action that *must be avoided* in order to protect equipment, software, data, or service. (ISO)



ALERT! Alerts the reader to an action that *must be performed* in order to prevent equipment damage, software corruption, data loss, or service interruption. (ISO)



FIRE SAFETY! Informs the reader of fire safety information, reminders, precautions, or policies, or of the locations of fire-fighting and fire-safety equipment. (ISO)



SAFETY! Informs the reader of general safety information, reminders, precautions, or policies not related to a particular source of hazard or to fire safety. (ISO, ANSI, OSHA)

Important Safety Instructions

Safety Admonishments Definitions

Definitions of the safety admonishments used in this document are listed under “Admonishments Used in this Document” on page vi.

Safety and Regulatory Statements

Refer to Section 4154 (provided with your customer documentation) for Safety and Regulatory Statements.

Déclarations de Sécurité et de Réglementation

Reportez-vous à la Section 4154 (fourni avec les documents de votre client) pour les déclarations de sécurité et de réglementation.

This page intentionally left blank.

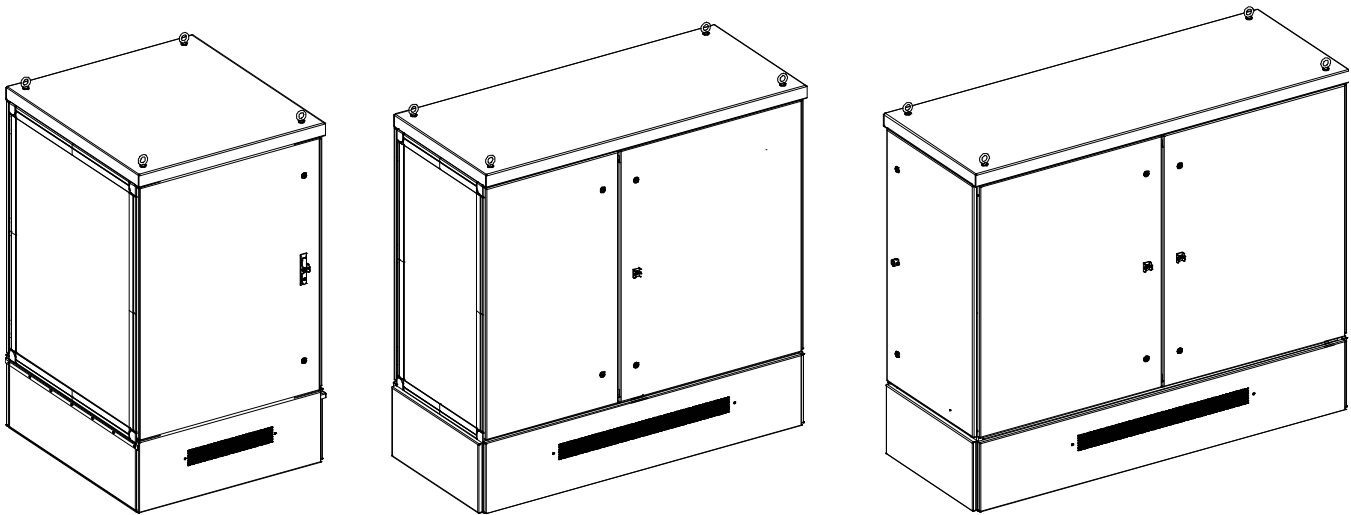
1 About this Document

1.1 Purpose

This practice provides installation instructions for Vertiv™ XTE 601 Series Dual Bay Equipment Enclosures. These integrated enclosures are part of a versatile, and scalable enclosure family to support a variety of wireless and wireline applications. Vertiv™ XTE 601 Series Dual Bay Equipment Enclosures offer a broad array of climate control, power, mounting and configuration options.

When using this document, consider the footprint for the enclosure you are installing as well as any installed options when determining which procedures contained within this document will be applicable for your installation.

Figure 1.1 Vertiv™ XTE 601 Series Dual Bay Equipment Enclosures



2 Description

2.1 Application

Vertiv™ XTE 601 Series Dual Bay Equipment Enclosures are designed to provide a secure and water-tight housing for equipment, power and batteries supporting both wireline and wireless telecommunications applications.

Vertiv™ XTE 601 Series Dual Bay Equipment Enclosure depends upon a proven structural system, integrated mechanical components, and a sealing system that withstands rain, dust, snow and hurricane winds.

Vertiv™ XTE 601 Series Dual Bay Equipment Enclosure is fully flexible and scalable - one standard product family to support various outside plant applications, within a generous height, width and depth range.

Multiple climate control solutions are available to keep equipment operating within its optimum temperature range. Heat exchangers, air conditioners, and venting options are available in various sizes.

Vertiv™ XTE 601 Series Dual Bay Equipment Enclosures can only be pad mounted.

2.2 Physical Specifications

Standard Sizes - Vertiv™ XTE 601 Series Dual Bay Equipment Enclosure can be provided with two equipment bays only, two equipment bays and one side chamber, or two equipment bays and two side chambers. The dual bay enclosures are available in the following rack units (RUs): 17 and 27. See Table 2.1 and Table 2.3.

- **Dimensions and Weights** - Refer to Table 2.1, Table 2.2, and Figure 2.1 through Figure 2.6.
- **Color** - Off-white.
- **Finish** - Finished in multistage dry powder polyester paint for maximum durability and performance against corrosion.
- **Lifting** - The enclosures have four lifting eyebolts on the top that allow them to be lifted and lowered into position.

2.1 Environmental

- Operating Ambient Temperature Range: -40 °F to +115 °F (-40 °C to +46 °C).
- Relative Humidity: Capable of operating in an ambient relative humidity range of 5% to 95%, non-condensing.

2.2 Standards Compliance

Vertiv™ XTE 601 Series Dual Bay Equipment Enclosures are designed to meet the following standards where applicable:

- Telcordia, GR-487-CORE, *Generic Requirements for Electronic Equipment Enclosures*, Issue 3, April 2009. Standard enclosure options are designed to meet Seismic Zone 2 and Zone 4 requirements.
- Telcordia, GR-63-CORE, *Network Equipment - Building System (NEBS) Requirements: Physical Protection*, Issue 1, October 1995.
- Telcordia, GR-1089-CORE, *EMC and Electrical Safety Generic Criteria for Network Communications Equipment*, Issue 1 November 1997.
- Underwriters Laboratory, UL 60950/NWIN, Type 3R.
- IP55 and IP56 Rated Ingress Protection, some limitations may apply.

Table 2.1 Dimensions and Weights for Zone 2 Enclosures

Configurations		Cabinet Size Footprint	Height [inches (mm)] (Equipment Bay w/ Solar Shield and Battery Base)	Width [inches (mm)]		Weight [lbs (kgs)]	
				1 Side Chamber	2 Side Chambers	1 Side Chamber	2 Side Chambers
32-inch Depth Enclosures (Equipment Bays Side by Side)	RU 27	72" x 32" W x D	70.40 (1788)	72.00 (1829)	N/A	586 (265.8)	N/A
	RU 27	84" x 32" W x D	70.40 (1788)	N/A	84.20 (2139)	N/A	780 (354)
46-inch Depth Enclosures (Equipment Bays Front and Back)	RU 17	42" x 46" W x D	53.30 (1354)	42.00 (1067)	N/A	445 (201.8)	N/A
	RU 27		70.80 (1798)	42.00 (1067)	N/A	544 (246.7)	N/A

Table 2.2 Dimensions and Weights for Zone 4 Enclosures

Configurations		Cabinet Size Footprint	Height [inches (mm)] (Equipment Bay w/ Solar Shield and Battery Base)	Width [inches (mm)]		Weight [lbs (kgs)]	
				1 Side Chamber	2 Side Chambers	1 Side Chamber	2 Side Chambers
32-inch Depth Enclosures (Equipment Bays Side by Side)	RU 27	72" x 32" W x D	70.40 (1788)	72.10 (1829)	N/A	N/A	N/A
	RU 27	84" x 32" W x D	70.40 (1788)	N/A	84.00 (2134)	N/A	N/A
46-inch Depth Enclosures (Equipment Bays Front and Back)	RU 17	42" x 46" W x D	53.30 (1354)	42.00 (1067)	N/A	N/A	N/A
	RU 27		70.80 (1798)	42.00 (1067)	N/A	N/A	N/A

N/A = Not available in this configuration.

Table 2.3 Available Equipment Rack Space - Relay Rack Units (RU)

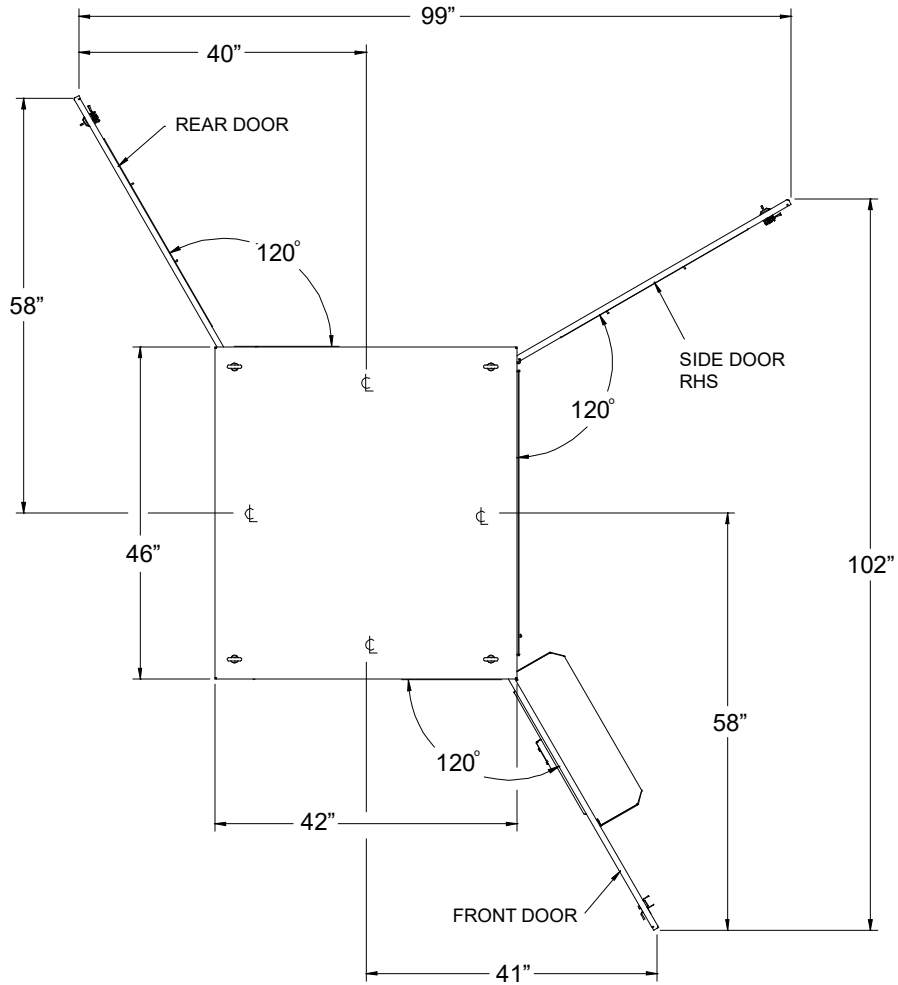
Configurations	Fixed Racks / Integrated Racks			Swing Rack (enclosures with front access only)		
	RU	Inches	mm	RU ¹	Inches	mm
RU 17	17	29.75	756	15	26.25	667
RU 27	27	47.25	1201	25	43.75	1111

¹ 1RU = 1.75-inch

² Rack units listed are per equipment bay.

³ Swing frame is not an option in Zone 4 enclosures.

Figure 2.1 Approximate Area Required for Installing 42"x 46" Cabinets



Width X Depth	Heights	8RU	12RU	17RU	22RU	27RU	32RU
42" x 46"	H - Z2	N/A	N/A	14.50	N/A	14.50	N/A
	H - Z4	N/A	N/A	15.50	N/A	15.50	N/A
	H1 - Z2 & Z4	N/A	N/A	39.08	N/A	56.58	N/A
	H2 - Z2	N/A	N/A	53.62	N/A	71.12	N/A
	H2 - Z4	N/A	N/A	54.62	N/A	72.12	N/A
	H3 - Z2 & Z4	N/A	N/A	31.25	N/A	47.75	N/A

- H - Z2 : Battery Base Height Zone 2
- H - Z4 : Battery Base Height Zone 4
- H1 - Z2 & Z4 : Cabinet Height Zone 2 & 4
- H2 - Z2 : Cabinet Height with Battery Base Zone 2
- H2 - Z4 : Cabinet Height with Battery Base Zone 4
- H3 - Z2 & Z4 : Equipment Height Zone 2 & 4

Figure 2.2 Vertiv™ XTE 601 Series Dual Bay Equipment Enclosure (42"Wx46"D) Dimensions

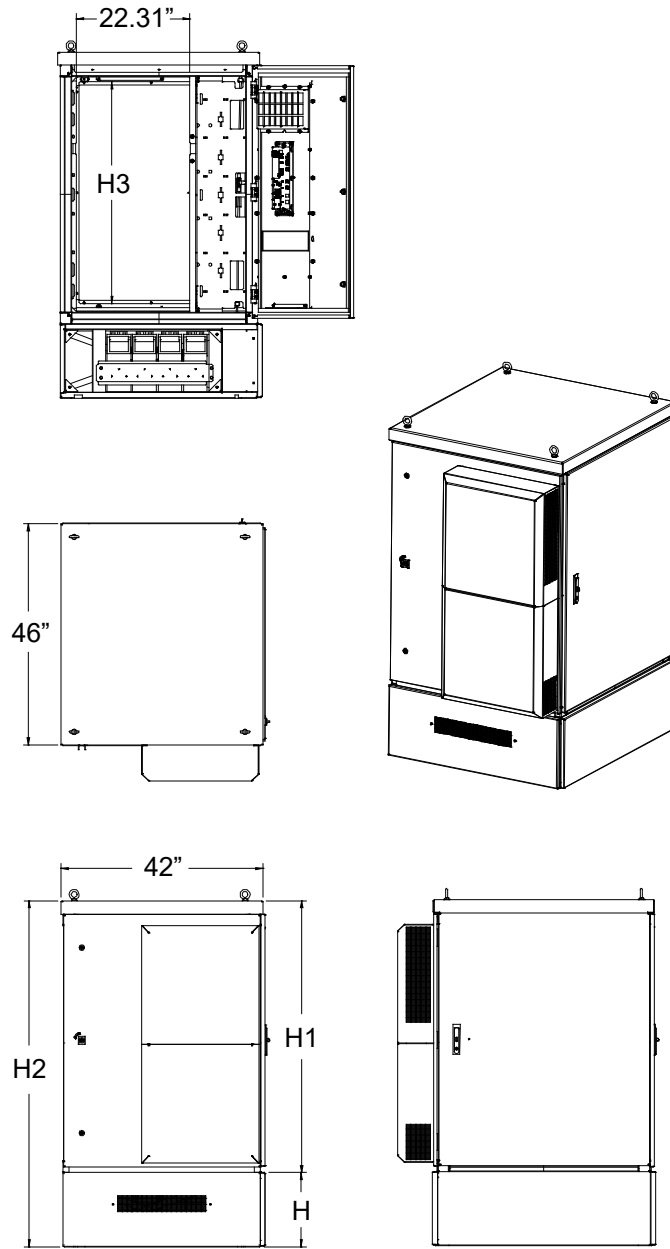


Figure 2.3 Vertiv™ XTE 601 Series Dual Bay Equipment Enclosure (72"W x 46"D) Dimensions

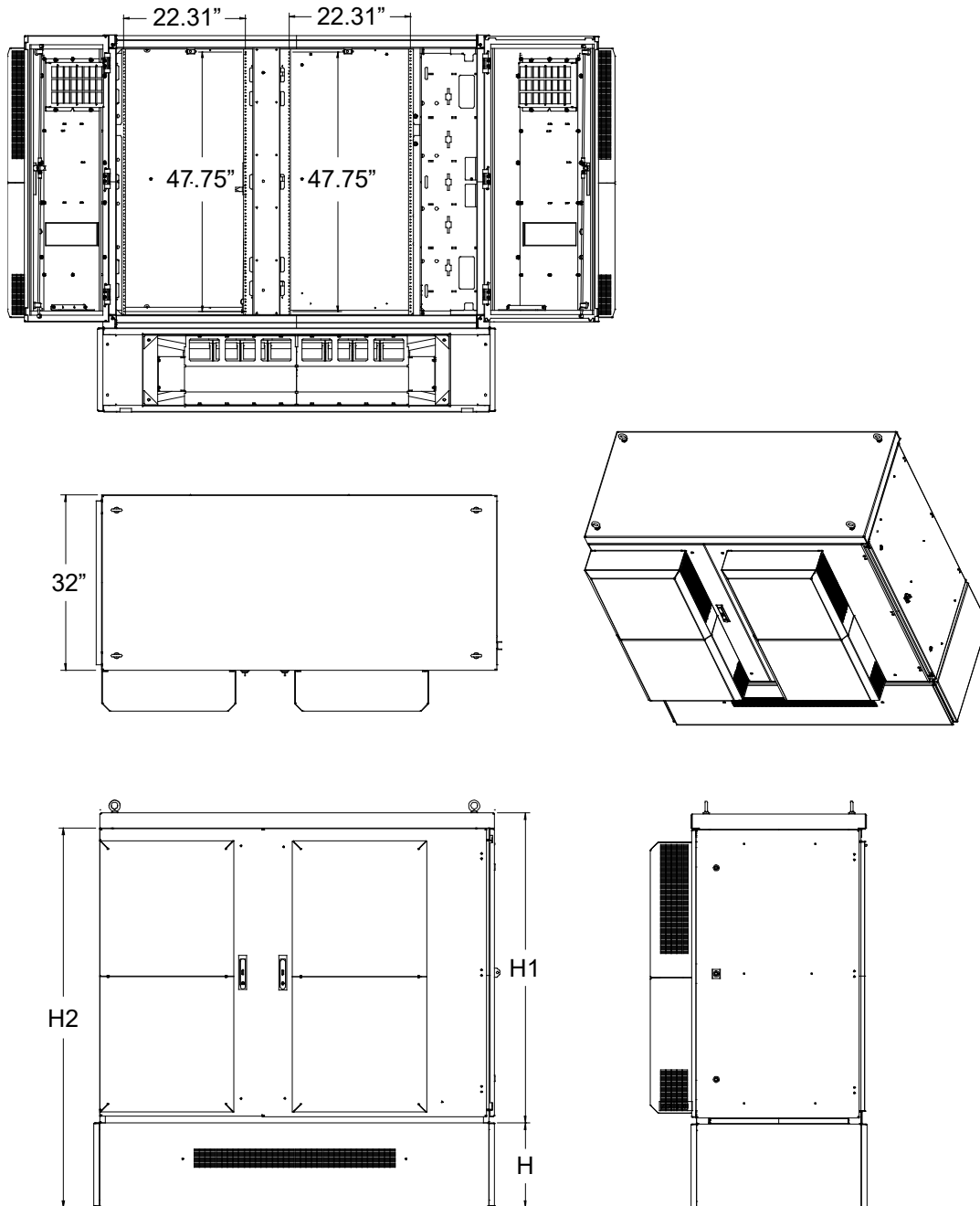
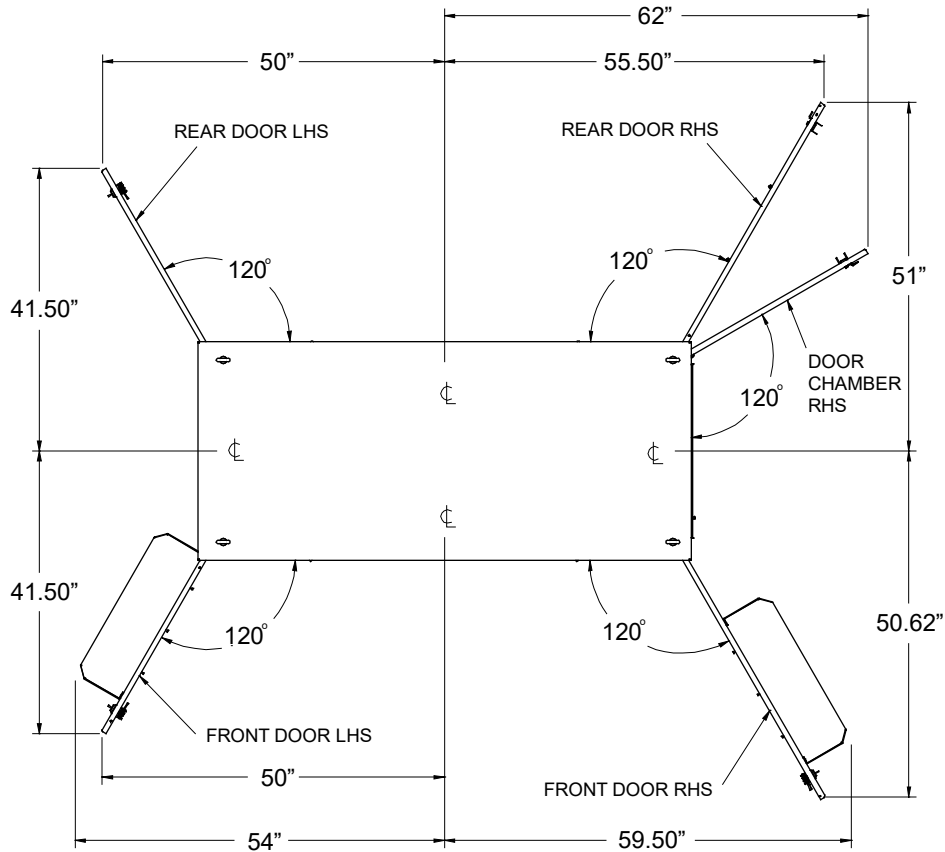


Figure 2.4 Approximate Area Required for Installing 72"x 32" Cabinets



Width X Depth	Heights	8RU	12RU	17RU	22RU	27RU	32RU
72" x 32"	H - Z2	N/A	N/A	N/A	N/A	14.50	N/A
	H - Z4	N/A	N/A	N/A	N/A	15.50	N/A
	H1 - Z2 & Z4	N/A	N/A	N/A	N/A	56.62	N/A
	H2 - Z2	N/A	N/A	N/A	N/A	71.12	N/A
	H2 - Z4	N/A	N/A	N/A	N/A	72.12	N/A
	H3 - Z2 & Z4	N/A	N/A	N/A	N/A	47.75	N/A

- H - Z2 : Battery Base Height Zone 2
- H - Z4 : Battery Base Height Zone 4
- H1 - Z2 & Z4 : Cabinet Height Zone 2 & 4
- H2 - Z2 : Cabinet Height with Battery Base Zone 2
- H2 - Z4 : Cabinet Height with Battery Base Zone 4
- H3 - Z2 & Z4 : Equipment Height Zone 2 & 4

Figure 2.5 Approximate Area Required for Installing 84"x 32" Cabinets

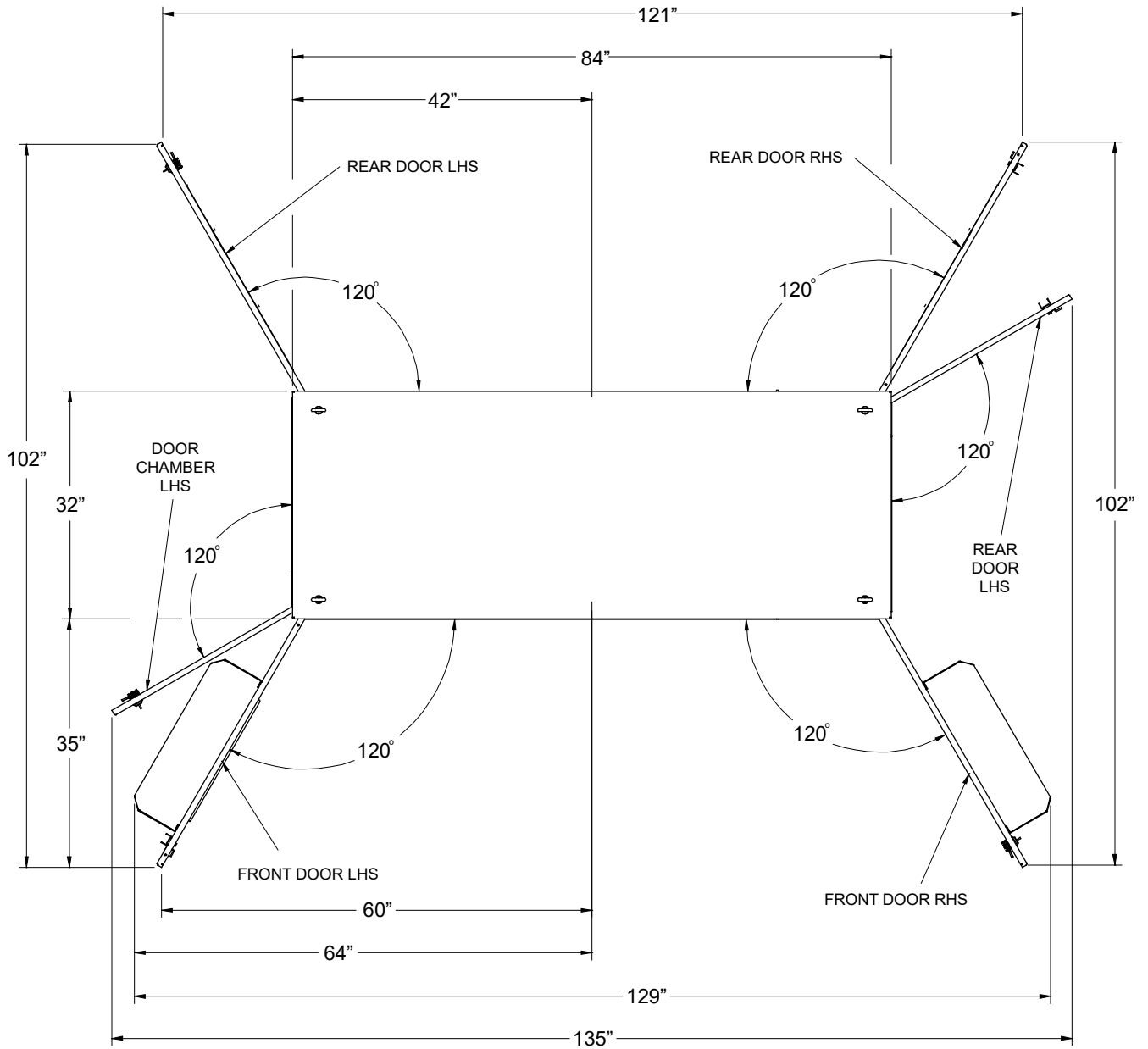
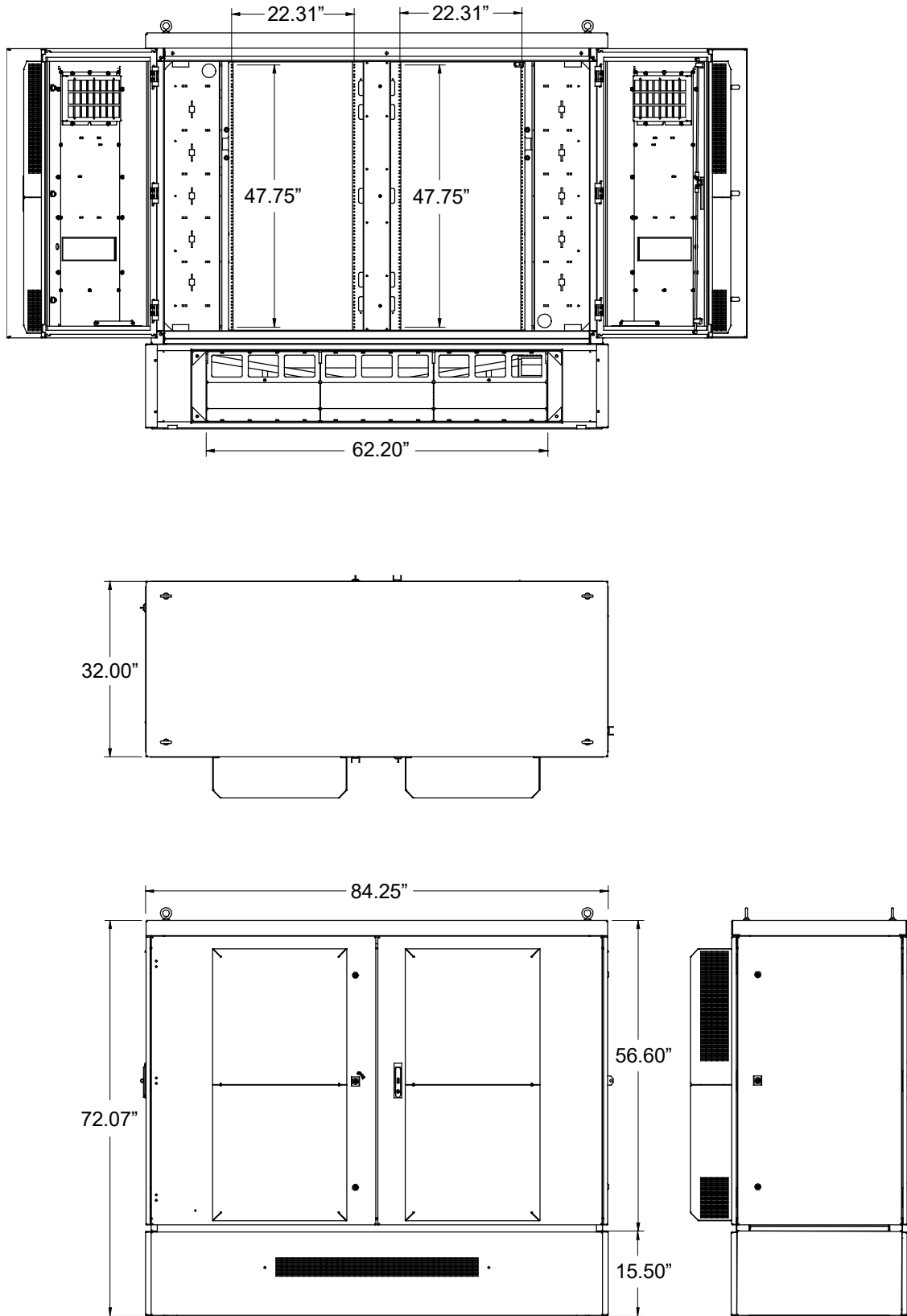


Figure 2.6 Vertiv™ XTE 601 Series Dual Bay Equipment Enclosure (84"W x 32"D) Dimensions

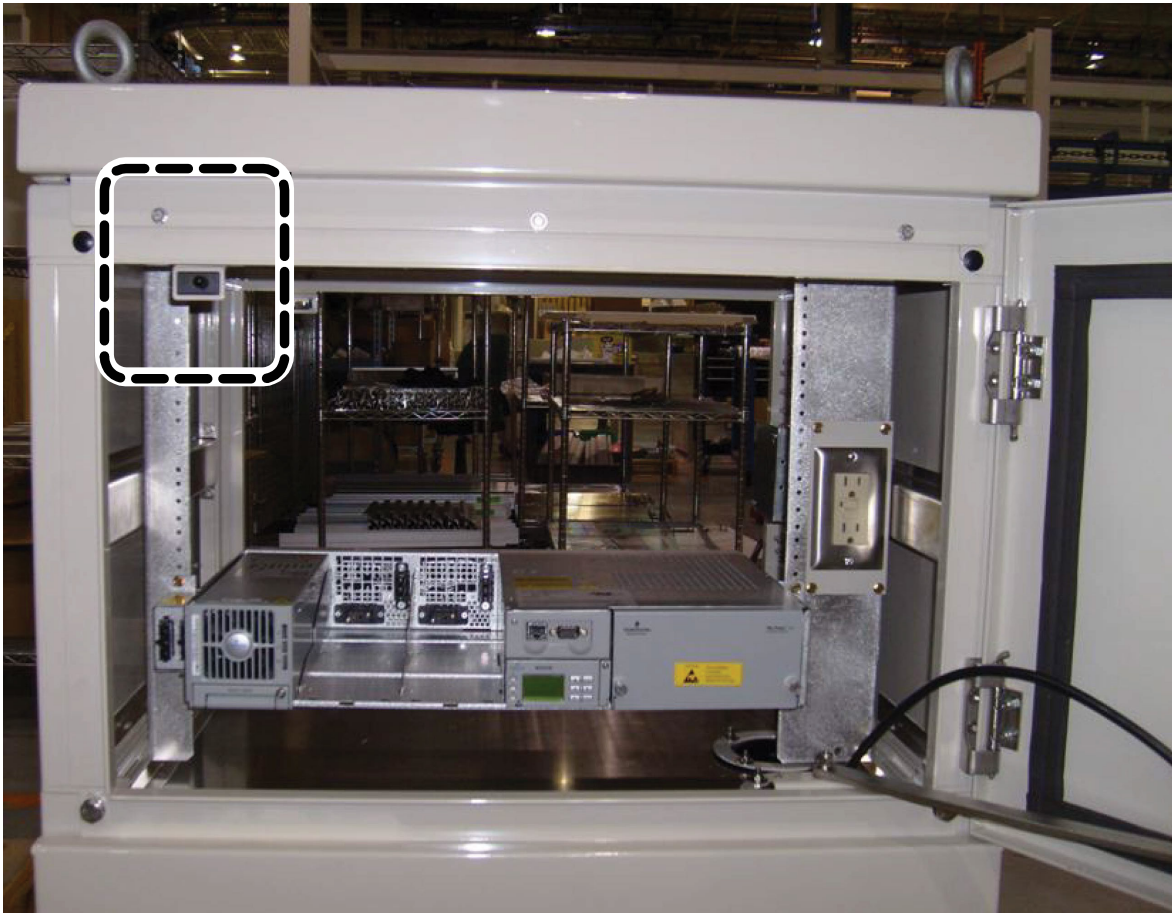


2.3 Enclosure Features and Options

2.3.1 Mechanical

- **Construction** - Side walls, panels, and floors and doors are 0.125 inch (3.2mm) aluminum.
- **Doors** -The enclosure has environmentally sealed doors. Front and rear doors provide access to the equipment chamber containing the system equipment. Side doors provide access to side chambers.
 - All doors are equipped with a locking mechanism that allows installation of a customer provided padlock, and a security bolt.
 - A hex/pin (T-handle tool) or 216 (can wrench) security tool opens the security bolt.
 - The doors have intrusion alarm switches, and self-locking wind latches which secure the door open during installation or maintenance activities. See Figure 2.7.
 - The enclosure doors are hinged and each has environmental seal gaskets. EPDM rubber is used for door and seam seals.

Figure 2.7 Door Intrusion Switch (typical view)



- **Locking Mechanisms** - Handle with three-point rod-latch mechanism or 1/4 turn latches are available. Both have provisions for customer provided padlock for additional security.
- **Equipment Chambers** - Standard equipment chambers are 42 inches (1067mm) in width and are available in either 32 inch (813mm) or 46 inch (1171mm) depths. See Figure 2.7.
- **Side Chambers** - Each side chamber will add 12 inches (305mm) to enclosure width.

- **Rack Sizes** - Accommodates either 19-inch or 23-inch width integrated racks with EIA hole spacing. Swing frames are available in 23-inch widths. Refer to Table 2.3.
- **Solar Shield** - A solar shield is standard on all enclosures.
- **Document Holder Option** - Available for select enclosures with standard doors.
- **Computer Shelf Option** - Available for select enclosures with standard doors and document holder.

2.3.2 Climate Control

- Climate Control Options - The enclosures are offered with a variety of climate control options depending upon enclosure size as shown in Table 2.4.

Table 2.4 Climate Control Options

		RU 17	RU 27
Heat Exchangers (-48Vdc & + 24Vdc)	1000W	✓	✓
	1450W	✓	✓
	2800W	N/A	✓
Air Conditioners (VAC)	2000 BTU	✓	✓
	4000 BTU	✓	✓
	8000 BTU	N/A	✓
	19000 BTU	N/A	✓
Fan Filter Assembly (-48VDC and +24VDC)	Hydrophobic	✓	✓
	Standard	✓	✓

¹ N/A - Not available in this enclosure size.

² Heat Exchanger rating based on 19° delta T: 65°operating and 46°C ambient.

³ Enclosure solar load is not reflected in heat exchanger loads listed. This will vary by enclosure size.

- **Heat Exchangers** - Heat exchangers are available to properly cool electronics without the mixing of outside air, thus maintaining the enclosure sealed from the outside environment. These heat exchangers require no refrigerant, feature low-energy consumption fans and, will continue to function even when AC line power is lost because they are DC powered.
- **Air Conditioners** - Air conditioners are offered in several cooling capacities. Units are equipped with adjustable thermostat controls to maintain desired equipment temperatures. AC heaters are included with each air conditioner to maintain internal enclosure temperatures during cold climate conditions. AC conditioners are AC powered, and are Freon-based vapor compression devices. The heaters are electric strip type, integral to the a/c unit.
- **Fan Filter Assembly** - Fan filter assemblies are offered for ventilated cabinet solutions. Assemblies can be provided with standard air filter or a hydrophobic filter, which mounts to front door. This is typically offered with an exhaust assembly that is typically mounted to the cabinet rear.

2.3.3 Controller

- Microprocessor based Environmental Control Unit (ECU) for climate control (heat exchanger only) and alarming functions. Air conditioners are controlled via their internal controls.

2.3.4 Battery Storage Options

- All standard battery options are designed to support or house front post VRLA type batteries.

Maximum battery dimensions: 21.1 (561mm) Depth x 4.9" (124mm)
Width x 12.6" (316 mm) height.

Maximum Battery Weight 132 lbs (59.87kg) each

- **Battery Storage** - External battery compartments are available and designed to meet GR-487 requirements.
- **Battery Racks and Shelves** - Option not available for Dual Bay enclosures.
- **Battery Heater Pad** - Battery heater pad available for external battery compartments.
- **External Battery Compartment** - External compartments are designed to meet GR-487 requirements. Battery compartment is vented to prevent outgas buildup.
- **Internal Battery Storage** - Provisions to store battery shelves in the equipment for 23" rack width configurations. Vented roof or rear removable panel filter or both will be provided with this solution to prevent battery outgas buildup. Each battery shelf can support up to four front post VRLA batteries.

2.3.5 Rack Units

- Refer to Table 2.3 for available rack space per equipment bay.

2.3.6 AC Power Options

- **AC Load Center** - When ordered, a Square D type QO® 100A 8-position or 125A 12-position, 120/240VAC load center will be located in the rear of the equipment chamber or side chamber.
- **AC Junction Box** - When ordered, will be located in the equipment chamber in a 115VAC, 60 Hz, single phase 4x4 AC receptacle kit. The kit also includes a 15 amp 115VAC GFI receptacle. Can also be specified with twist-lock receptacles.
- **AC Junction Box (Twist Lock)** - 220Vac, 15A and 220Vac, 30A 4-inch x 4-inch boxes with twist lock receptacles.
- **Ground Fault Circuit Interrupter (GFCI) Outlets** - 15A GFCI outlets are available and can be located in the equipment bay or side chambers.
- **AC Generator Options** - Two generator inlet kit options are available, 30A and 60A, to supply AC to the enclosure during a commercial power outage.

2.3.7 Grounding

- **Main Ground Bar (MGB)** - A 10-position dual hole ground bar is included as standard. When side chambers are specified, a ground bar will be located in each side chamber and one will not be included in the equipment chamber. When two ground bars are present, one will be designated as the Main Ground Bar (MGB). The ground bars have 1/4-in studs on 5/8-in centers and use 2 hole lugs.
- **Isolated Ground Bar Option** - An additional 10-position dual hole isolated ground bar can be added to enclosures if more ground points are required. A ground cable is also included to connect the isolated ground bar to main ground bar.

2.3.8 Mounting Options

Refer to Table 2.5.

- **Pad Mounting** - A pour-in-place pad template is available for all enclosure sizes. A rubber gasket is also included to prevent corrosion between the concrete pad and the enclosure mounting surfaces. See Table 2.5 below.

Table 2.5 Available Mounting Accessories

Configurations		Pad Template
32" Depth Enclosure	1 Side Chamber 72"W x 32"D (1831mm x 813mm)	F1009336
	2 Side Chambers 84"W x 32"D (2139mm x 813mm)	F1009337
46" Depth Enclosure	1 Side Chamber 42"W x 46"D (1067mm x 1171mm)	F1009685

2.3.9 Cable Entry

- **Cable Cones** - Enclosures with 32" depth (635mm) are equipped with three (3) 4-inch (101.6mm) cable cones per side chamber. Enclosures with 46" depth (813mm) are equipped with four (4) 4-inch (101.6mm) cable cones per side chamber.

2.3.10 Protection Options

- **M307 100** - pair protection blocks with multiple wiring patterns and connectors are available.

3 Preparation and Precautions

3.1 Installation Overview

The following is the recommended sequence for the installation and start-up procedures. The sequence may change according to job and site conditions.

1. Ensure all site drawings and approvals are in place.
2. Obtain the recommended tools and test equipment.
3. Read the "Safety and Precautions" section carefully.
4. Check that all the equipment and materials have been delivered.
5. Proceed with the physical installation of the Vertiv™ XTE 601 outdoor enclosure.
6. Install and verify ground cables.
7. Install and verify the AC power.
8. Install and verify the DC power, if applicable.
9. Install and verify the batteries.
10. Route, splice and verify the OSP fiber and copper cables.
11. Turn-up, verify and adjust the system.

3.2 Tools and Test Equipment

The following tools, test equipment and material may be required for the physical installation of the Vertiv™ XTE 601 outdoor enclosures:

- Can wrench for $\frac{7}{16}$ " socket for 216 door security or T-Handle wrench for hex/pin door security;
- Non-contact voltage detector;
- Digital multimeter (DMM), 0 to 200VDC, 0 to 300 VAC;
- Torque wrench, $\frac{1}{2}$ " drive, recommended;
- Ratchet, $\frac{1}{2}$ " drive, $\frac{3}{8}$ " drive and $\frac{1}{4}$ " drive;
- Socket, $\frac{3}{4}$ " deep, $\frac{1}{2}$ " drive;
- Socket set, range from $\frac{1}{4}$ " to $\frac{3}{4}$ ";
- 3" and 6" extensions, $\frac{1}{2}$ " drive;
- $\frac{5}{16}$ " and $\frac{7}{16}$ " ratchet wrench;
- 36" carpenter's level;
- Lineman's scissors;
- Lineman's strippers;
- Lineman's cutters;
- Crimping tool with dies from #6 AWG to #2 AWG;
- Electrician's insulated screwdrivers, Phillips, No. 1 and 2;
- Electrician's insulated screwdrivers, flat-blade, small and large;
- Insulated $\frac{3}{8}$ ", M6, M8, M10 nut drivers for battery installation;
- Foam sealant (to seal cables entering the enclosure); or approved equivalent.



NOTE! Outside the scope of this document, are the tools to fish, splice and terminate OSP Cables and laptop to setup the power system controller



NOTE! Equipment associated with lifting the enclosures by the eyehooks is listed separately, in a subsequent section.



NOTE! Torque values may be listed and, unless directed otherwise, values are for reference only.

3.3 General Safety and Precautions

The following precautions shall be observed at all times when handling and installing the Vertiv™ XTE 601 outdoor enclosures:

- Observe the general safety precautions against personal injury and equipment damage.
- The procedures outlined in this manual are only recommended guidelines. Ensure that all regional and local codes for safety and wiring are followed.
 - Use listed two-hole compression connectors (lugs) to terminate all ground connections. Selected lug shall match wire and type, and crimped applied as specified by the lug manufacturer.
 - Apply to all ground connections.
 - Insulation of field-wire conductors should be rated no less than 105°C Celsius, and gauge in a manner that is consistent with the CEC and local codes.
- Always use a non-contact voltage detector, when approaching a cabinet, to verify no leaks or shorts are presents on the external body.
- Read “Installing a Concrete Pad” on page 20 in its entirety prior to attempting to handle or secure the enclosure.
- Hard hats and steel-toed boots shall be worn while maneuvering the enclosure.
- Safety glasses should always be on while on-site.
- Safety gloves should be on when working in temperature extremes, with batteries, or with sharp objects, such as bare fiber.
- All electricians, operators and technicians have been trained for the task at hand.
- Keep bystanders away.
- Ensure that all personnel on site are familiar with the first-aid kit location and emergency procedures in the event of an injury.
- Never leave the cabinet unattended. If leaving the site, close and secure the enclosure.
- Follow all admonishments stated throughout document.

4 Opening and Closing The enclosure Doors

This section describes the locking mechanisms on the doors of the enclosure and explains how to open and close the doors. Refer to this section whenever instructed to open or close enclosure doors.

4.1 Available Latch Types

Vertiv™ XTE 601 Dual Bay outdoor enclosures can be equipped with one of two locking mechanisms; either $\frac{1}{4}$ turn security latches (Figure 4.1) or a handle, 3-point rod-latch system (Figure 4.2). When $\frac{1}{4}$ turn security latches are specified, one latch per door will be equipped with a bracket for customer supplied padlock. The handle latch also includes provisions for a customer supplied padlock. Both can be keyed to accept either a 216 or hex with pin security tool.

Figure 4.1 1/4-Turn Security Latches

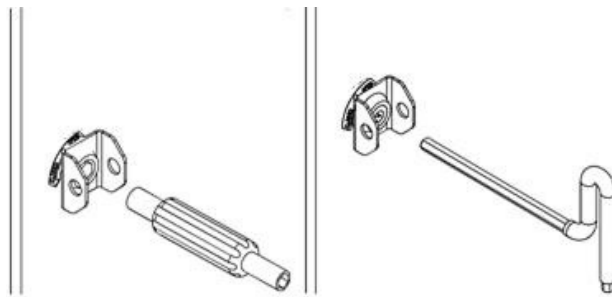
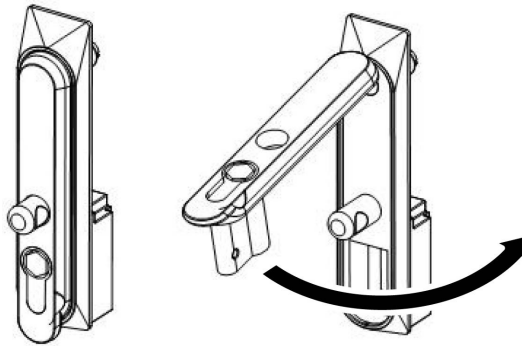


Figure 4.2 Swinghandle Latch with Provision for Padlock

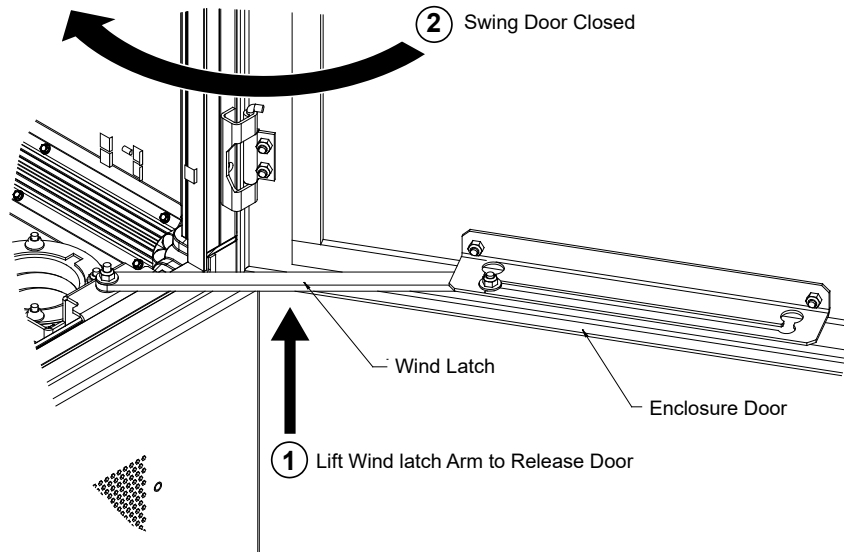


4.2 Opening a Door

Perform the following steps to open a door:

1. If required, unlock and remove the padlock from the front door latch.
2. Use the appropriate tamper-resistant wrench and turn the bolt a few degrees counter-clockwise to release the latch.
3. If using the handle latch, lift the latch to open the door.
4. Secure the wind latch at the bottom of the door by opening the door wide enough to engage the bushing on the end of the wind latch arm into the hole at the end of the slot in the wind latch bracket (Figure 4.3). The door is now secured.

Figure 4.3 Securing the Wind Latch Assembly

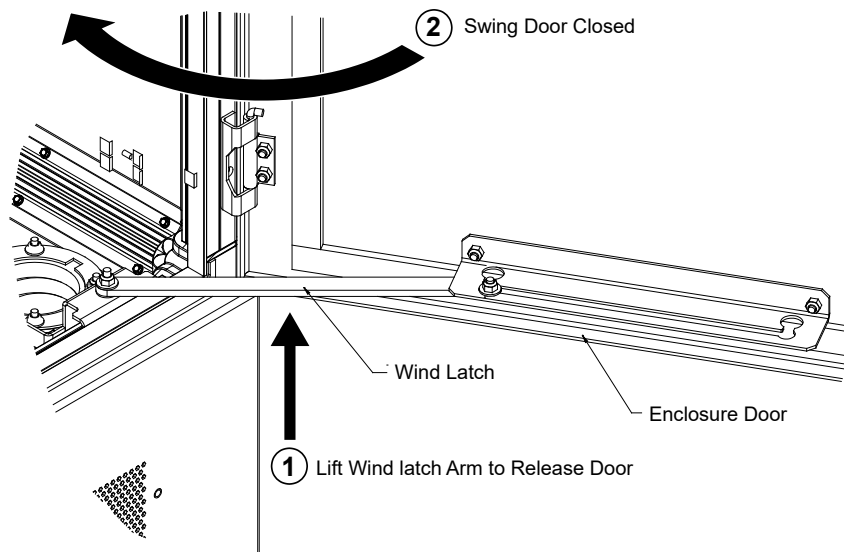


4.3 Closing a Door

Perform the following steps to close the door:

1. Lift the wind latch arm to release the shoulder from the hole in the bar so it can slide. See **Figure 4.4**.
2. Close the door.
3. While holding the door closed, rotate the $\frac{1}{4}$ -turn security bolt one-quarter turn (90 degrees) toward top or bottom of the enclosure and lower the door latch into the lock bed (handle only).
4. Lock the door as required.
5. If required, replace padlock.

Figure 4.4 Releasing the Wind Latch Assembly



5 Site Selection

Consider the following when selecting an existing pad or platform for enclosure placement:

- The enclosure may be installed on a new or existing concrete pad or metal platform. Obtain rights-of-way and other permits (building permit, electrical permit, etc.), depending on local codes and authorities, prior to installing the enclosure.
- The mounting pad or platform must be installed (according to local practices) before the enclosure can be installed.

Consider the following when deciding on the location for the rooftop site:

- Obtain all necessary building permits and other local approvals as necessary per local building codes.
- Select locations that will provide enough space to place the mounting platform and enclosure, and provide safe working conditions.
- Select locations where there are no electrical lines that could touch the enclosure and energize it.

Consider the following when deciding on the location for the concrete pad or platform:

- Place the enclosure on servitudes, on dedicated (recorded) easements, or on property owned by the company. Avoid any unrecorded easements.
- Use public safety road and street rights of way only where there is enough space to place the enclosure and provide safe working conditions. The enclosure should be easily accessible with adequate parking to ensure safety for people and vehicles. Place the enclosure where it will not create a visual or physical obstruction to either vehicles or pedestrians.
- Select locations that will minimize accidental or intentional vandalism. Consider the use of protective posts when the enclosure is located near parking areas where vehicles could back into it. Do not place the enclosure in ditches or areas subject to flooding. Do not place the enclosure in an area where the pad is subject to vehicle loads.
- Place the enclosure at least 42 inches (106.68 cm) away from any obstruction, fence, hedge, etc. Include adequate area for craft personnel to perform maintenance procedures.
- If an area is subject to frost, choose a site free of heaving.



ALERT! All enclosure grounding and ground ring must be installed prior to turn up of enclosure.

6 Transportation and Storage



WARNING! UNSECURED ENCLOSURES CAN TIP OVER PRESENTING A RISK OF INJURY OR EQUIPMENT DAMAGE.

Follow all appropriate local safety and handling practices when transporting the enclosure to a staging or installation site, or when storing it.



NOTE! *The enclosure is shipped in protective packaging on a wooden pallet. If ordered, batteries will be shipped on a separate pallet.*



ALERT! To avoid possible damage to the enclosure, do **not** remove the packaging or pallet from the enclosure until it is delivered to the installation or staging site. Do not stack units for transportation or during storage.



ALERT! Avoid stacking of enclosures while in transportation or storage as damage may result.



ALERT! If the covering on the package appears excessively damaged, do **not** accept the enclosure from the shipper. The damaged packaging may be an indicator that the interior of enclosure is damaged even though the exterior may seem fine.

When the components are on a pallet, use lifting equipment, such as a crane or forklift, appropriately rated for the weight of the load to raise the enclosure and pallet.

Store the enclosure upright to avoid possible damage.

7 Installing a Concrete Pad



WARNING! When pad mounting, the compression strength of the concrete pad used must be a minimum of 4000 psi as determined by ASTM C39 test of compression strength of concrete cylinders.

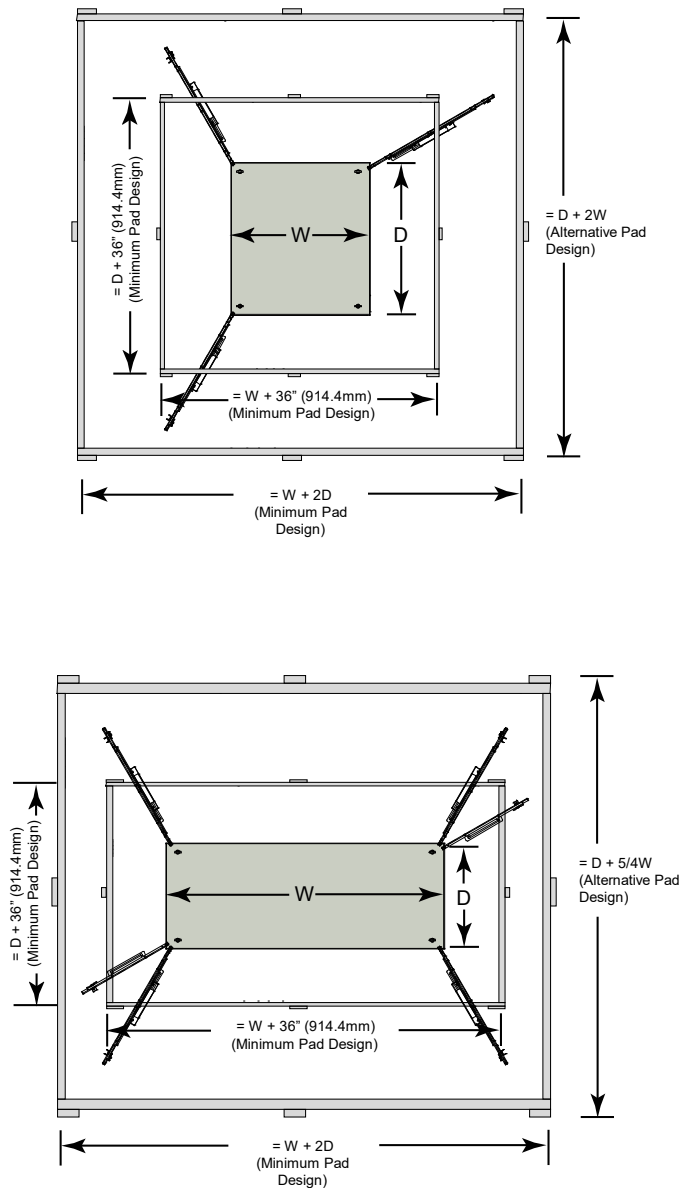


ALERT! Due to varying enclosure sizes, before pouring concrete, confirm the pad template is properly sized for the enclosure that will be installed.

The enclosures can be installed on a concrete foundation pad, which is either pour-in-place or precast. Use concrete only for the foundation pad as substitute materials, such as reinforced plastics lack the rigidity required for enclosure placement.

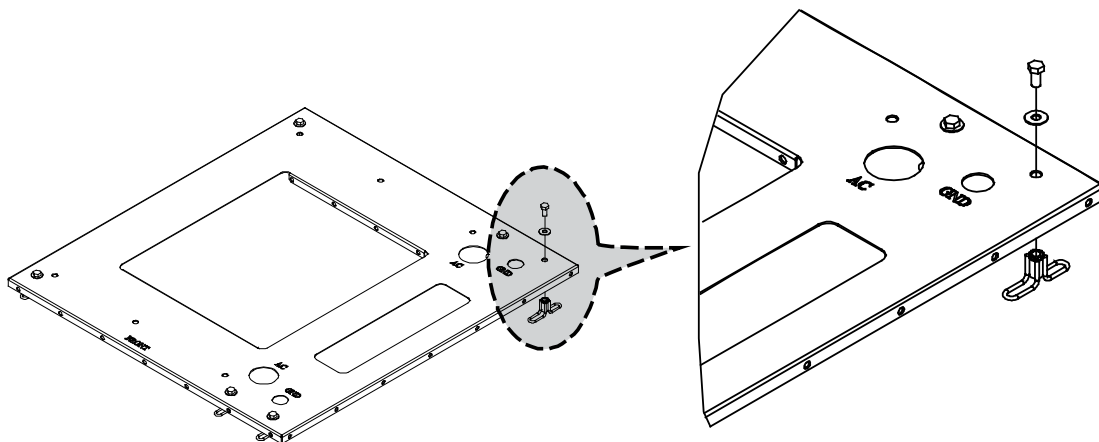
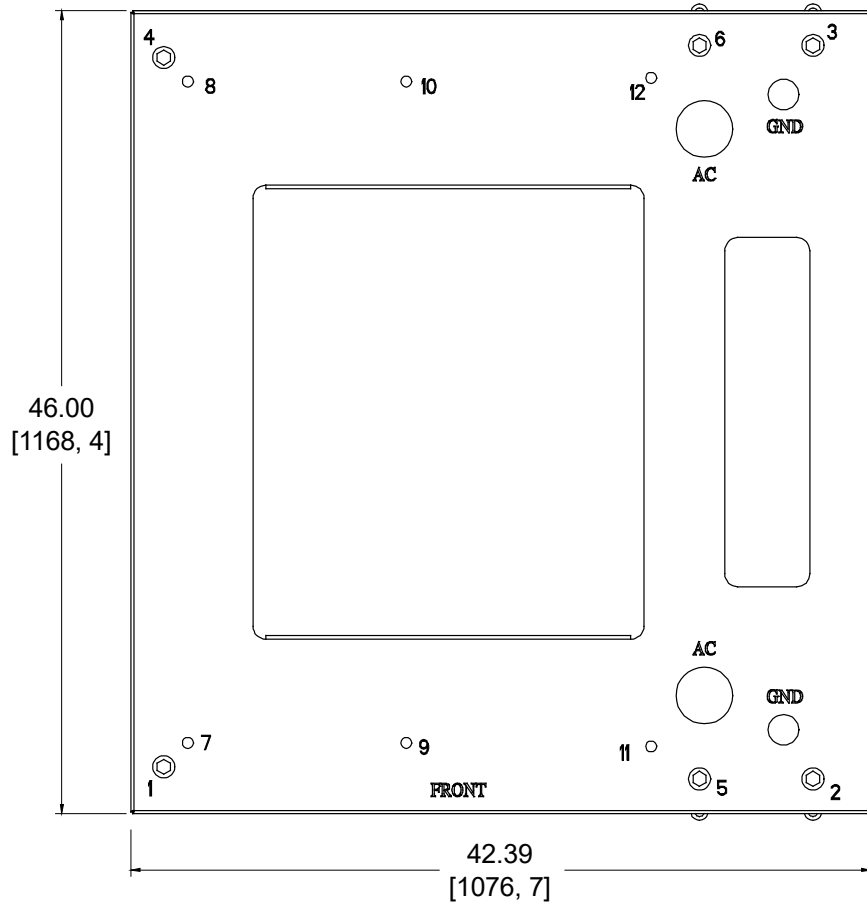
Referring to Figure 7.1, determine the proper pad size for your application and space available. The MINIMUM recommended pad size extends 18" (457.2mm) past all sides of the enclosure. If space permits and it is desired, a larger pad can be constructed thus providing area to walk around the installed enclosure.

Figure 7.1 Foundation Pad Design (Minimum and Alternative Design Shown)



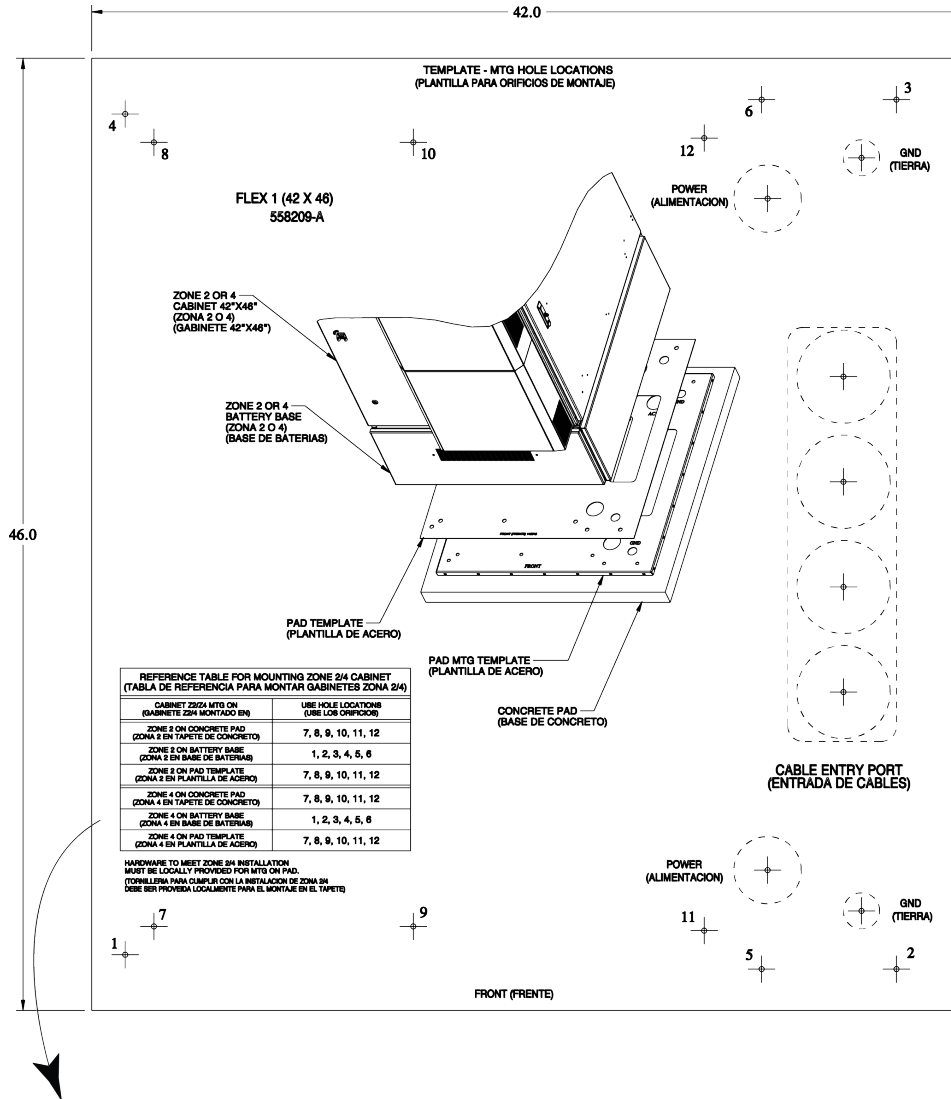
Referring to Figure 7.2 through Figure 7.6 as appropriate for your application, note conduit and mounting locations.

Figure 7.2 Pour-in-Place Pad Template Diagram inches (42Wx46D), mm (1067Wx1171D)



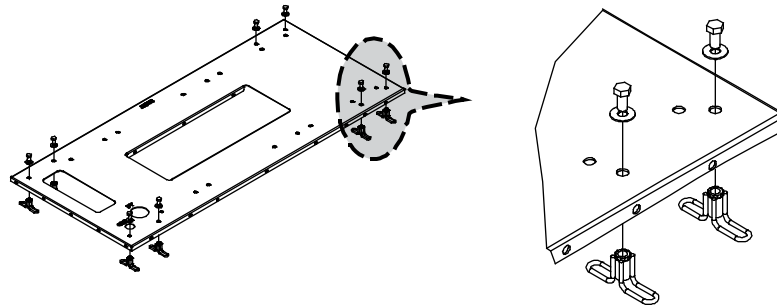
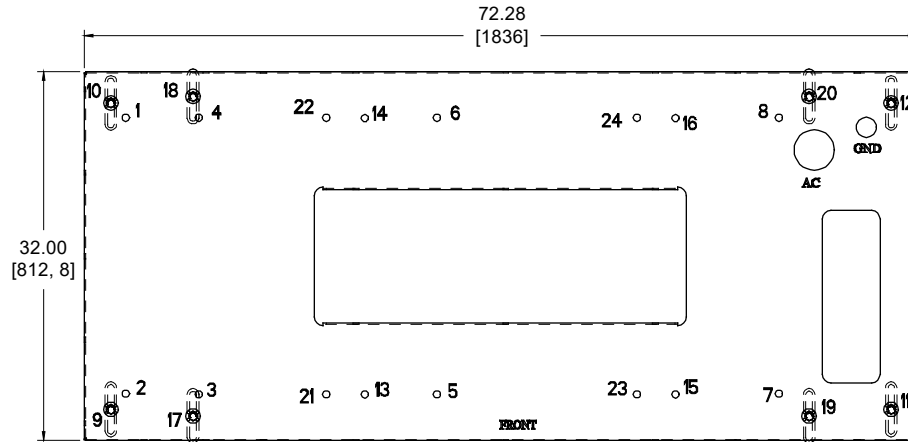
NOTE! Use table on Drill Template (P/N 558209). See Figure 7.3 for locating correct mounting holes. Place hardware as shown in Figure 7.2 prior to placing the Pour-in-Place Pad Template.

Figure 7.3 Drill Template (P/N 558209) 42"Wx46"D (1067Wx1171D) Cabinet



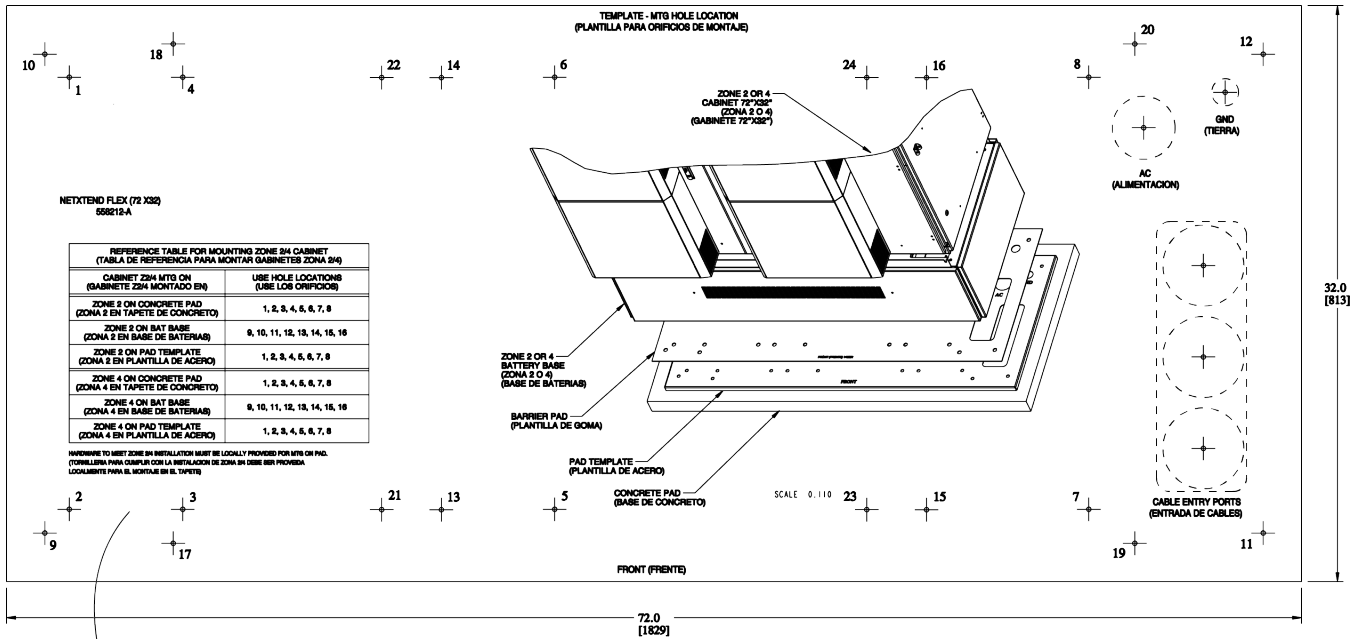
REFERENCE TABLE FOR MOUNTING ZONE 2/4 CABINET (TABLA DE REFERENCIA PARA MONTAR GABINETES ZONA 2/4)	
CABINET Z2/Z4 MTG ON (GABINETE Z2/4 MONTADO EN)	USE HOLE LOCATIONS (USE LOS ORIFICIOS)
ZONE 2 ON CONCRETE PAD (ZONA 2 EN TAPETE DE CONCRETO)	7, 8, 9, 10, 11, 12
ZONE 2 ON BATTERY BASE (ZONA 2 EN BASE DE BATERIAS)	1, 2, 3, 4, 5, 6
ZONE 2 ON PAD TEMPLATE (ZONA 2 EN PLANTILLA DE ACERO)	7, 8, 9, 10, 11, 12
ZONE 4 ON CONCRETE PAD (ZONA 4 EN TAPETE DE CONCRETO)	7, 8, 9, 10, 11, 12
ZONE 4 ON BATTERY BASE (ZONA 4 EN BASE DE BATERIAS)	1, 2, 3, 4, 5, 6
ZONE 4 ON PAD TEMPLATE (ZONA 4 EN PLANTILLA DE ACERO)	7, 8, 9, 10, 11, 12

Figure 7.4 Pour-in-Place Pad Template Diagram inches (72Wx32D), mm (1831Wx813D)



NOTE! Use table on Drill Template (P/N 558212). See Figure 7.5 for locating correct mounting holes. Place hardware as shown in Figure 7.4 prior to placing the Pour-in-Place Pad Template.

Figure 7.5 Drill Template (P/N 558212) 72"Wx32"D (1831Wx813D) Cabinet



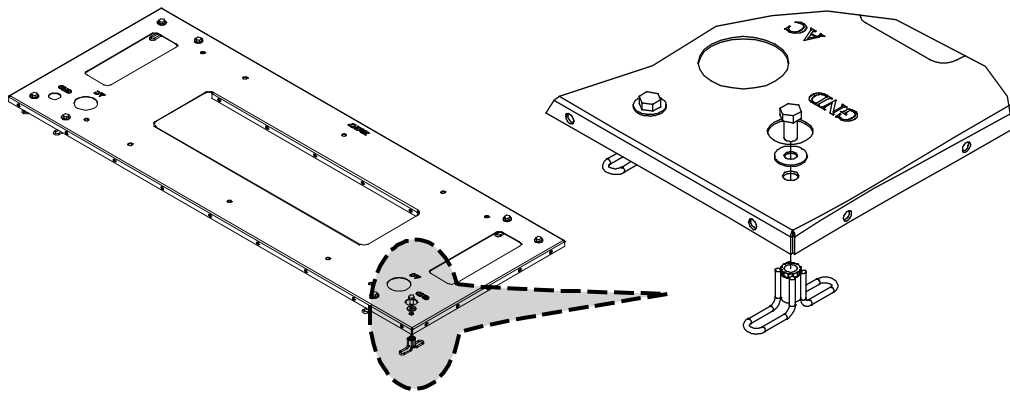
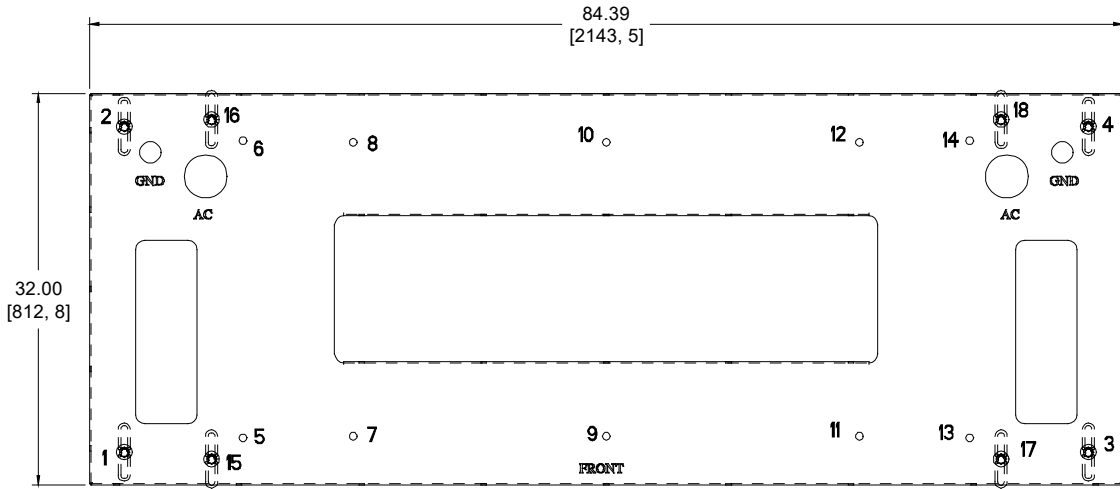
REFERENCE TABLE FOR MOUNTING ZONE 2/4 CABINET
(TABLA DE REFERENCIA PARA MONTAR GABINETES ZONA 2/4)

CABINET Z2/4 MTG ON (GABINETE Z2/4 MONTADO EN)	USE HOLE LOCATIONS (USE LOS ORIFICIOS)
ZONE 2 ON CONCRETE PAD (ZONA 2 EN TAPETE DE CONCRETO)	1, 2, 3, 4, 5, 6, 7, 8
ZONE 2 ON BAT BASE (ZONA 2 EN BASE DE BATERIAS)	9, 10, 11, 12, 13, 14, 15, 16
ZONE 2 ON PAD TEMPLATE (ZONA 2 EN PLANTILLA DE ACERO)	1, 2, 3, 4, 5, 6, 7, 8
ZONE 4 ON CONCRETE PAD (ZONA 4 EN TAPETE DE CONCRETO)	1, 2, 3, 4, 5, 6, 7, 8
ZONE 4 ON BAT BASE (ZONA 4 EN BASE DE BATERIAS)	9, 10, 11, 12, 13, 14, 15, 16
ZONE 4 ON PAD TEMPLATE (ZONA 4 EN PLANTILLA DE ACERO)	1, 2, 3, 4, 5, 6, 7, 8

WARNING TO AVOID ZONE 2/4 INSTALLATION MUST BE LOGICALLY PROVIDED FOR MTS ON PAD.
C/OTALLERAS PARA CABLES CON LA INSTALACION DE ZONA 2/4 USE 800 PROVISION.

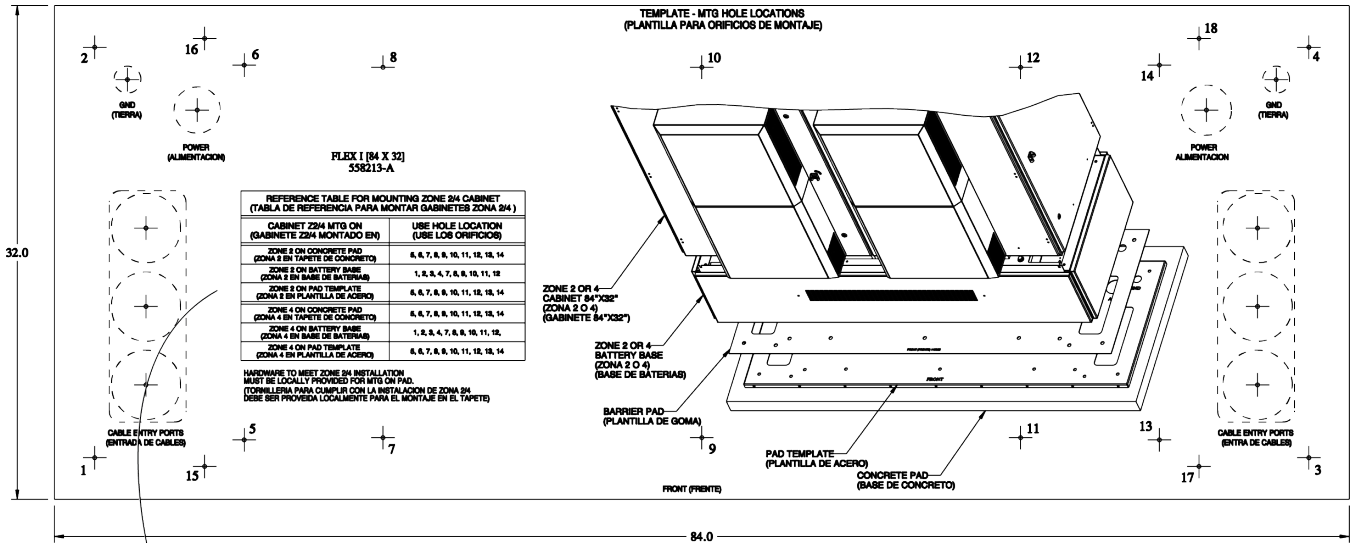
REFERENCE TABLE FOR MOUNTING ZONE 2/4 CABINET (TABLA DE REFERENCIA PARA MONTAR GABINETES ZONA 2/4)	
CABINET Z2/4 MTG ON (GABINETE Z2/4 MONTADO EN)	USE HOLE LOCATIONS (USE LOS ORIFICIOS)
ZONE 2 ON CONCRETE PAD (ZONA 2 EN TAPETE DE CONCRETO)	1, 2, 3, 4, 5, 6, 7, 8
ZONE 2 ON BAT BASE (ZONA 2 EN BASE DE BATERIAS)	9, 10, 11, 12, 13, 14, 15, 16
ZONE 2 ON PAD TEMPLATE (ZONA 2 EN PLANTILLA DE ACERO)	1, 2, 3, 4, 5, 6, 7, 8
ZONE 4 ON CONCRETE PAD (ZONA 4 EN TAPETE DE CONCRETO)	1, 2, 3, 4, 5, 6, 7, 8
ZONE 4 ON BAT BASE (ZONA 4 EN BASE DE BATERIAS)	9, 10, 11, 12, 13, 14, 15, 16
ZONE 4 ON PAD TEMPLATE (ZONA 4 EN PLANTILLA DE ACERO)	1, 2, 3, 4, 5, 6, 7, 8

Figure 7.6 Pour-in-Place Pad Template Diagram inches (84Wx32D), mm (2139Wx813D)



NOTE! Use table on Drill Template (P/N 558213. See Figure 7.7 for locating correct mounting holes. Place hardware as shown in Figure 7.6 prior to placing the Pour-in-Place Pad Template.

Figure 7.7 Drill Template (P/N 558213) 84"Wx32"D (2139Wx813D) Cabinet



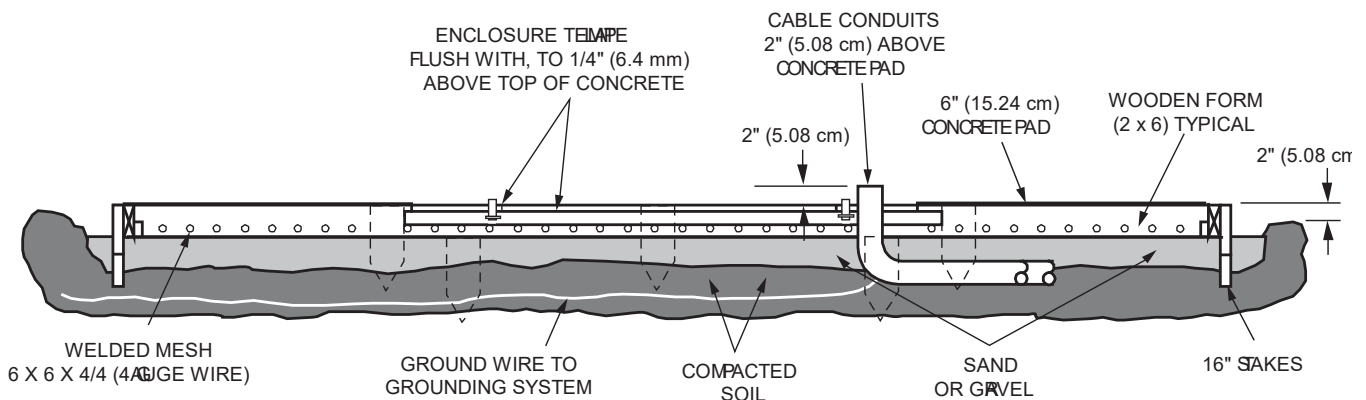
REFERENCE TABLE FOR MOUNTING ZONE 2/4 CABINET (TABLA DE REFERENCIA PARA MONTAR GABINETES ZONA 2/4)	
CABINET Z2/4 MTG ON (GABINETE Z2/4 MONTADO EN)	USE HOLE LOCATION (USE LOS ORIFICIOS)
ZONE 2 ON CONCRETE PAD (ZONA 2 EN TAPETE DE CONCRETO)	5, 6, 7, 8, 9, 10, 11, 12, 13, 14
ZONE 2 ON BATTERY BASE (ZONA 2 EN BASE DE BATERIAS)	1, 2, 3, 4, 7, 8, 9, 10, 11, 12
ZONE 2 ON PAD TEMPLATE (ZONA 2 EN PLANTILLA DE ACERO)	5, 6, 7, 8, 9, 10, 11, 12, 13, 14
ZONE 4 ON CONCRETE PAD (ZONA 4 EN TAPETE DE CONCRETO)	5, 6, 7, 8, 9, 10, 11, 12, 13, 14
ZONE 4 ON BATTERY BASE (ZONA 4 EN BASE DE BATERIAS)	1, 2, 3, 4, 7, 8, 9, 10, 11, 12,
ZONE 4 ON PAD TEMPLATE (ZONA 4 EN PLANTILLA DE ACERO)	5, 6, 7, 8, 9, 10, 11, 12, 13, 14

Referring to Figure 7.8, prepare a form per the following steps. Follow local practices or building codes if different than the information included in this section:

1. If the soil is not firm, compact it per local practices. For a typical installation, excavate the foundation hole to a depth of 12 to 15 inches (30.48 to 38.1 cm).
2. Construct a level base for the pad, using a minimum of 6 inches (15.24 cm) of sand or gravel. The pad should be level to within $\frac{1}{4}$ -inch (6.35 mm) over the entire length and width.

NOTE! Square and level the template(s) on the stakes so the tops of the mounting plates are flush with, or no more than 0.25" (1/4-in). (6 mm) above, the top of the pad. Square the template(s) so the diagonal measurement between the anchor bolts is equal.

Figure 7.8 Ground Level View of Typical Pad Construction



3. Dig a trench where the cable and electrical conduit will rise into the enclosure. Excavate trenches to a depth of 30 inches (76.2 cm) for a standard installation, and 60 inches (152.4 cm) for areas where there is heavy frost.
4. Install a ring ground system around the proposed foundation pad in accordance with local practices and safety codes.
5. Place the wire mesh (5 x 4, 4 gauge) in the form according to local codes. Be sure the wire mesh is centered vertically.

NOTE! No. 3 (3/8-inch or 9 mm) or larger reinforcing rod, placed on 15-inch (38.1 cm) centers may be used in place of wire mesh.

NOTE! Before pouring the concrete, be sure that all the wire mesh or reinforcing bars are set approximately 2 inches (5.08 cm) off the bottom of the form.

6. If required per local codes, treat the area below the pad and for two feet (60.96 cm) around the perimeter against insect infestation.
7. Pour the concrete.
 - Use a high-early strength concrete mix so the enclosure may be placed three days following concrete pouring.
 - Coarse aggregate used in the concrete shall be graded from $\frac{3}{4}$ -inch (1.9 cm) to No. 4 only.
 - The compression strength of the concrete must be a minimum of 4000 psi as determined by ASTM C39 test of compressions strength of concrete cylinders.
8. Cure the pad in a moist environment for a minimum of three days before enclosure installation, or according to the type of concrete used, and/or local practices. After the second day, the forms may be removed.

7.1 Unpacking the Enclosure



CAUTION! Do **not** open the door with door mounted climate control systems unless the enclosure is secured to the pallet or the mounting surface. An unsecured enclosure is unstable and could tip over causing injury or equipment damage.

Inspect the outside of the enclosure to be sure there is no shipping damage. If there is damage, note where the damage is and how much damage there is. Follow local practices for reporting and handling damaged goods. Do not proceed with the installation. If the enclosure appears undamaged, go on to unpack and install the enclosure.

Carefully remove all packaging material from around the enclosure and the pallet. Dispose of the packaging according to local practices. **DO NOT REMOVE THE PALLET UNTIL THE ENCLOSURE IS READY TO BE MOUNTED.**



NOTE! Do not install the enclosure or support any significant load before the pad is completely cured.

7.2 Lifting Preparation



CAUTION!

- Follow all local safety practices while lifting the enclosure. Wear all locally approved safety gear.
- Keep bystanders away from work operations at all times.
- All persons working with lifting equipment must wear standard safety headgear, eye protection, and (when required) gloves.
- Only properly trained operators shall operate the crane. Do not operate the crane until all stabilizers are extended and in firm contact with the ground or other adequate support structure. Do not retract or extend the stabilizers when the enclosure is suspended from the crane.
- Do not lift the enclosure over people. Do not let anyone work, stand, or pass under a lifted enclosure.
- The forklift must be rated at 4,000 lbs (1814 kg).
- **RISK OF ELECTROCUTION.** Do not allow the lifting equipment or enclosure to touch any electrical wiring or equipment.

7.2.1 Equipment Required

- One hoist or crane capable of lifting 4,000 lbs (1814 kg).



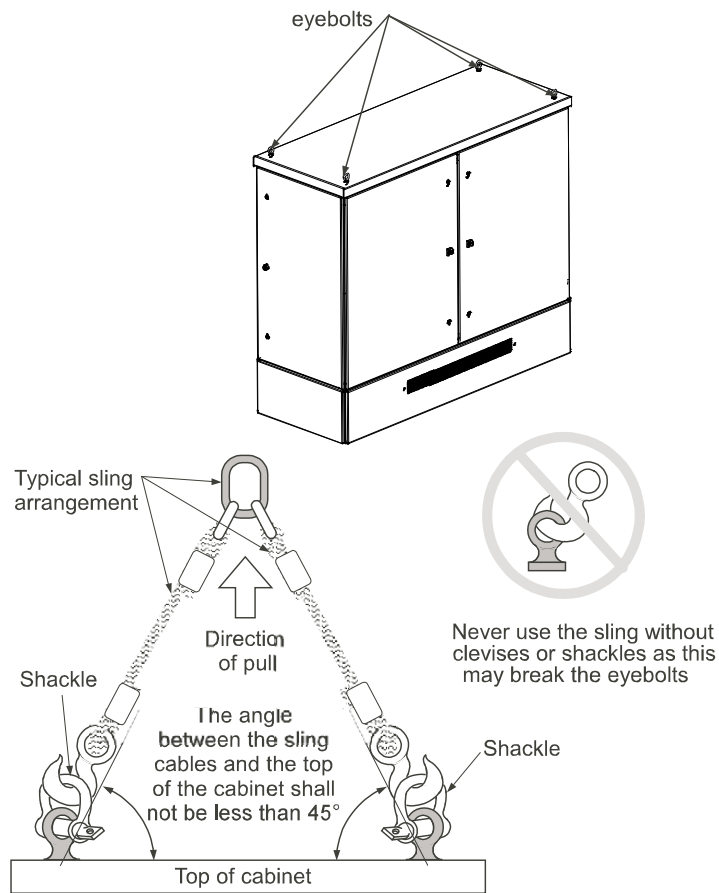
ALERT! Do **not** lift the enclosure with batteries installed.



WARNING! The maximum enclosure weight when lifted shall not exceed 2,200 lbs (998 kg).

- Four wire-rope slings, 4-ft. (1.2 m) long (minimum). Each sling should have 1,500 lb. (680.39 kg) capacity.
- Four connecting links (clevises), to attach the wire-rope slings to the enclosure lifting plates.
- A 75-ft. (22.86 m) rope, $\frac{5}{8}$ inches in diameter, to use as a tagline. A tagline guides the enclosure into position while it is lifted.

Figure 7.9 Lifting the Vertiv™ XTE 601 Dual Bay Outdoor Enclosure



7.3 Mounting Preparation

1. While the enclosure is secured to the pallet, use the 216-type or Hex with Pin security tools to open the door.

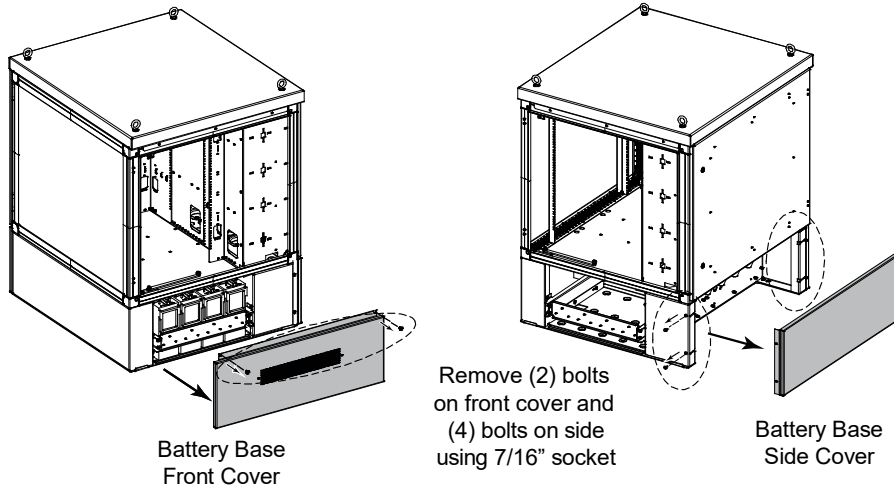


CAUTION! The door with the climate control systems is very heavy. Do not lean or pull on it.

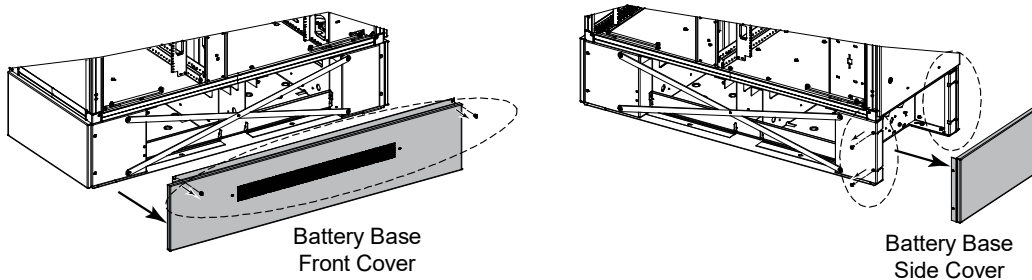
2. If so equipped, remove the bolts from the front battery base cover and set aside for re-use. See **Figure 7.10**. For the 2 side chamber enclosure, open a small door to access one of the bolts.
3. If equipped with battery base, remove side access cover by removing (2) bolts using $\frac{7}{16}$ " socket. See **Figure 7.10**. For the 2 side chamber enclosure, remove both side access covers.
4. Remove each cable cone from the enclosure floor by removing the $\frac{1}{4}$ " hardware. Remove and set the cable cones safely aside for later reattachment.
5. Clean any debris from the concrete pad.
6. Remove the rubber gasket from the enclosure and install to concrete pad to prevent corrosion between the concrete pad and the enclosure mounting surfaces. The gasket should be placed to match cutouts are in position around the conduit openings, and over the anchor bolts.
7. Close and latch the doors in preparation for enclosure placement.

Figure 7.10 Battery Base Front and Side Cover Removal

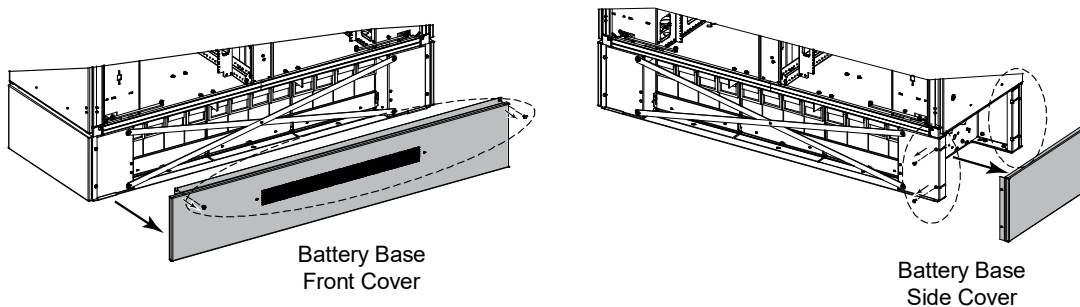
Enclosure with One Side Chamber
(Front and Rear Equipment Chambers)



Enclosure with One Side Chamber
(Side by Side Equipment Chambers)



Enclosure with Two Side Chambers
(Side by Side Equipment Chambers)



Front doors were removed in illustration for clarity.

8 Pad Mounting

Perform the following procedure to pad mount the Vertiv™ XTE 601 Dual Bay outdoor enclosure.

1. Refer to "Installing a Concrete Pad" on page 20 for recommended concrete pad construction.
2. Clean all litter from the foundation pad surface.
3. Dress the cable/conduit so that it will easily enter the enclosure as it is being lowered onto the foundation pad.
4. Remove the anchor bolts and washers from the foundation pad. Set the hardware aside to attach the enclosure to the pad.
5. Place guide pins in pad template or at mounting locations as shown in Figure 8.1 through Figure 8.3.



ALERT! During lifting, the enclosure must be lowered so that the enclosure is level and parallel to the pad surface. Place the enclosure so that it lines up with the anchor bolts. Make sure the enclosure is clear of the conduits in the foundation pad.

6. Place the enclosure on the pad. Loosen the slings so that the full weight of the enclosure is on the pad. Check to be sure the enclosure is properly lined up on the pad.
7. To secure the enclosure (or enclosure with battery base) to the pad, install (4) 0.5-13 ($1/2$ -13) bolts with washers and lock washers into the bottom flange. Tighten all bolts securely. See Figure 8.1 through Figure 8.3.
8. When the enclosure is secured, remove the slings, the tagline, and the lifting eyebolts. Replace the eyebolts with the nylon hex-head bolts included in the enclosure loose parts package.



ALERT! If the enclosure will not be powered up for an extended period, place a heat source, such as two 150W light bulbs wired in parallel inside the enclosure to prevent condensation.

Figure 8.1 Attaching Vertiv™ XTE 601 to Pad 42Wx46D Enclosure with One Side Chamber (Enclosure with battery base shown. Enclosures without battery base similar except inner mounting holes used. Refer to pad template.)

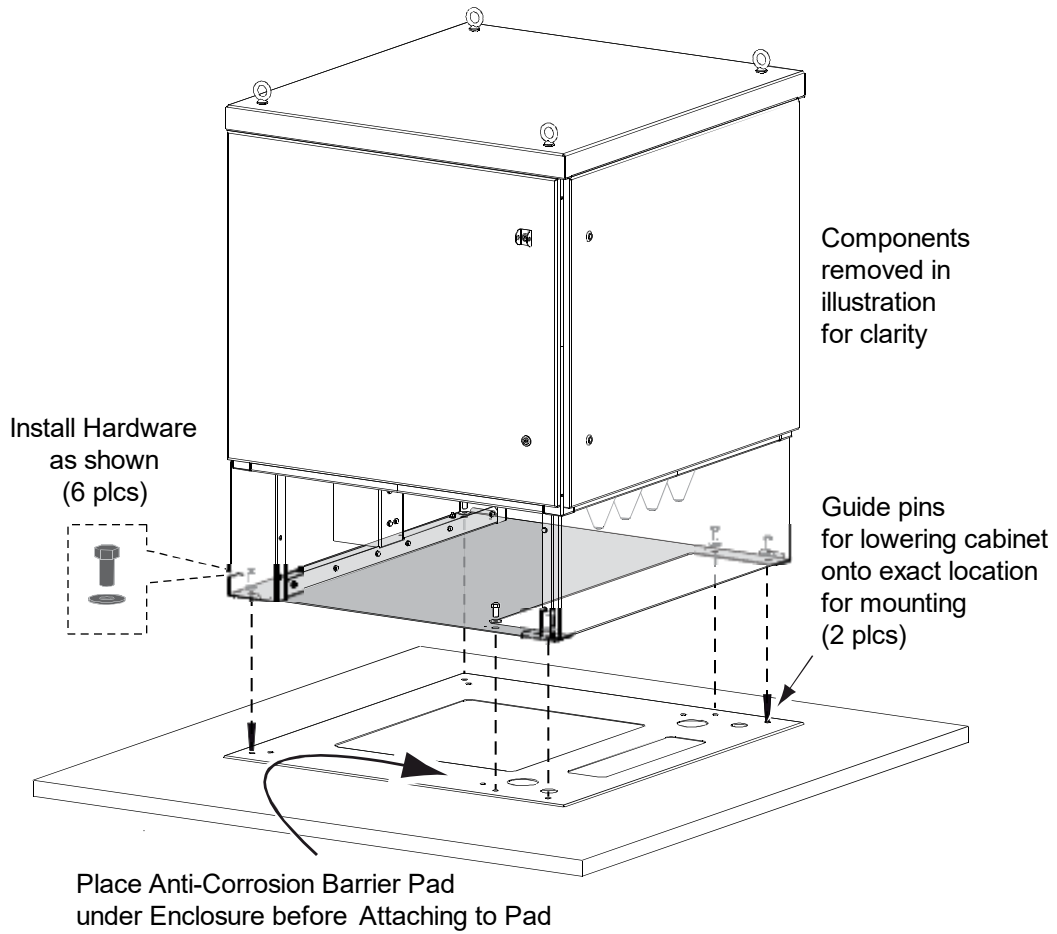


Figure 8.2 Attaching Vertiv™ XTE 601 to Pad 72Wx32D Enclosure with One Side Chamber (Enclosure with battery base shown. Enclosures without battery base similar except inner mounting holes used. Refer to pad template.)

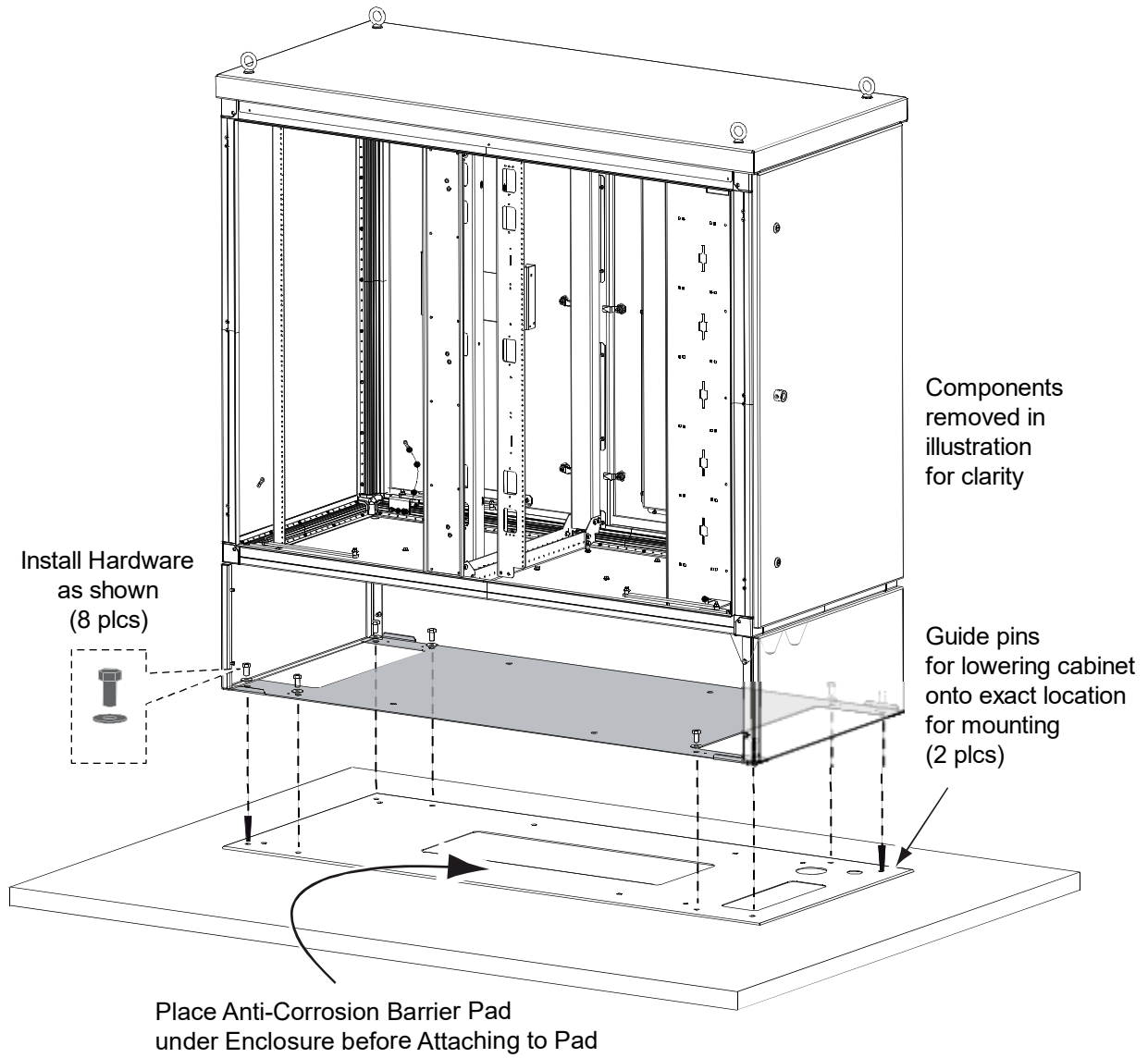
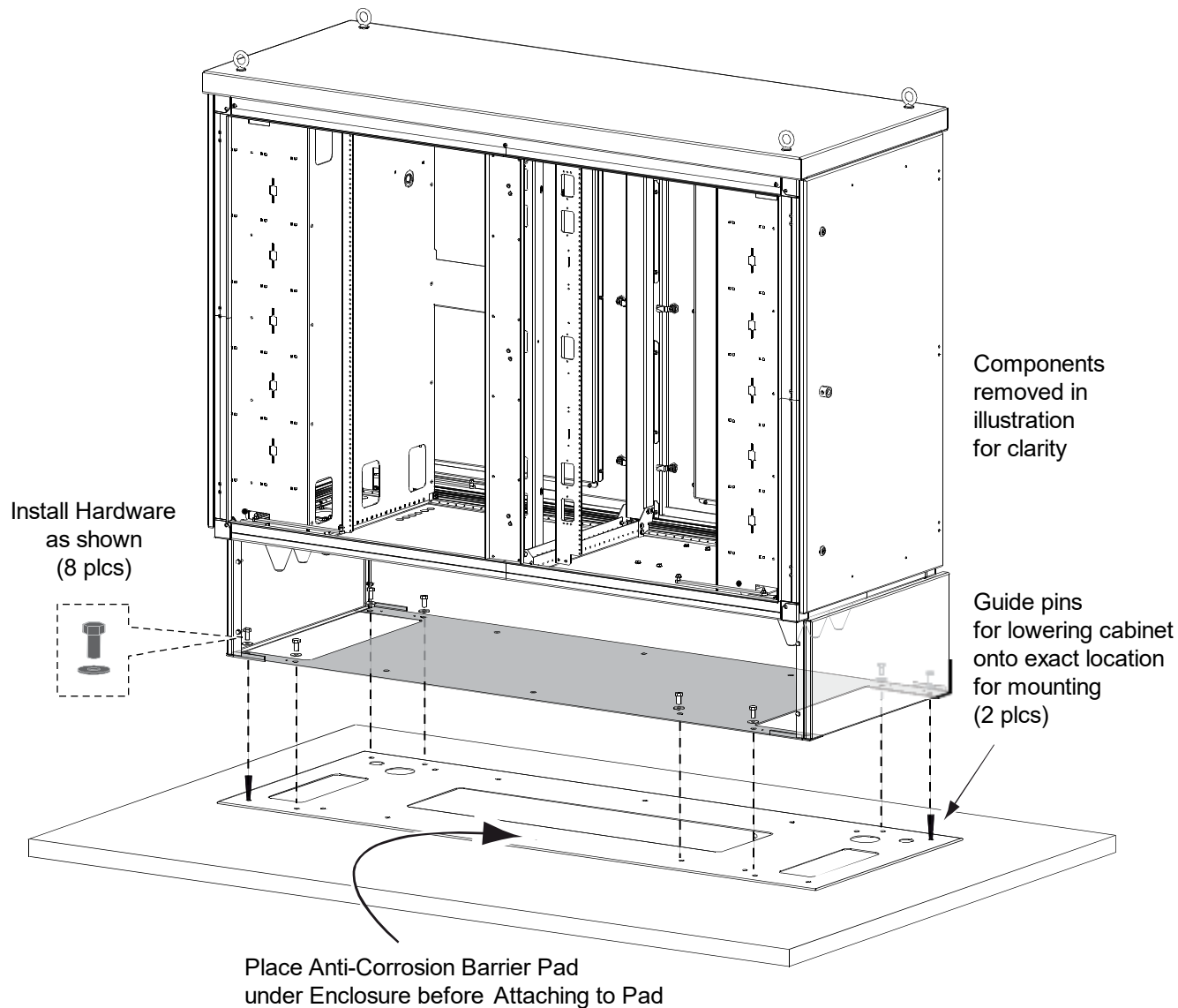


Figure 8.3 Attaching Vertiv™ XTE 601 to Pad 84Wx32D Enclosure with Two Side Chambers (Enclosure with battery base shown. Enclosures without battery base similar except inner mounting holes used. Refer to pad template.)



9 OSP Cable Installation

9.1 General



DANGER! Risk of Electrical Shock, OSP Cables

If joint buried cables are used, check the cable sheath for voltage in accordance with local standards. If voltage is detected, do not proceed with the installation. Contact the supervisor and do not proceed until the voltage hazard is eliminated.



NOTE! *The following procedures are recommendations only, and are performed in conjunction with the procedures and training that adhere to local practices.*

9.2 Installing Copper and Fiber Cables

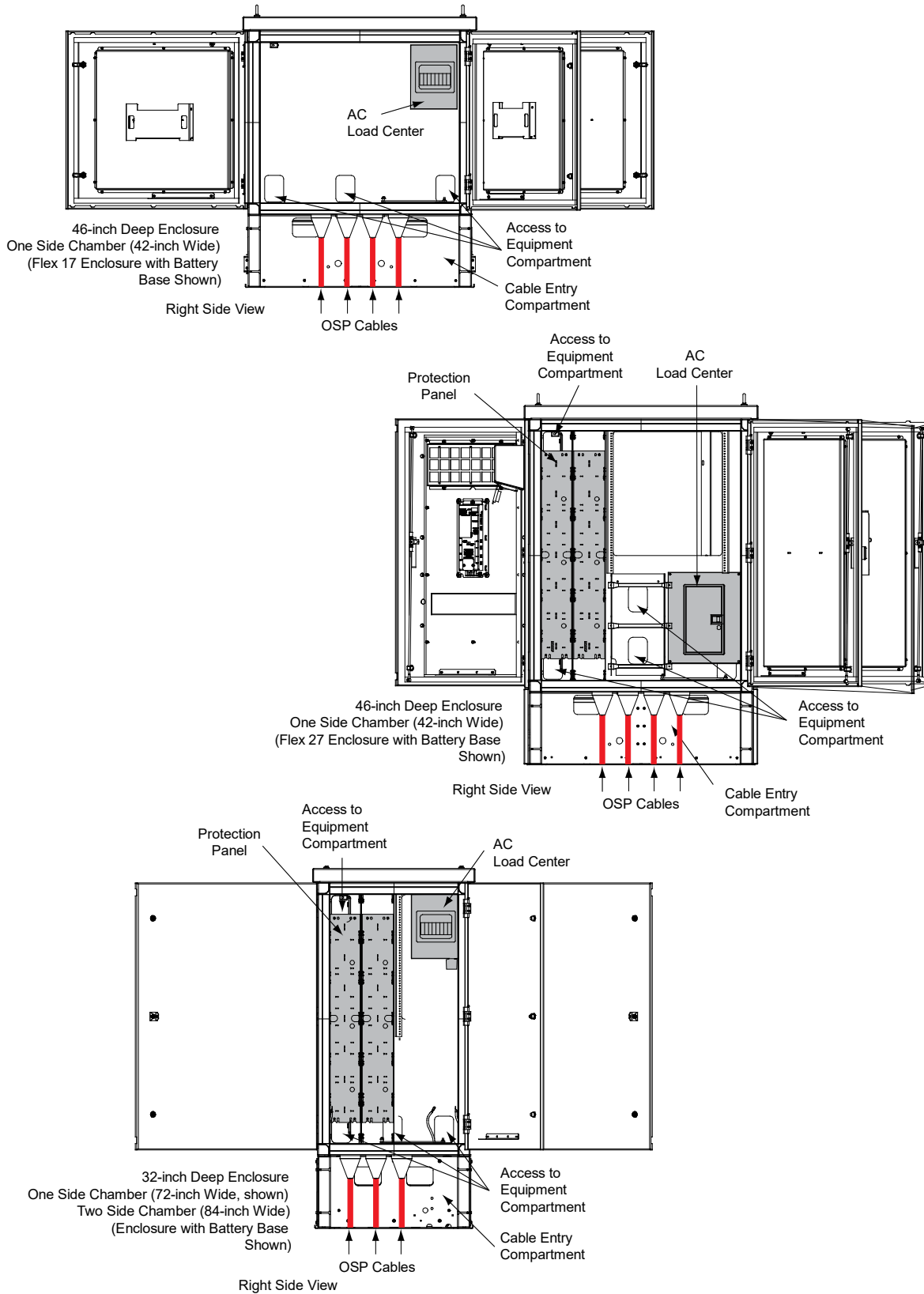


NOTE! *Enclosures with one side chamber (42-inch and 72-inch wide) are equipped with 4-inch cones in the right side cable entry compartment. Enclosures with two side chambers (84-inch wide enclosures) are equipped with 4-inch cones in the right and left side cable entry compartments.*

Enclosures with a depth of 32-inch are equipped with three (3) cones in the side cable entry compartment(s).

Copper and fiber cables are typically run as illustrated in Figure 9.1.

Figure 9.1 Typical OSP Cable Routing



9.2.1 Installing Copper Cables

Install copper cables as described in the following procedure. Refer to Figure 9.1 for typical routing.

1. Cable access covers and cable cones were removed in “Mounting Preparation” on page 29. Cable cones will be installed after cable installation. See “Sealing Cable Entries” on page 40.
2. Debark a minimum of 4 feet (1.3m) of OSP Copper Cable as required.
3. Wipe and clean the conductor bundle.
4. Verify no cable have been damaged, nicked, or crimped beyond normal use.
5. Cut and expose the cable’s ground shield as required.
6. In accordance to company procedures, install a bond clamp to the cable’s ground shield.
7. Apply #6 AWG wire from the newly installed bond clamp to the enclosure’s Main Ground Bar. Follow all grounding practices, including use of No-Ox and double-hole lugs.

9.2.2 Splicing Copper Cables

Protector stubs may already be connectorized and arranged on the splicing support bars or lance panel. An identifying tag shows the pair count of each splicing module (see Figure 9.2).

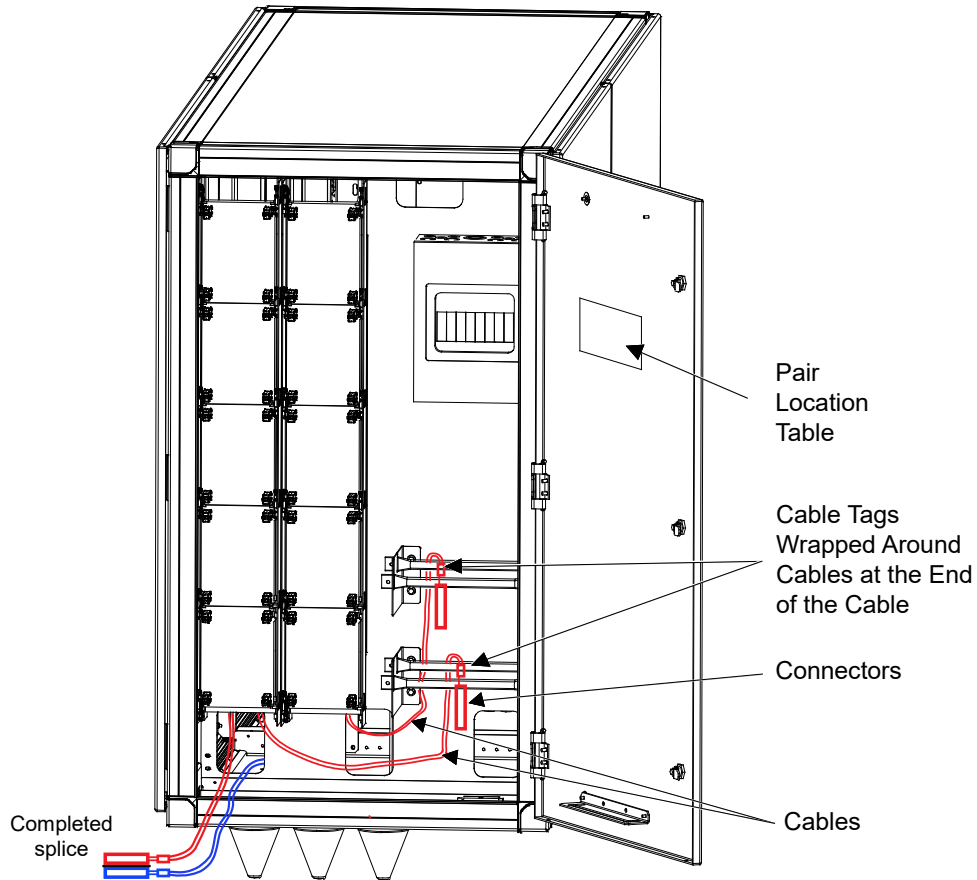


ALERT! Do **not** remove the identification tags from the splicing modules.

1. If protection panels are furnished:
 - a) Prepare the cable group – install binder group identification ties and remove the unit binders.
 - b) Pull the cabinet cables out.
 - c) Using drawings provided with enclosure or the protection pair count allocation label located on the inside surface of the equipment chamber rear door or the side chamber (splice area), arrange the appropriate OSP cable pairs with their corresponding protector stub cable pairs on the splicing support bars.
 - d) Splice, following local practices with the matching OSP MS2 or 710 termination, referring to the cable tags.
 - e) Record splice pair count information to label.
 - f) Dress and secure the cables.
2. Refer to “Sealing Cable Entries” on page 40 and seal all cable grommets and cones.

Figure 9.2 Splicing Details

Flex 27 - 84W x 32D side chamber
with 8P Load Center Showing
Cables with Label Tags



3. If protection panels are furnished:
 - a) Prepare the cable group - install binder group identification ties and remove the unit binders.
 - b) Pull the enclosure cables out.
 - c) To the incoming OSP cables, splice with matching terminations.
 - d) Mate to the matching set, referring to the label on the cable.
4. Dress and secure the cables.
5. Refer to "Sealing Cable Entries" on page 40 and seal all cable grommets and cones.

9.2.3 Installing Fiber Cables

Install fiber cables as described in the following procedure. Refer to Figure 9.1 for typical routing.

1. Cable access covers and cable cones were removed in “Mounting Preparation” on page 29. Cable cones will be installed after cable installation. See “Sealing Cable Entries” on page 40.
2. If cable is not pre-terminated, then...
 - a) Temporarily route the fiber cable into the equipment chamber, allowing for routing/splicing as required, and then mark the place the fiber will be clamped.
 - b) Debark the fiber cable as required.
 - c) Secure in accordance to company procedures, any manifold or fan-out at the breakout.
3. If the fiber cable includes a ground sheath, apply a #6 AWG wire to the breakout, in accordance to company procedure.
4. From the enclosure accessories, apply the protective corrugated tubing around the "exposed" fibers. (Local procedures may require an additional internal protective tube.)
5. Secure the protective corrugated tubing at the breakout.
6. Route the OSP fiber cable loop, passing the corrugated tube into the equipment chamber.
7. Secure the OSP fiber cable.
 - a) The fiber cable breakout is secured just beyond fiber clamp.
 - b) Lances are typically available on the equipment rails.
 - c) If fiber cable includes a ground, run and bond the #6 AWG ground wire to the Main Ground Bar. Follow all grounding practices, including use of No-Ox and double-hole lugs.
8. Secure the protective corrugated tubing in the equipment chamber.
9. The fibers are ready to be sliced or terminated, in accordance to local tools and practices.
10. Refer to “Sealing Cable Entries” on page 40 and seal all cable grommets and cones.

9.3 Sealing Cable Entries

In keeping with local practices, seal all cable grommets and cones.

It is extremely important to maintain a well-sealed enclosure. Failure to do so can jeopardize the enclosure sensitive electronics, as well as the proper functioning of enclosure systems. All cable interfaced into the enclosure must be properly sealed after installation of cables.

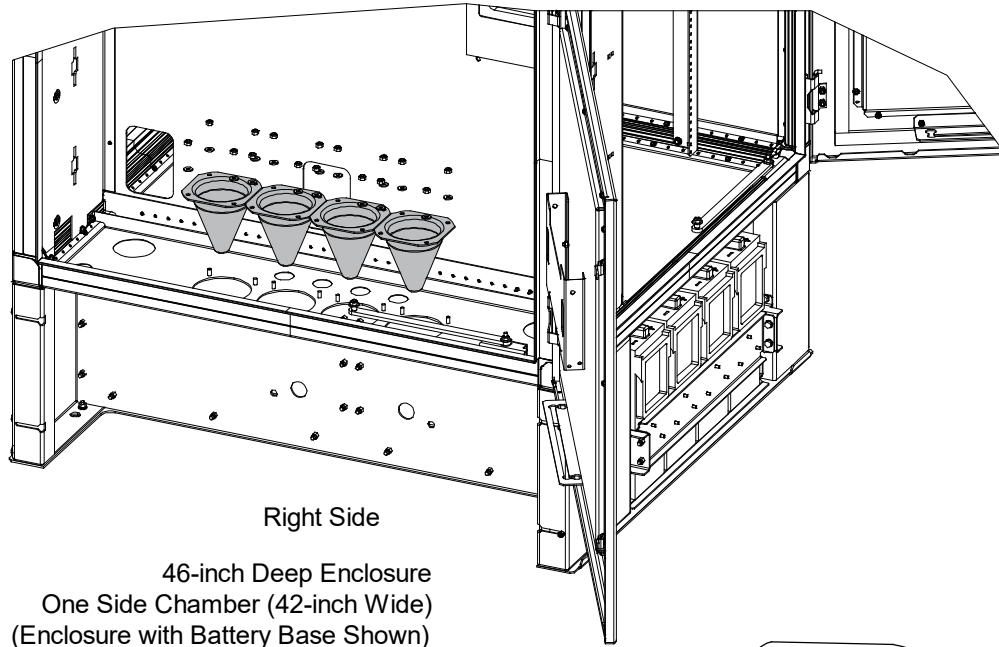
The rubber 4-inch OSP cable boots (in enclosures with one or two side chambers) are removed and reinstalled with the cables.

It is suggested to use duct sealing foam to seal cables entering the enclosure via the cable cones, as described in the following procedure.

Refer to Figure 9.3.

1. Determine the cable bundle diameter and cut the OSP cable rubber boots to provide same-size opening.
2. Raise the cables into the equipment or side chamber.
3. Slide the OSP cable into the equipment or side chamber.
4. Fill boot with sealant to completely seal the cable entry.

Figure 9.3 Cable Cones in Side Chambers

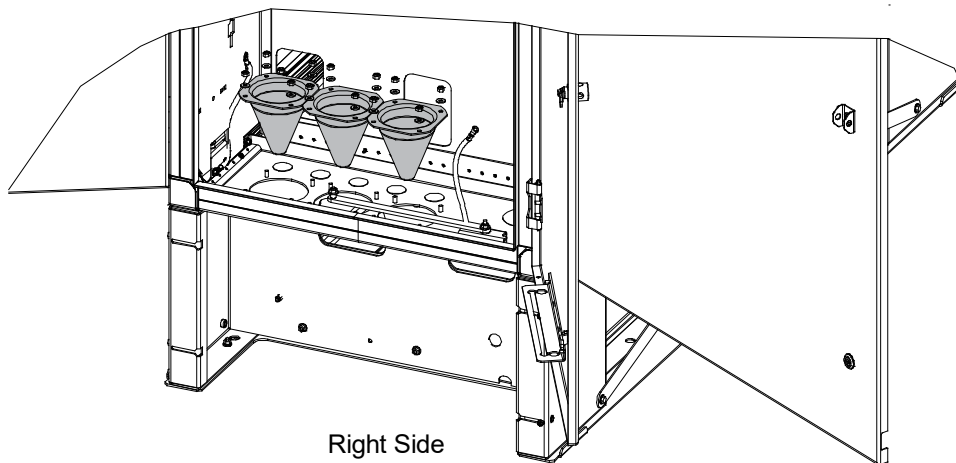


Right Side

46-inch Deep Enclosure
One Side Chamber (42-inch Wide)
(Enclosure with Battery Base Shown)



4-inch cable cone used



Right Side

32-inch Deep Enclosure
One Side Chamber (72-inch Wide, shown)
Two Side Chamber (84-inch Wide)
(Enclosure with Battery Base Shown)

10 Protection

Vertiv™ XTE 601 enclosures may be equipped with 100-pair M307 protection to terminate OSP cables entering and exiting the enclosure. The block accepts industry standard 5-pin plug-in protection modules.

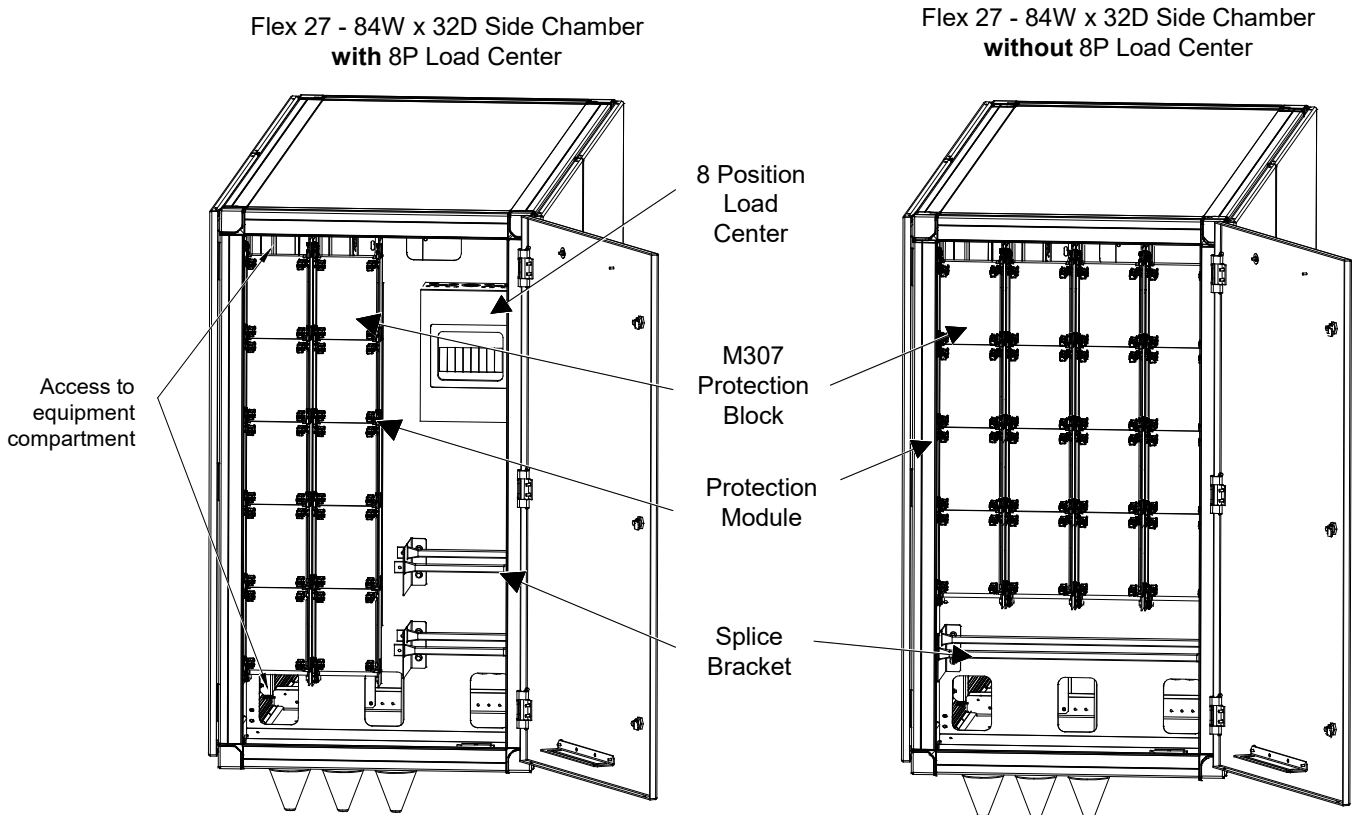


NOTE! The following procedure assumes the undressed cables have been pulled into the enclosure and sealed, as discussed in “OSP Cable Installation” on page 35.



ALERT! All positions in the M307 protection that have been spliced to active OSP pairs must have protectors installed.

Figure 10.1 Protection Location for Dual Bay Cabinets (with and without Load Center) with Side Chambers



10.1 M307 Protection Field Install

10.1.1 Tools Needed

To install the M307 Protection Block, you will need the following tools and supplies:

- a medium (number 2) flat head screwdriver,
- No-Ox.



ALERT! Do **not** use wire terminals or associated parts - such as nuts, screws, inserts or washers - made of ferrous metals or aluminum. Use wire metals and associated parts made of brass, bronze, or equivalent alloys.

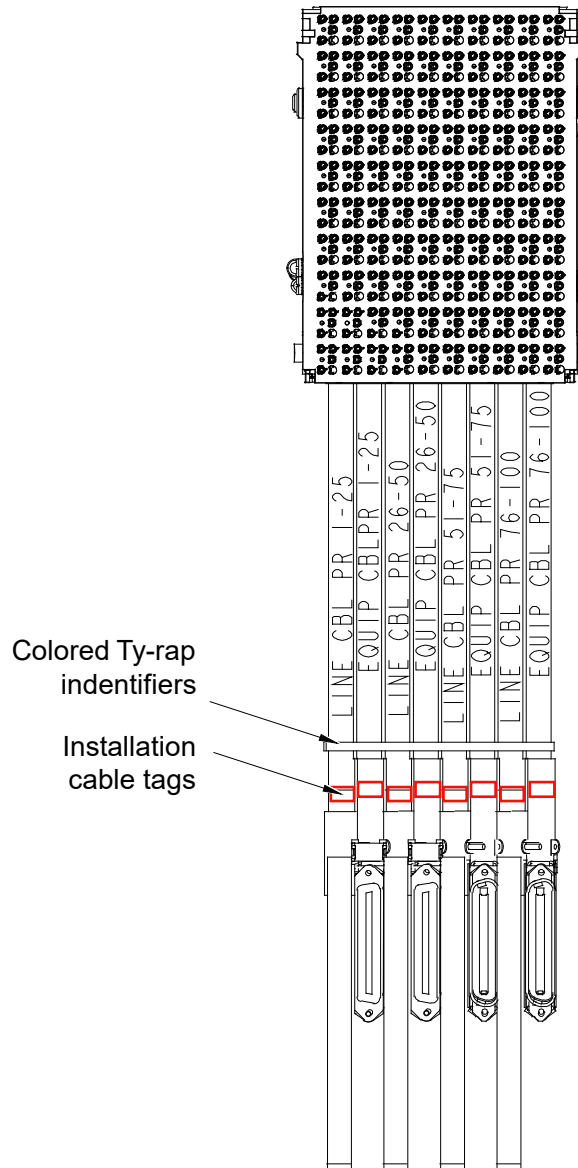


ALERT! The two #10-32 screws must be short enough that when they are used to connect the ground cable to the M307 Protection Block, the tips of the screws do not come in contact with plastic of the block.

Procedure

Perform the following steps to install the M307 Protection Block:

Figure 10.2 M307 Protection Block (Front View)



1. Unpack the M307 Protection Block, and dispose of the packaging according to local practices.
2. Install the cable labels to all M307 Protection Block cables using identification as shown in the Figure 10.2 and Table 10.1.



NOTE! Only 400 pairs are shown here; your dead pair configuration may be different.

Table 10.1 M307 Cable Tags

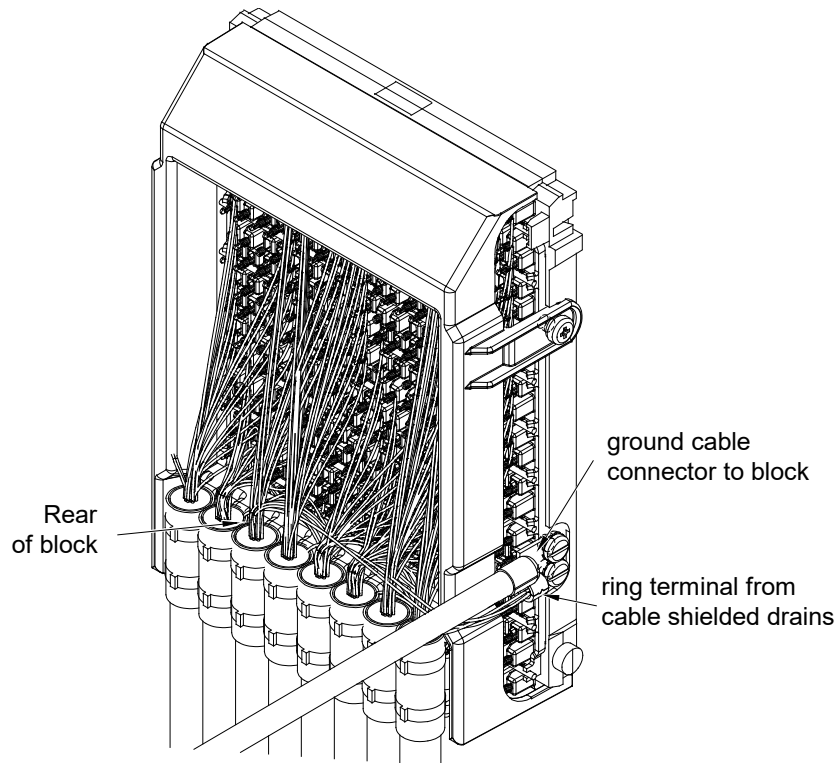
Block 3 Equipment				Block 4 Equipment			
Blue	Orange	Green	Brown	Blue	Orange	Green	Brown
EQ 201-225	EQ 226-250	EQ 251-275	EQ 276-300	EQ 301-325	EQ 326-350	EQ 351-375	EQ 376-400
FLD 201-225	FLD 226-250	FLD 251-275	FLD 276-300	FLD 301-325	FLD 326-350	FLD 351-375	FLD 376-400
Blue	Orange	Green	Brown	Blue	Orange	Green	Brown
Block 3 Line/ FLD				Block 4 Line/ FLD			

Table 10.1 M307 Cable Tags

	Block 1 Equipment				Block 2 Equipment			
Ty-rap Color	Blue	Orange	Green	Brown	Blue	Orange	Green	Brown
Equipment Cable Labels	EQ 1-25	EQ 26-50	EQ 51-75	EQ 76-100	EQ 101-125	EQ 126-150	EQ 151-175	EQ 176-200
Line Cable Labels	FLD 1-25	FLD 26-50	FLD 51-75	FLD 76-100	FLD 101-125	FLD 126-150	FLD 151-175	FLD 176-200
Ty-rap Color	Blue	Orange	Green	Brown	Blue	Orange	Green	Brown
	Block 1 Line/ FLD				Block 2 Line/ FLD			

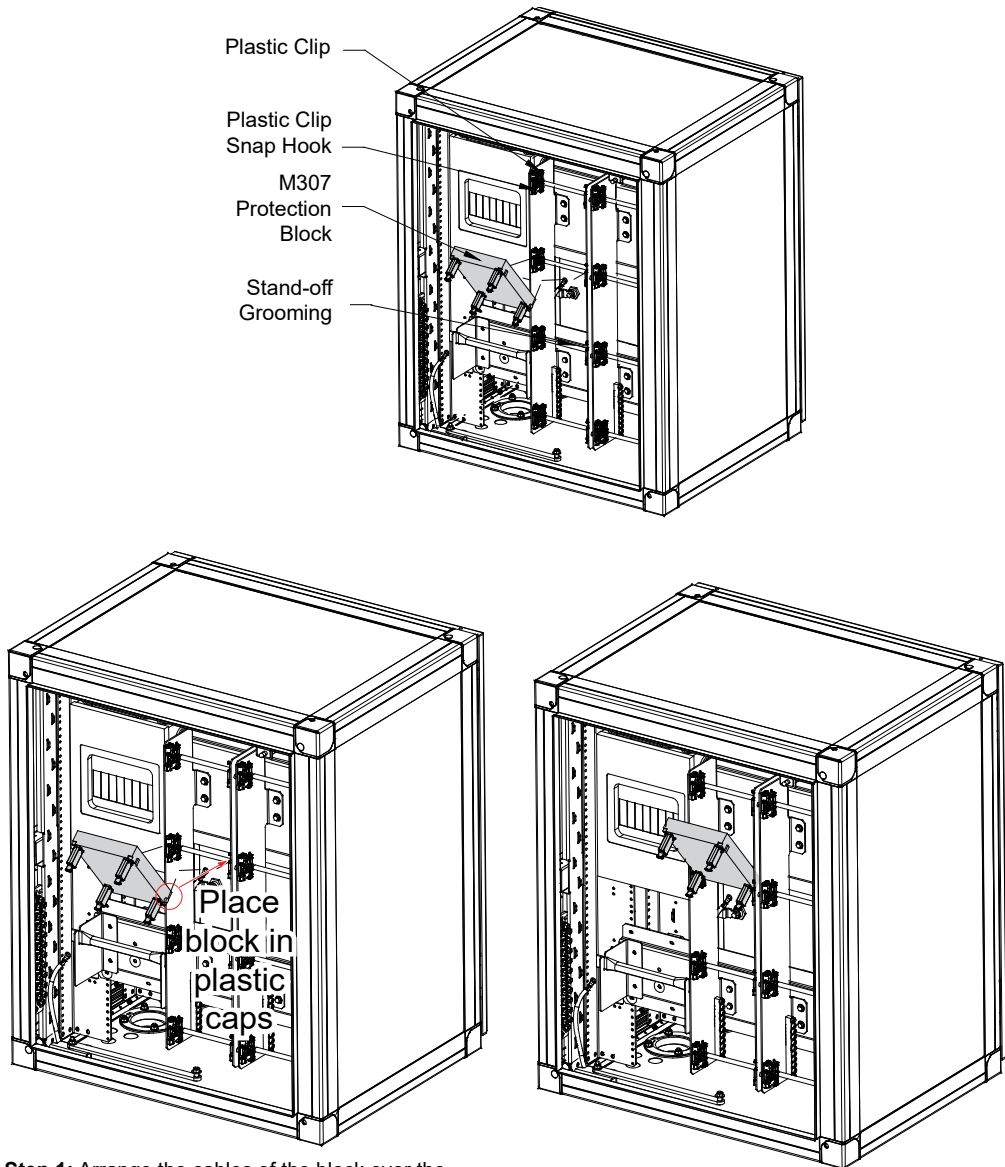
3. Prepare the ground cable per local practices. Install No-Ox to all ground connections.
4. Use the #10-32 screws and two external tooth lock washers (supplied) to connect one end of the ground cable to the ground bar on the lower left side of the M307 Protection Block. If applicable, place ring terminal over ground cable lug on block ground.

Figure 10.3 Ground Wire Attached to M307 Protection Block



5. Connect the block's stub cable to the cables from the outside plant cable splice area, per procedure from "Splicing Copper Cables" on page 37.
6. Secure cables to grooming brackets and lance panel as required.

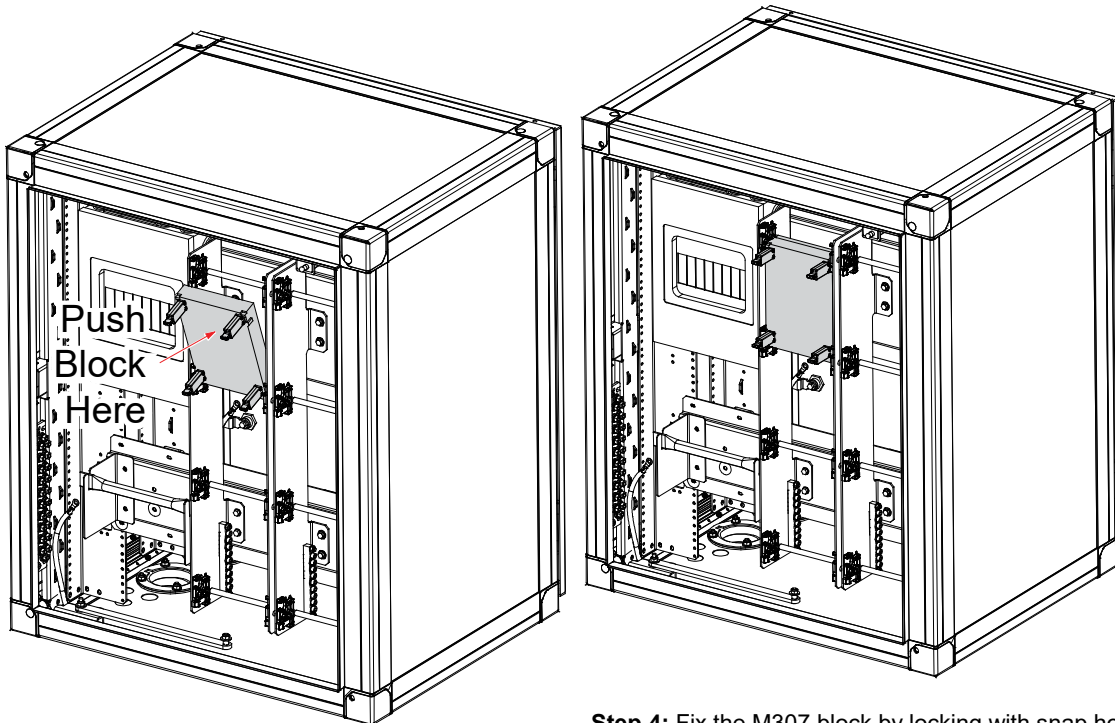
Figure 10.4 Block Installation Instructions (cont'd to next page) Shown as reference from 631-205-400's equipment chamber of Single Bay Enclosures



Step 1: Arrange the cables of the block over the stand-off grooming and place the M307 block on the plastic clip.

Step 2: Rotate the M307 block towards the snap hook at the top

Figure 32 Block Installation Instructions (cont'd from previous page) Shown as reference from 631-205-400's equipment chamber of Single Bay Enclosures



Step 3: Push the top surface of the M307 block towards the snap hooks.

Step 4: Fix the M307 block by locking with snap hooks. To remove the block move the snap hook and pull out the block.

Figure 10.5 Cable Routing and Splicing Options for Protection Cables Shown as reference from 631-205-400's equipment chamber of Single Bay Enclosure

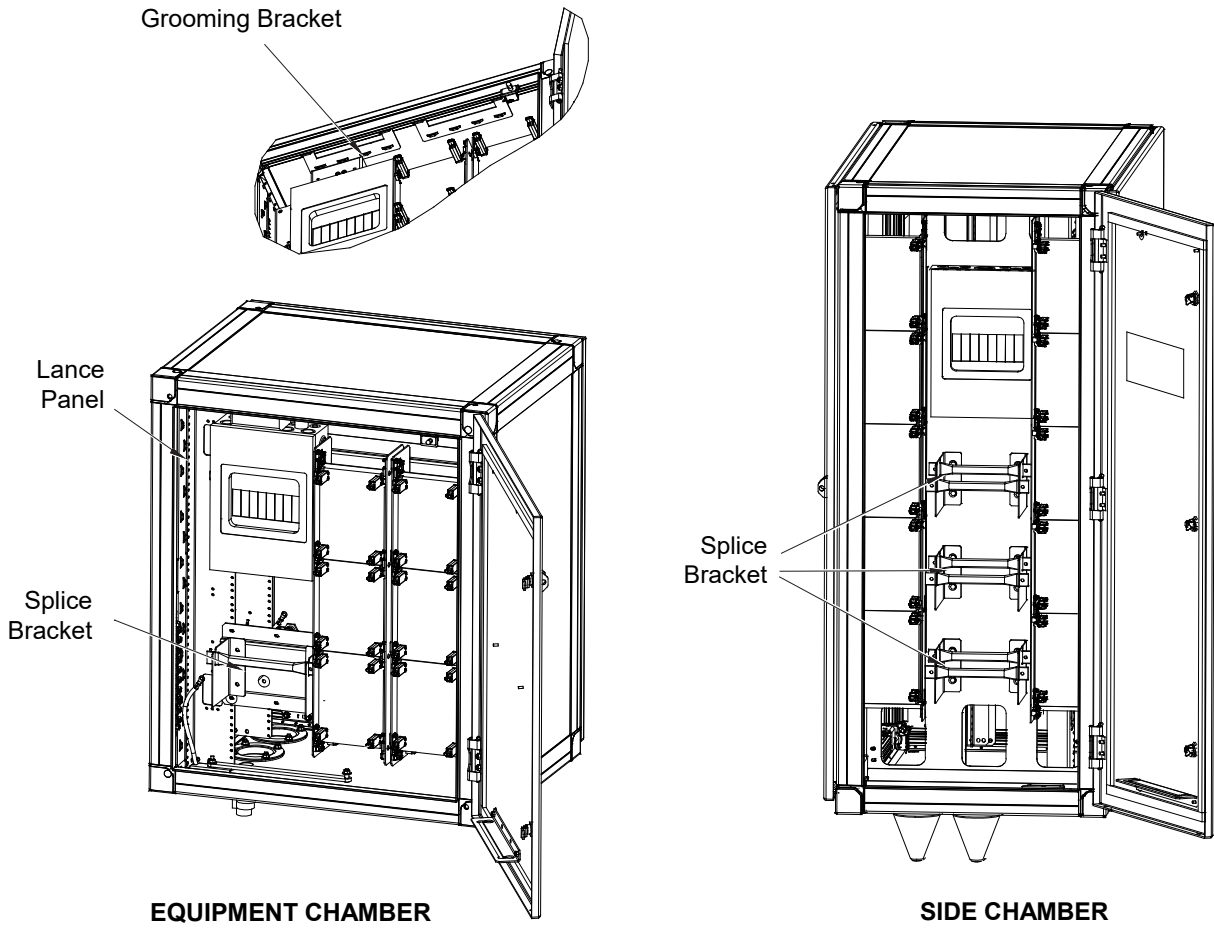


Figure 10.6 Grounding of Block with Bracket Shown as reference from 631-205-400's equipment chamber of Single Bay Enclosures

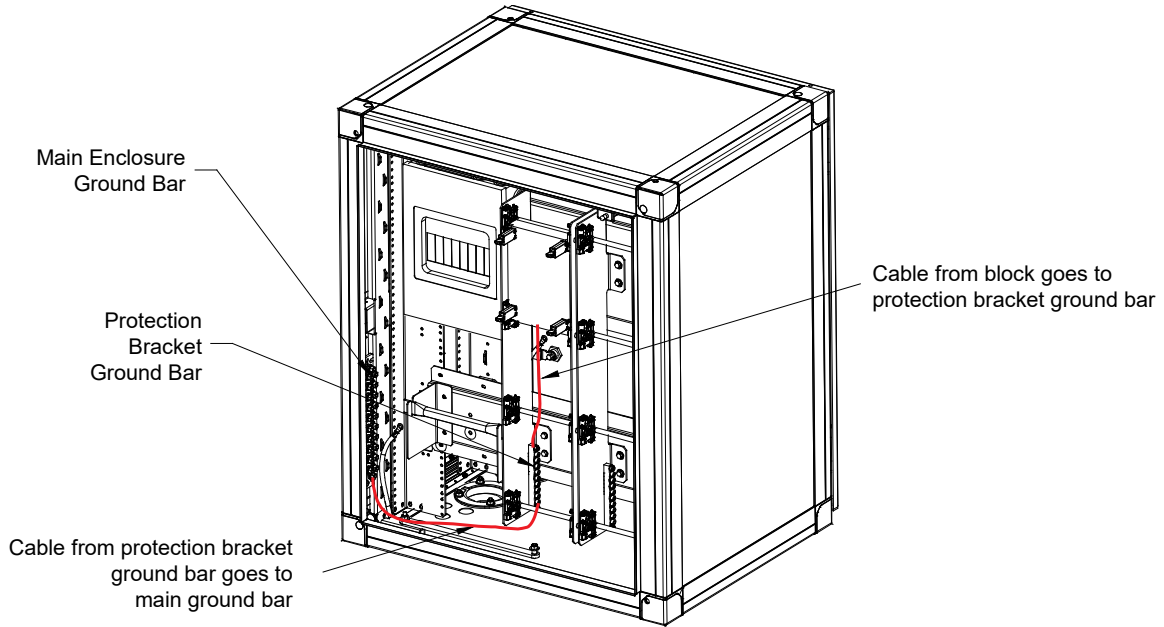
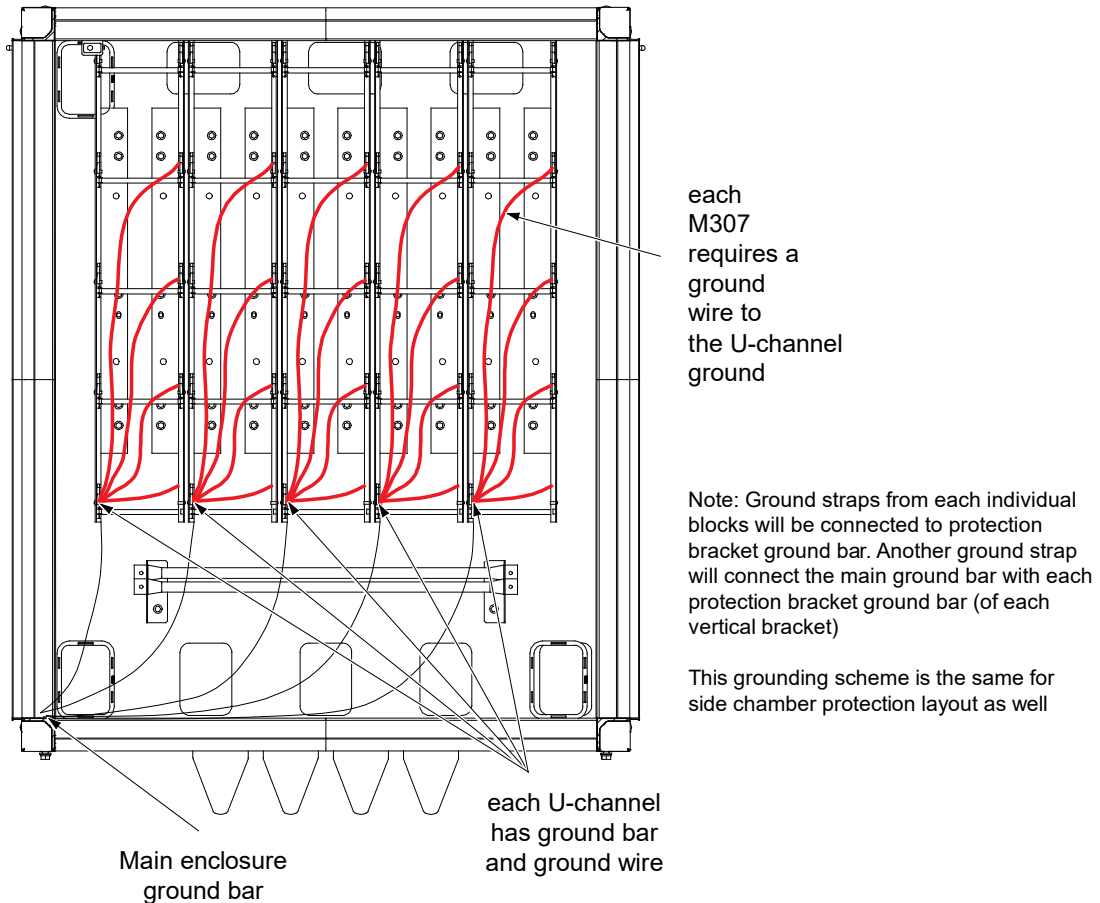


Figure 10.7 Wiring Ground Scheme of Cable Routings



11 AC Power

11.1 Safety Precautions



DANGER! Risk of Electrical Shock, General

- All ground connections must be installed and verified, prior to connecting any power cables (AC or DC) and turning-up of enclosure.
- Before installation, the AC grounding electrode system must be bonded to an AC main service power neutral/ground bus. Contact your local power company or local practices for information about codes or restrictions for your installation.
- When connecting any discrete power connection, make the connection first with the ground/return and break last with ground/return.
- Remove rings, metallic wrist bands, or bracelets, etc.



DANGER! Risk of Electrical Shock, AC

- Proper actions, include, but not limited to:
 - Verify before contacting the enclosure that no current leakage or ground fault condition is present.
 - Verify a proper ground is in place.
 - Verify for AC hook-up, all enclosure circuit breakers are OFF and the utility incoming feed is OFF.
- Use a trained licensed electrician.



DANGER! Electrical Hazard

Observe all safety precautions as specified by local building codes and the National Electrical Code (NEC). All procedures should be performed by a licensed electrician. If local building codes specify procedures different from those in this section, follow local codes.

11.2 Enclosure AC Schematic

The complete system schematics are included with each enclosure.

11.3 Grounding the Enclosure



ALERT! Grounding should be accomplished according to local practices and in accordance with the latest NEC codes.

All enclosure grounding and ground ring must be installed prior to turn up of enclosure.

The enclosure should be grounded to an external ground ring using a #2 AWG solid wire. The resistance of the ground ring, as verified with a Megger, shall be less than 25 ohms.

Enclosures without side chambers are equipped with a ground bar located at the rear of the enclosure. Enclosures with one side chamber are equipped with a ground bar located in the side chamber. Enclosures with two side chambers are equipped with a ground bar located in each side chamber. Enclosures with one ground bar (enclosures with no side chamber or one side chamber), the ground bar can be designated as the enclosure's Main Ground Bar (MGB) (depending on local practices). Enclosures with two side chambers, one ground bar must be designated by the customer as the MGB.

The internal frame and external enclosure are factory grounded to a ground bar located inside the enclosure.

11.4 AC Input Connections



DANGER! Adhere to “Safety Precautions” on page 51.

11.4.1 General

Various AC input configurations and kits are available. A general procedure is provided here for making AC input connections. Illustrations are provided after this procedure for specific types of AC input configuration options. Select the proper illustration from those presented in this section for the AC input configuration furnished in your enclosure. Refer to Figure 11.1 for AC input cable entry into the various enclosure configurations.

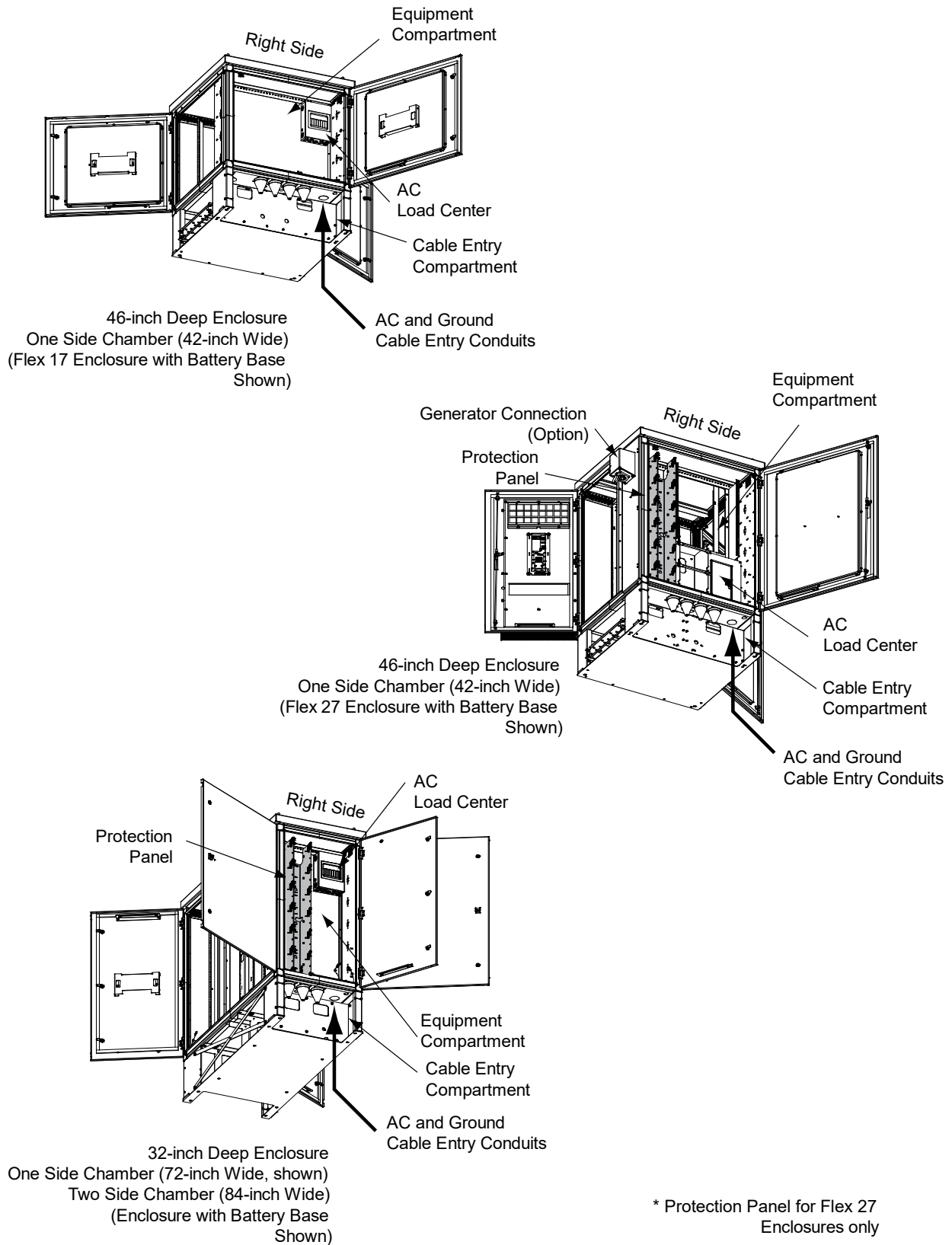
Make connections per the current edition of the American National Standards Institute (ANSI) approved National Fire Protection Association's (NFPA) National Electrical Code (NEC), and applicable local codes.

The following procedure shall be performed by a trained licensed electrician.

General Procedure

1. Use a non-contact voltage detector to verify the enclosure is safe.
2. Verify that the enclosure is properly grounded.
3. Verify that all breakers feeding the enclosure and all breakers within the enclosure are in the OFF position.
4. Refer to the schematic drawings shipped with your enclosure for a detailed AC wiring diagram. See also the illustrations provided after this general procedure.
5. Determine the AC cabling route into the enclosure for your installation site. Remove access panels as required to access the AC input routing and connection points.
6. Pull the AC Power and Ground Cables into the enclosure.
7. Connect the required feeds per the schematic drawings shipped with your enclosure and the illustrations provided after this general procedure.

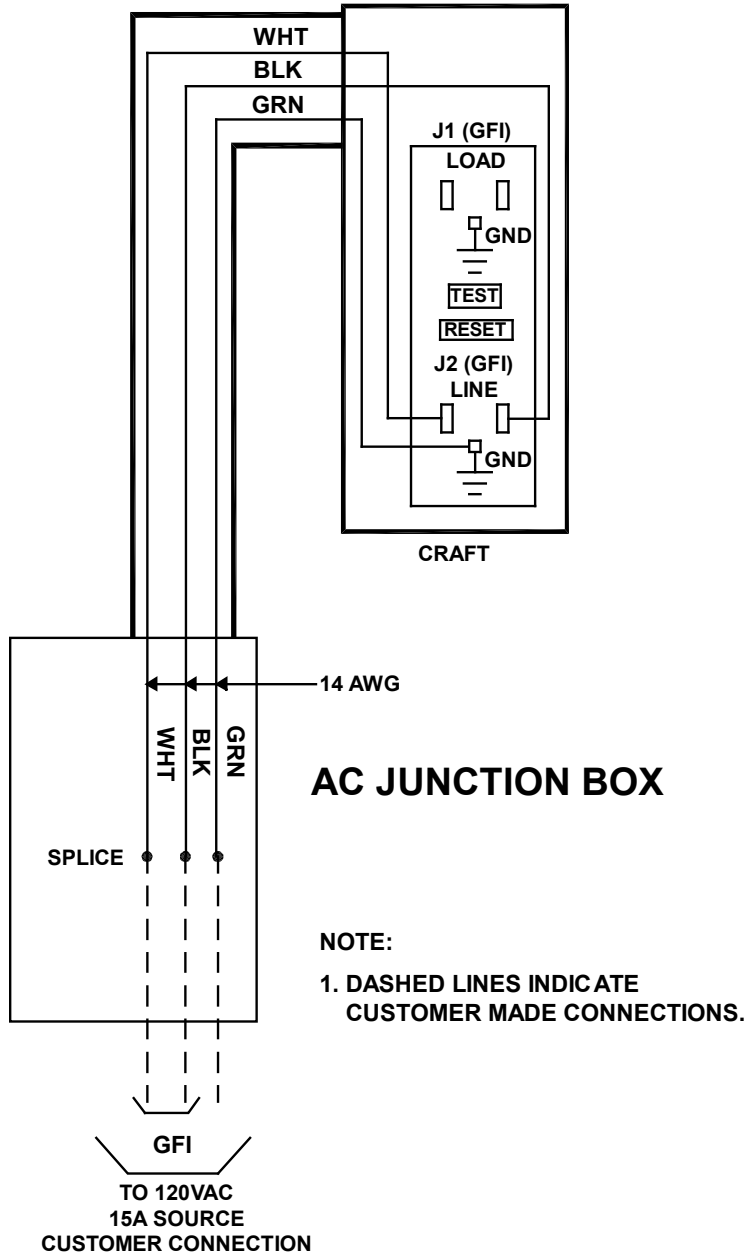
Figure 11.1 Typical AC Input Routing



11.4.2 AC Input Junction Box Kit P/N 544966

All customer AC input connections are made in the furnished AC input junction box (120VAC, 60 Hz, 15A service). See Figure 11.2.

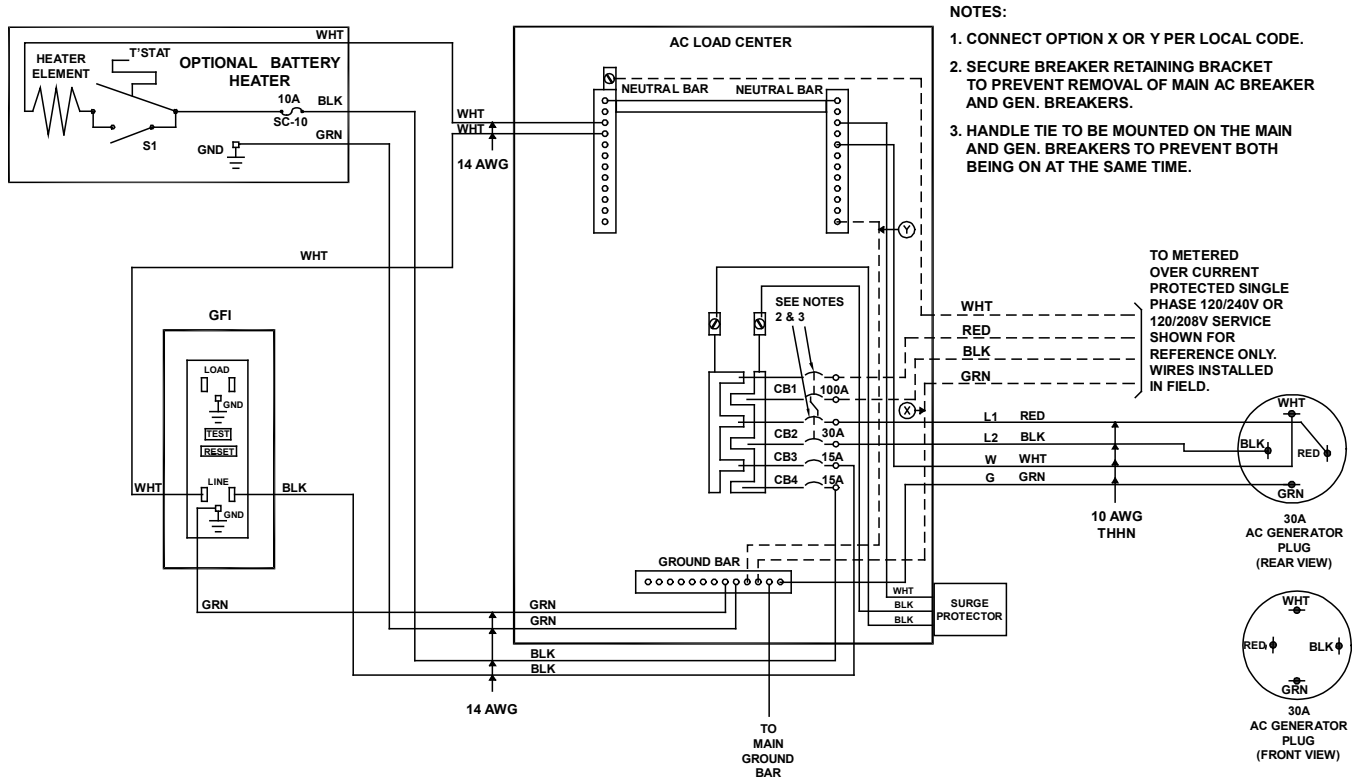
Figure 11.2 AC Input Junction Box Kit P/N 544966



11.4.3 8-Position Load Center Kit P/Ns 544970 and 546425

Provides a 120/240VAC, 60 Hz, 100A 8-position load center. See Figure 11.3.

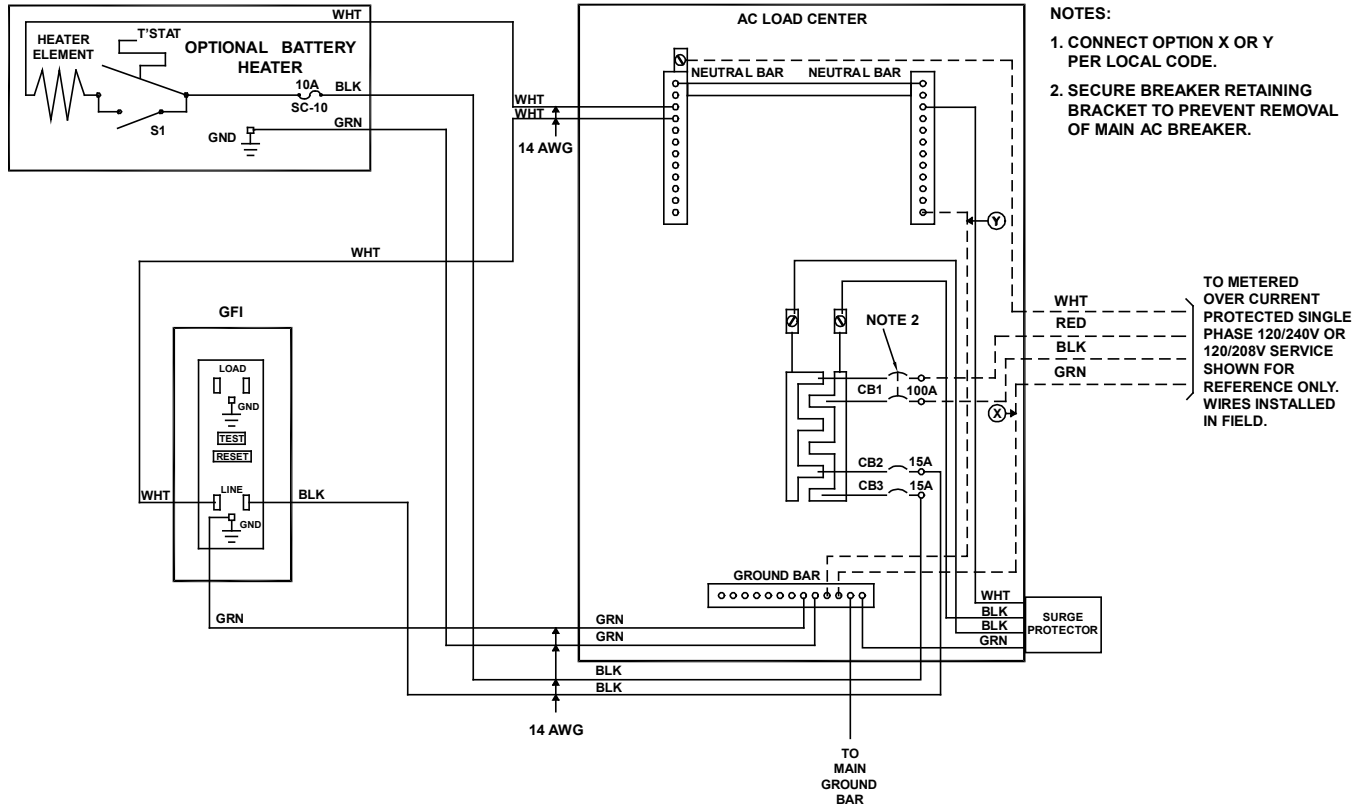
Figure 11.3 8-Position Load Center Kit P/Ns 544970 and 54642



11.4.4 12-Position Load Center Kit P/N 547095 and 547096

Provides a 120/240VAC, 60 Hz, 125A 12-position load center. See Figure 11.4.

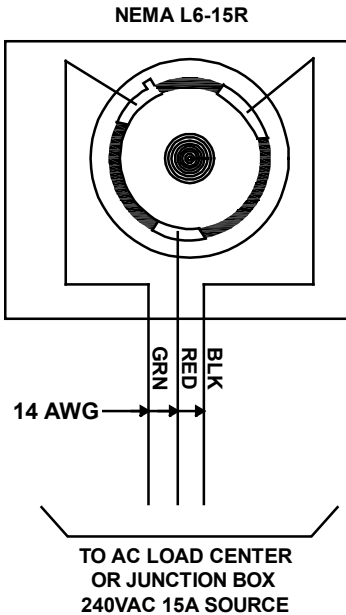
Figure 11.4 12-Position Load Center Kit P/Ns 547095 and 547096



11.4.5 220VAC/15A Twist Lock Receptacle Kit P/N 545101

Used in conjunction with the AC Junction Box Kit or one of the Load Center Kits to provide a 220VAC, 60 Hz, 15A twist lock plug for the furnished power system and/or air conditioner. See Figure 11.5.

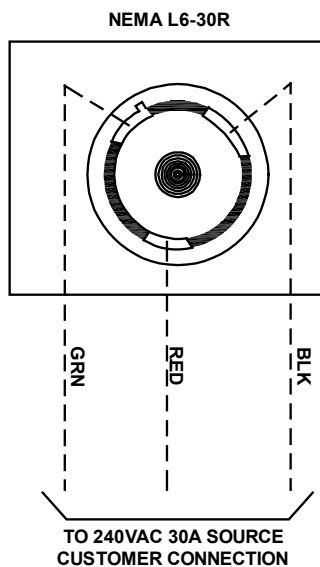
Figure 11.5 220VAC/15A Twist Lock Receptacle Kit P/N 545101



11.4.6 220VAC/30A Twist Lock Receptacle Kit P/N 545102

Used in conjunction with the AC Junction Box Kit or one of the Load Center Kits to provide a 220VAC, 60 Hz, 30A twist lock plug for the furnished power system and/or air conditioner. See Figure 11.6.

Figure 11.6 220VAC/30A Twist Lock Receptacle Kit P/N 545102



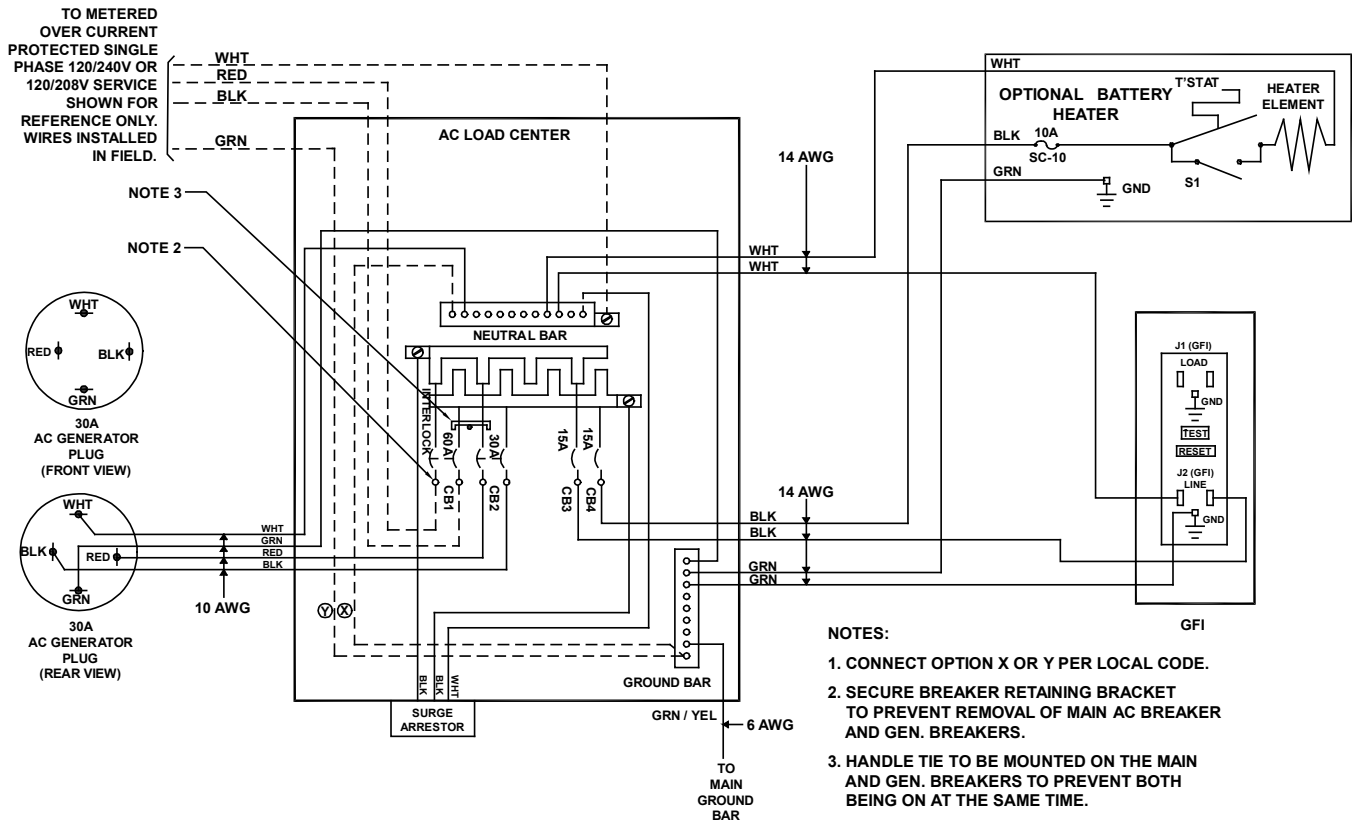
NOTE:

1. DASHED LINES INDICATE CUSTOMER MADE CONNECTIONS.

11.4.7 Optional 30A Generator Connection Kit P/Ns 544974 and 547097

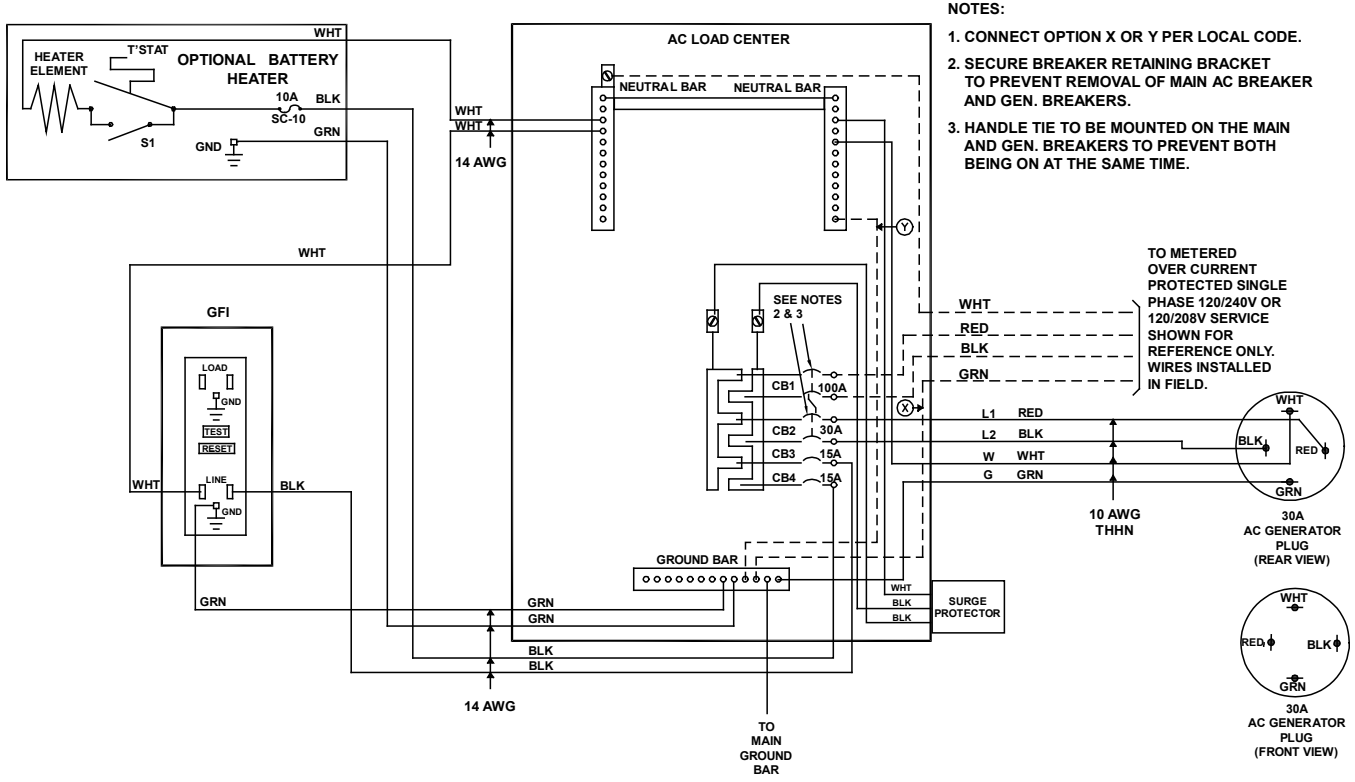
P/N 544974 is used in conjunction with the 8-Position Load Center to provide connections for a 120/240VAC, 60 Hz, 30A generator service. Connections between the load center and the generator inlet are factory made. See Figure 11.7.

Figure 11.7 Optional 30A Generator Connection Kit P/N 544974



P/N 547097 is used in conjunction with the 12-Position Load Center to provide connections for a 120/240VAC, 60 Hz, 30A generator service. Connections between the load center and the generator inlet are factory made. See Figure 11.8.

Figure 11.8 Optional 30A Generator Connection Kit P/N 547097



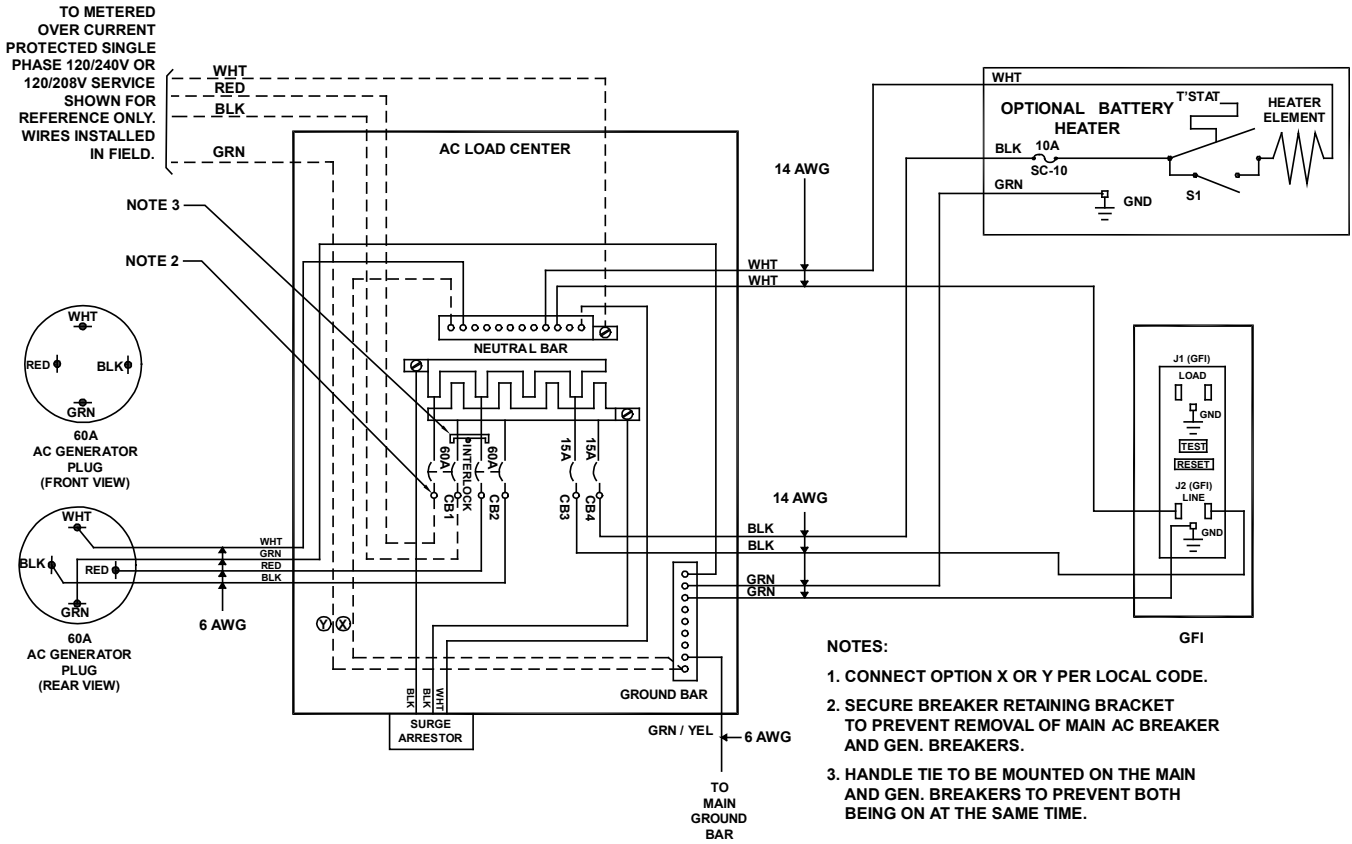
- NOTES:**
1. CONNECT OPTION X OR Y PER LOCAL CODE.
 2. SECURE BREAKER RETAINING BRACKET TO PREVENT REMOVAL OF MAIN AC BREAKER AND GEN. BREAKERS.
 3. HANDLE TIE TO BE MOUNTED ON THE MAIN AND GEN. BREAKERS TO PREVENT BOTH BEING ON AT THE SAME TIME.

TO METERED OVER CURRENT PROTECTED SINGLE PHASE 120/240V OR 120/208V SERVICE SHOWN FOR REFERENCE ONLY. WIRES INSTALLED IN FIELD.

11.4.8 Optional 60A Generator Connection Kit P/Ns 546478 and 547098

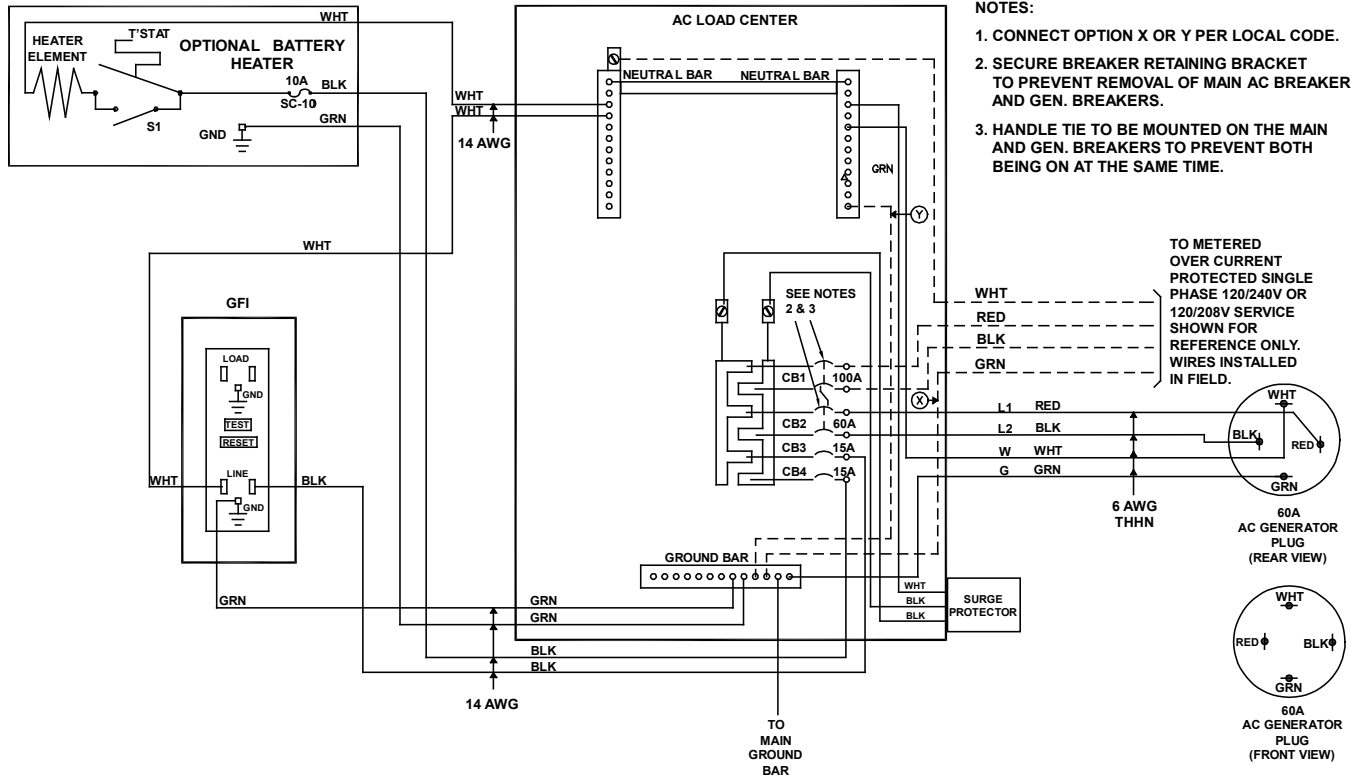
P/N 546478 is used in conjunction with the 8-Position Load Center to provide connections for a 120/240VAC, 60 Hz, 60A generator service. Connections between the load center and the generator inlet are factory made. See Figure 11.9.

Figure 11.9 Optional 60A Generator Connection Kit P/Ns 546478



P/N 547098 is used in conjunction with the 12-Position Load Center to provide connections for a 120/240VAC, 60 Hz, 60A generator service. Connections between the load center and the generator inlet are factory made.

Figure 11.10 Optional 60A Generator Connection Kit P/N 547098



12 Installing and Connecting Batteries

12.1 Safety Precautions



DANGER! ELECTRICAL HAZARD. Risk of serious injury and/or equipment damage.

- Exercise extreme care when handling the batteries and connecting them to the string. Two people are recommended for lifting and placing batteries. Wear heavy gloves and safety glasses while lifting the batteries. Handle each battery ONLY by its lifting slot. Keep hands well away from the connector posts.
- Arcing is possible during battery connection procedures. Use heavy gloves during all procedures involving the batteries to avoid potential injury. Do not wear rings, metallic wrist bands or bracelets when working on batteries. Do not allow metal objects to rest on the batteries or to fall across the terminals.
- Make sure the battery disconnect breakers are set to "OFF".



DANGER! Electrical and Explosion Hazard.

Batteries can be a lethal source of electrical power under certain conditions. Batteries are electrically live at all times. Although the voltages are not hazardous, the batteries can deliver large amounts of current. Even if the case is damaged, the battery is capable of supplying high short-circuit current.

12.2 General

Vertiv™ XTE 601 Dual Bay configuration options allow batteries to be housed in an external battery base, which can accommodate either -48Vdc or +24Vdc battery strings.

Before installing the batteries, refer to:

- The schematic drawings shipped with your enclosure for a wiring diagram.
- The battery vendor's documentation set for installation and testing instructions.
- Battery vendor's documentation set for battery safety precautions and notices.

A battery disconnect circuit breaker is provided in the Equipment Compartment for each string of battery the enclosure accommodates.

12.3 Installing Batteries

Depending on enclosure configuration, 12Vdc 155 Ah (minimum) front post batteries are installed in an external battery base.



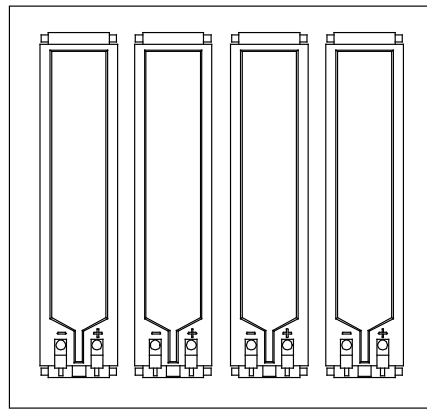
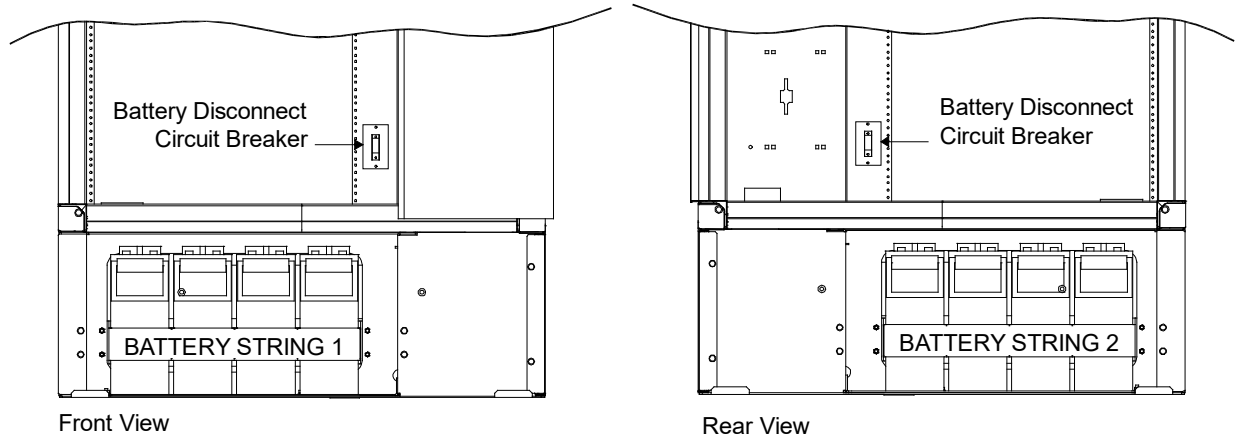
NOTE! *The enclosure is not shipped with batteries installed. The batteries are to be installed in the field.*

Perform the following steps in installing the batteries:

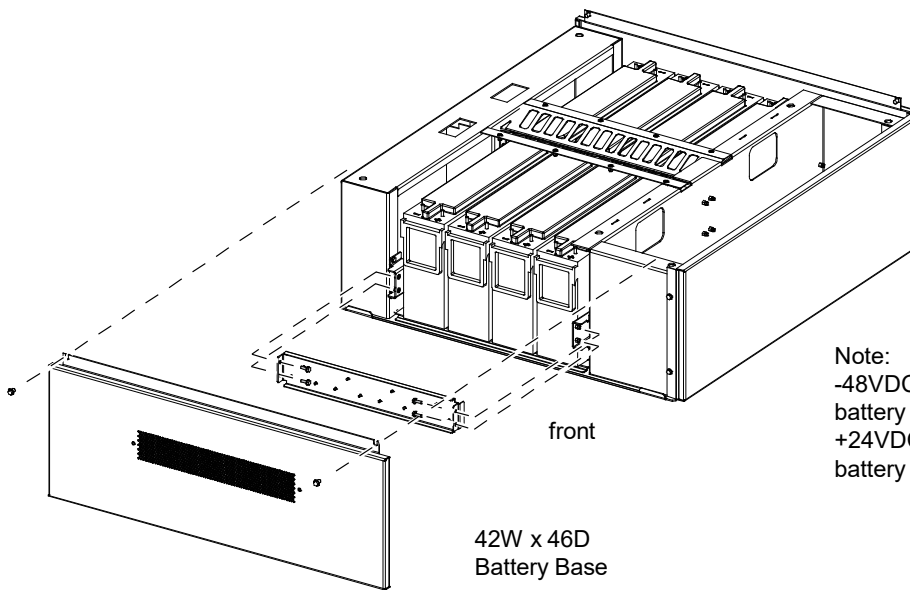
1. Open the enclosure's front door and secure the wind latch.
2. Refer to the appropriate views in Figure 12.1, Figure 12.2, or Figure 12.3, and remove any front cover, braces, and battery retaining brackets as required. Set these and the hardware aside for re-use.
3. Ensure all battery disconnect circuit breakers are in the "OFF" position.
4. Using a Digital Multimeter (DMM), measure the battery voltages to make sure all batteries are in good condition. A good battery will indicate approximately 12.5Vdc.
5. If necessary, remove all the connecting hardware from the battery terminals.

6. Coat all battery terminals with an anti-oxidation compound (NO-OX-ID-A).
7. Locate the interconnect busbars, covers, and lug bolts in the battery kit.
8. Ensure factory battery cables will be in an accessible position after batteries are installed.
9. Install the batteries into the battery base. Ensure the battery lifting handle straps are kept clear of the battery shelf "clamps" front and back.
10. Secure batteries within the battery shelf with the previously removed restraining brackets.

Figure 12.1 Battery Placement in Battery Base (on 42"Wx46"D Enclosures)

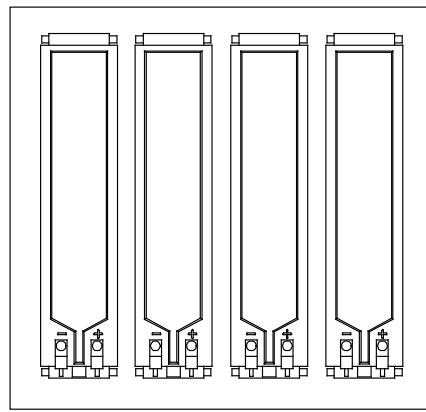
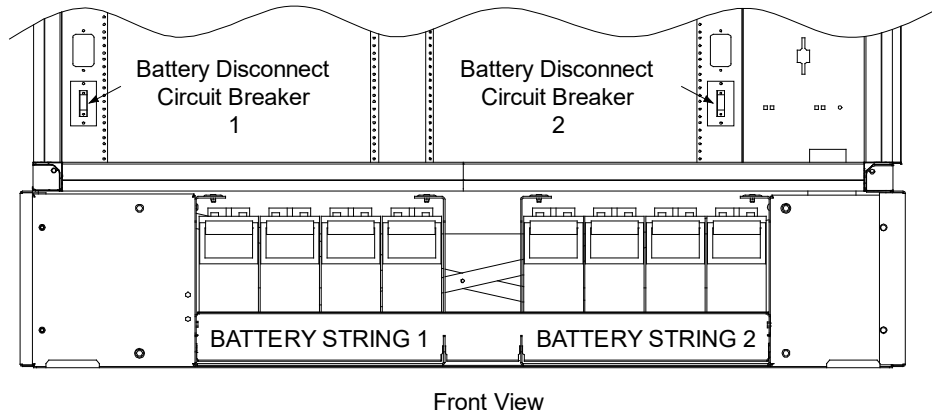


Top View
Battery Tray in Battery Base

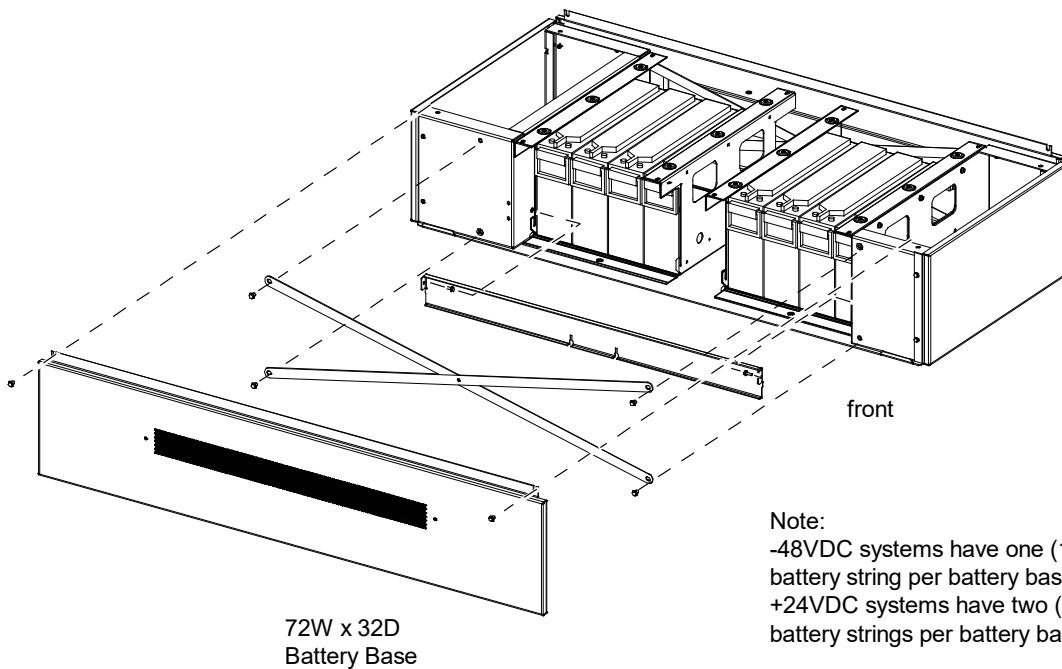


Note:
-48VDC systems have one (1)
battery string per battery base.
+24VDC systems have two (2)
battery strings per battery base.

Figure 12.2 Battery Placement in Battery Base (on 72"Wx32"D Enclosures)

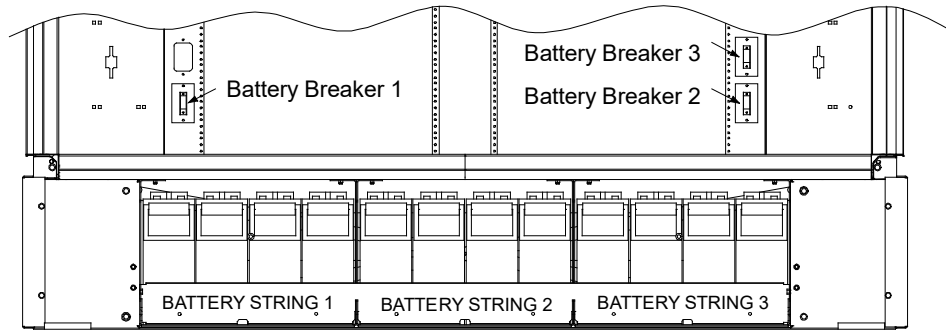


Top View
Battery Tray in Battery Base

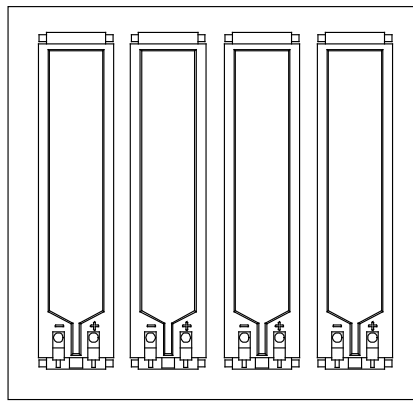


Note:
-48VDC systems have one (1)
battery string per battery base.
+24VDC systems have two (2)
battery strings per battery base.

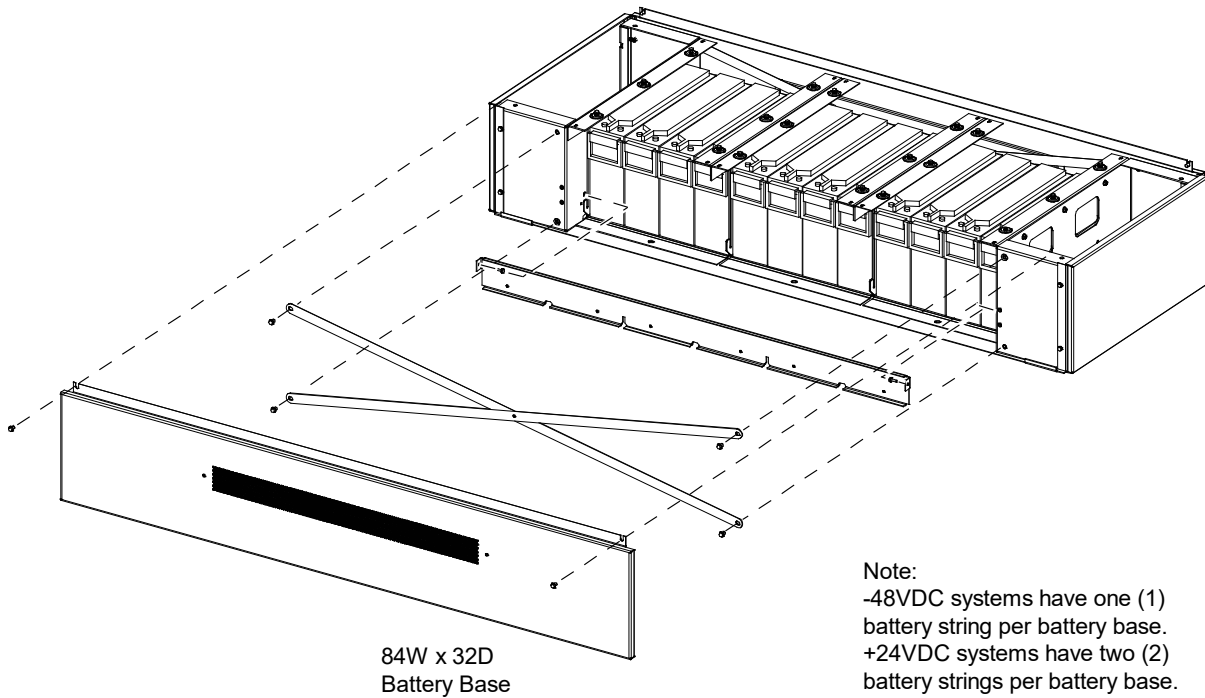
Figure 12.3 Battery Placement in Battery Base (on 84"Wx32"D Enclosures)



Front View



Top View
Battery Tray in Battery Base



Note:
-48VDC systems have one (1)
battery string per battery base.
+24VDC systems have two (2)
battery strings per battery base.

12.4 Wiring Batteries

12.4.1 -48Vdc Systems

Enclosure is pre-wired for -48VDC battery string installation only.

Refer to Figure 12.4 as the following procedure is performed.



NOTE! Refer to the documentation provided with the Power System and install the Battery Charge Temperature Compensation Probe (if furnished) as the batteries are being cabled.

1. For each battery shelf, connect a battery interconnect bus bar between the left two batteries as shown in Figure 12.4.



NOTE! When ordered, batteries are generally shipped with battery interconnect busbars. The battery interconnect busbars are approximately 3.25 inches in length.

2. For each battery shelf, connect a battery interconnect bus bar between the middle two batteries as shown in Figure 12.4.
3. For each battery shelf, connect a battery interconnect bus bar between the right two batteries as shown in Figure 12.4.



CAUTION! To prevent arcing, the positive (+) battery cables must be connected to the positive (+) battery terminals and the negative (-) battery cables must be connected to the negative (-) battery terminals.

4. For each battery shelf, locate the pre-wired positive (+) battery cable. Connect this cable to the positive (+) battery terminal of the fourth battery (right most). See Figure 12.4.
5. For each battery shelf, ensure the battery disconnect circuit breaker is in the "OFF" position before performing the next step.
6. For each battery shelf, locate the pre-wired negative (-) battery cable. Connect this cable to the negative(-) battery terminal of the first battery (left most). See Figure 12.4.
7. Using a torque wrench, tighten all battery hardware per manufacturer's specifications.
8. For each string, verify the connections for proper polarity.
9. Install the covers on the batteries.
10. Reinstall any braces and/or covers removed to install the batteries.
11. Close and secure the front door.

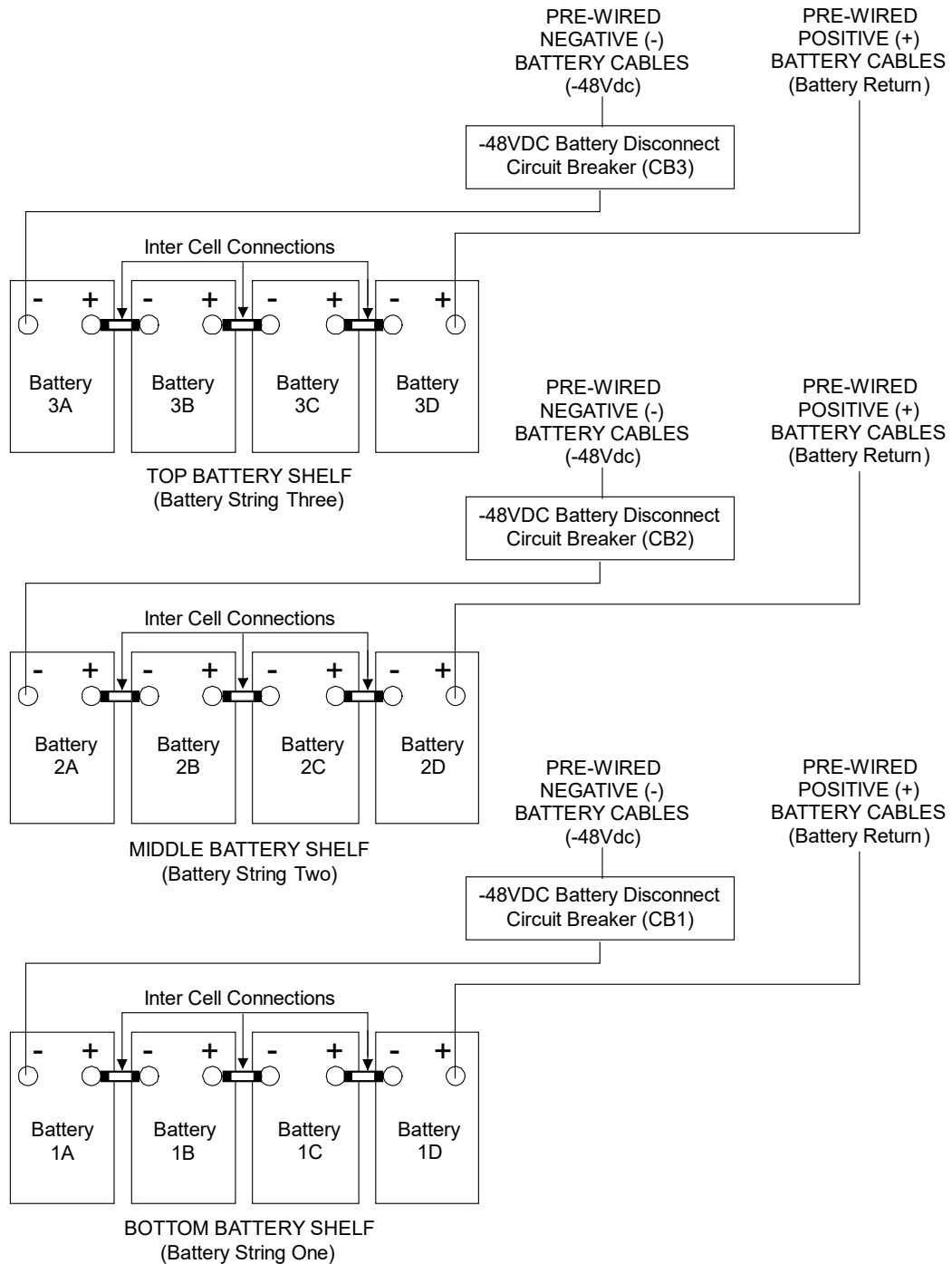
Figure 12.4 -48VDC Battery String Wiring Diagram

-48VDC BATTERY WIRING

Note:

Battery Base: One battery string per shelf. One shelf per battery base.

Battery Tray: One battery string per tray. One, two, or three battery tray(s) per enclosure allowed, depending on enclosure height.



12.4.2 +24Vdc Systems

Enclosure is pre-wired for +24VDC battery string installation only.

Refer to Figure 12.5 as the following procedure is performed.



NOTE! Refer to the documentation provided with the Power System and install the Battery Charge Temperature Compensation Probe (if furnished) as the batteries are being cabled.

1. For each battery shelf, connect a battery interconnect bus bar between the left two batteries as shown in Figure 12.5.



NOTE! When ordered, batteries are generally shipped with battery interconnect busbars. The battery interconnect busbars are approximately 3.25 inches in length.

2. For each battery shelf, connect a battery interconnect bus bar between the right two batteries as shown in Figure 12.5.



CAUTION! To prevent arcing, the positive (+) battery cables must be connected to the positive (+) battery terminals and the negative (-) battery cables must be connected to the negative (-) battery terminals.

3. For each battery shelf, locate the pre-wired positive (+) battery cables. Connect one negative (-) battery cable to the negative (-) battery terminal of the first battery. Connect the remaining negative (-) battery cable to the negative (-) battery terminal of the third battery. See Figure 12.5.
4. For each battery shelf, ensure the battery disconnect circuit breaker is in the "OFF" position before performing the next step.
5. For each battery shelf, locate the two pre-wired positive (+) battery cables. Connect one positive (+) battery cable to the positive (+) battery terminal of the second battery. Connect the remaining positive (+) battery cable to the positive (+) battery terminal of the fourth battery. See Figure 12.5.
6. Using a torque wrench, tighten all battery hardware per manufacturer's specifications.
7. For each string, verify the connections for proper polarity.
8. Install the covers on the batteries.
9. Reinstall any braces and/or covers removed to install the batteries.
10. Close and secure the front door.

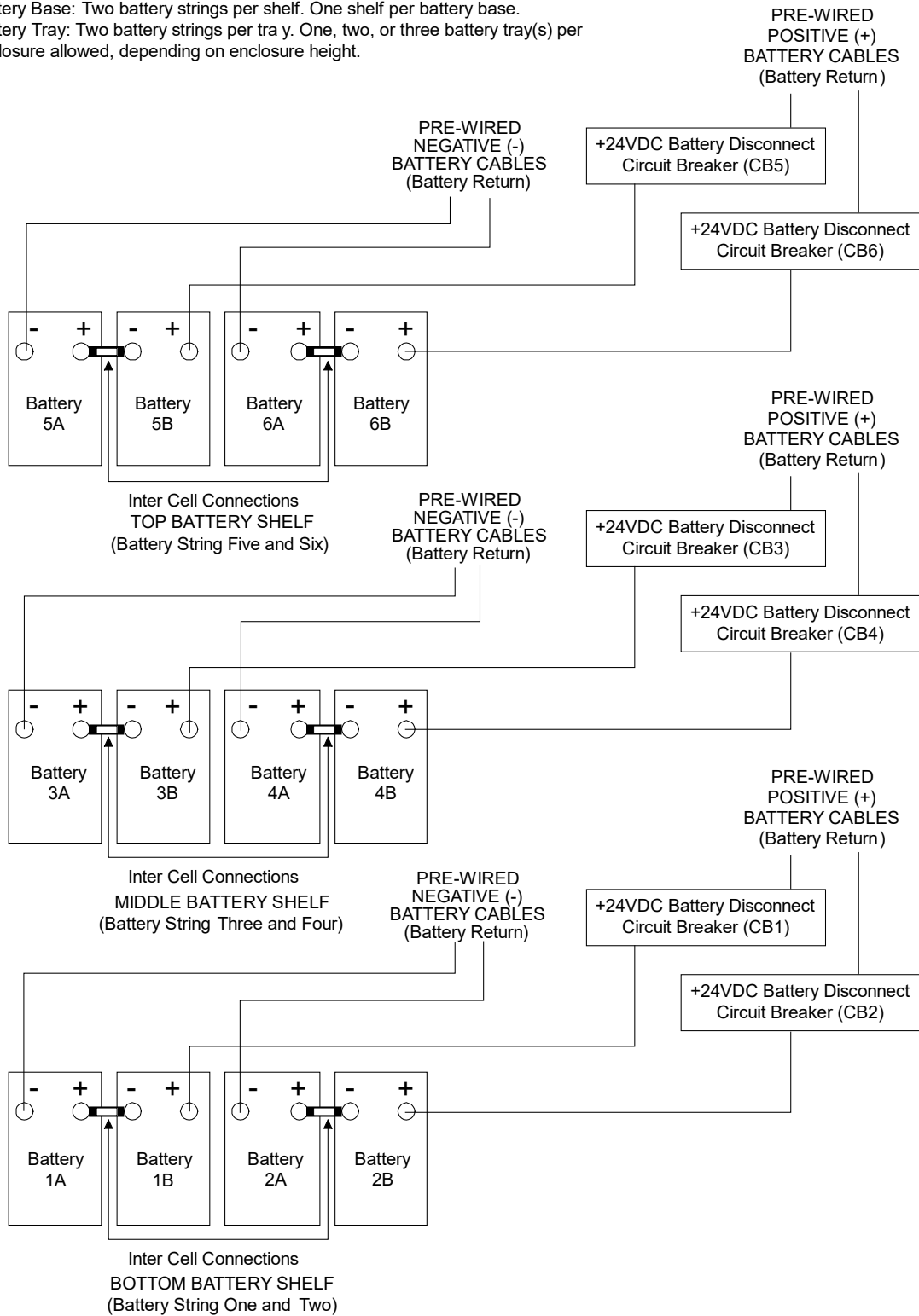
Figure 12.5 +24VDC Battery String Wiring Diagram

+24VDC BATTERY WIRING

Note:

Battery Base: Two battery strings per shelf. One shelf per battery base.

Battery Tray: Two battery strings per tray. One, two, or three battery tray(s) per enclosure allowed, depending on enclosure height.



13 Alarm Wiring

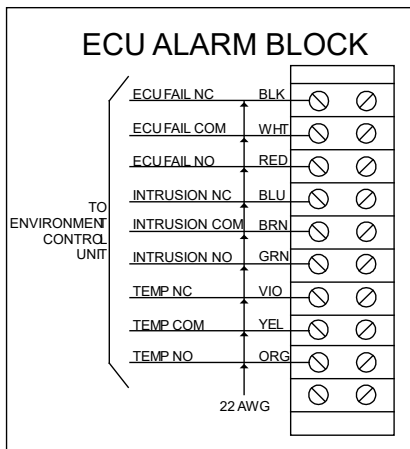
13.1 Alarm Wiring (same information for both single and dual bay documents)

Alarms can connect to optional 10-position alarm termination blocks located on the equipment rails inside the enclosure equipment bay. Refer to Figure 13.1 for typical alarm wiring when used with standard Vertiv™ XTE 601 options. The alarm termination blocks are factory wired to support the alarm wiring specified for given cabinet configuration.

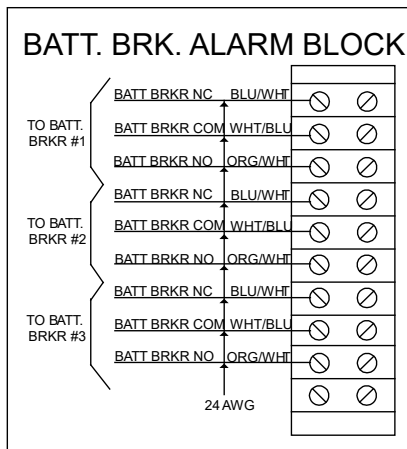
Refer to schematic drawing shipped with the enclosure for additional alarm details.

Figure 13.1 Typical Alarm Wiring

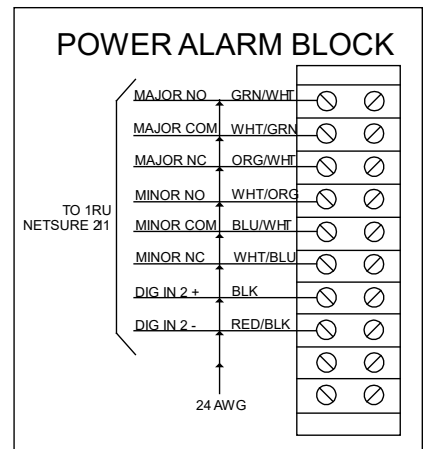
FOR ECU EQUIPPED CABINETS
ALARM BLOCK 1



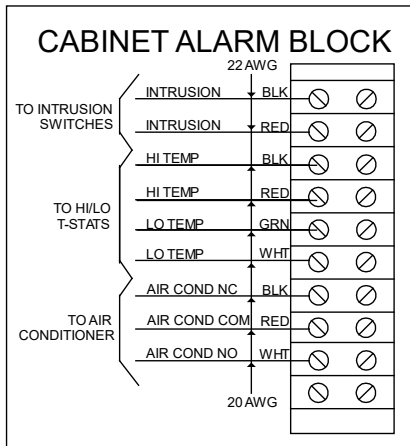
FOR CABINETS WITH
EXT. BATT BRKR -
BLOCK 2



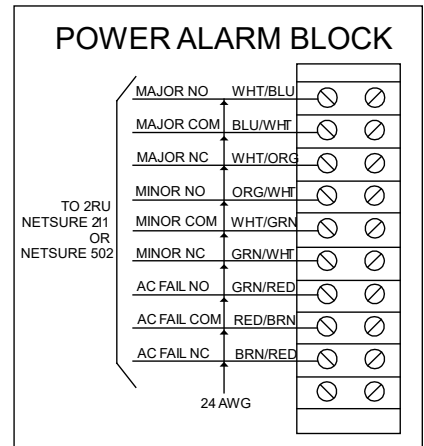
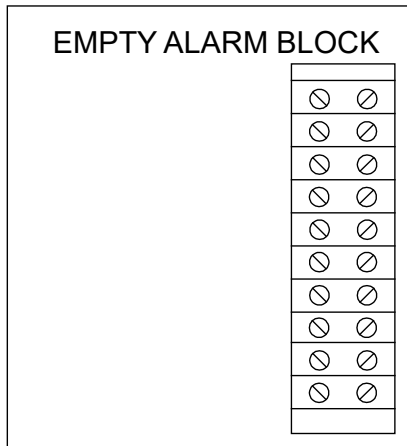
FOR CABINETS WITH 1RU
NETSURE POWER SYSTEMS
BLOCK 3



FOR NON-ECU EQUIPPED CABINETS
ALARM BLOCK 1



FOR CABINETS WITH 2RU
NETSURE POWER SYSTEMS
BLOCK 3



- NOTE: ALARM BLOCKS ARE INSTALLED FROM TOP TO BOTTOM.
 TOP ALARM BLOCK IS POSITION 1 AND SHOULD BE ALARM BLOCK 1
- THE ALARM BLOCK IN POSITION 2 SHOULD BE ALARM BLOCK 2 (IF APPLICABLE)
- THE ALARM BLOCK IN POSITION 3 SHOULD BE ALARM BLOCK 3 (IF APPLICABLE)
- IF ALARM BLOCK 2 IS NOT USED, ALARM BLOCK 3 SHOULD BE IN POSITION 2.

14 Climate Control Options

Vertiv™ XTE 601 dual bay outdoor enclosures can be configured with several climate control options, as described in this section.



NOTE! Climate control units can be mounted on each door of the enclosure. See Figure 14.4 for typical installation of multiple climate control units.

14.1 Heat Exchangers

Refer to this section when the Vertiv™ XTE 601 dual bay outdoor enclosure is equipped with a heat exchanger. The heat exchanger is a vertical air flow device that will keep the equipment or batteries within the manufacturer's recommended temperature range. The exterior cooling air is never mixed with the air in the electronics chamber. Vertiv™ XTE 601 heat exchangers are door mounted and offered in three standard sizes. 1000W, 1450W and 2800W (see Figure 14.1).

The heat exchangers are equipped with internal and external fans that can run independently of one another. If one fan fails, the others will keep operating. The external fans draw exterior air through the bottom of the enclosure and exhaust it out into the air chamber in the enclosure top. The internal fans draw interior air in from the top of the equipment chamber and exhaust it out the bottom of the chamber. See Figure 14.3 for a heat exchanger air flow diagram.

As part of the installation process, a quick check of heat exchanger operation can be performed by the following:

1. Confirm fan operation by noting sound and air movement near the vents on the door.
2. If fans do not operate as expected when the enclosure is first installed, press the reset button on the ECU (Figure 14.5 or Figure 14.6). If the problem is not resolved after resetting the ECU, contact Vertiv technical support at (800) 800-5260.
3. If replacing a heat exchanger fan refer to "Heat Exchanger Fan Replacement" on page 92.

Table 14.1 Heat Exchangers in Dual Bay Vertiv™ XTE 601 Enclosures

	42"Wx46"D Vertiv™ XTE 601				72"Wx32"D Vertiv™ XTE 601				84"Wx32"D Vertiv™ XTE 601			
	1000W	1450W	2800W	Max. Capacity	1000W	1450W	2800W	Max. Capacity	1000W	1450W	2800W	Max. Capacity
8RU	N/A	N/A	N/A	N/A	N/A	N/A	N/A	N/A	N/A	N/A	N/A	N/A
12RU	N/A	N/A	N/A	N/A	N/A	N/A	N/A	N/A	N/A	N/A	N/A	N/A
17RU	YES	YES	N/A	YES 1450W (2X)	N/A	N/A	N/A	N/A	N/A	N/A	N/A	N/A
22RU	N/A	N/A	N/A	N/A	N/A	N/A	N/A	N/A	N/A	N/A	N/A	N/A
27RU	YES	YES	YES	YES 2800W (2X)	YES	YES	YES	YES 2800W (4X)	YES	YES	YES	YES 2800W (4X)
32RU	N/A	N/A	N/A	N/A	N/A	N/A	N/A	N/A	N/A	N/A	N/A	N/A

Refer to this section when the enclosure requires a Heat Exchanger.

Figure 14.1 Heat Exchangers (46-inch Deep Enclosures)

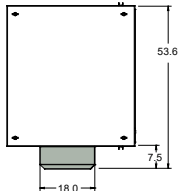
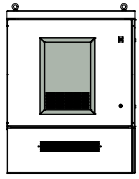
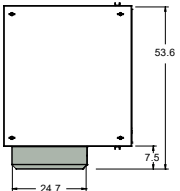
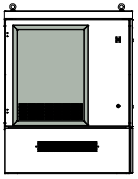
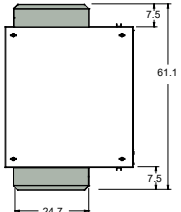
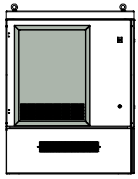
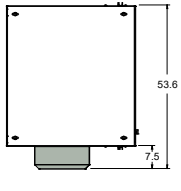
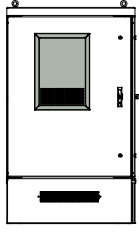
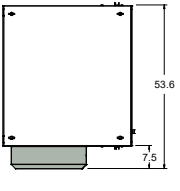
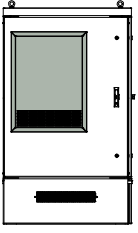
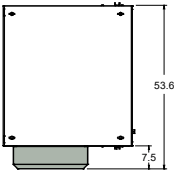
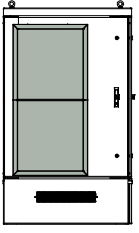
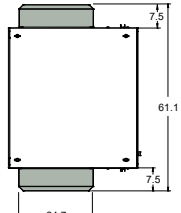
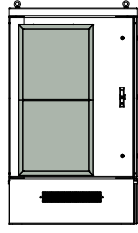
Heat Exchangers in 42" x 46" Enclosures				
	1000 Watt H/X	1450 Watt H/X	2800 Watt H/X	Maximum Capacity
<p>42Wx46D Flex 17 Enclosures</p> <p>TOP VIEW</p>  <p>FRONT VIEW</p> 	<p>1450 Watt H/X</p> <p>TOP VIEW</p>  <p>FRONT VIEW</p> 	<p>2800 Watt H/X</p> <p>Not Available in this Enclosure Size.</p>	<p>Maximum Capacity</p> <p>(2) 1450W HX on Front and Rear Equipment Doors</p> <p>TOP VIEW</p>  <p>FRONT VIEW</p> 	
<p>42Wx46D Flex 27 Enclosures</p> <p>TOP VIEW</p>  <p>FRONT VIEW</p> 	<p>1450 Watt H/X</p> <p>TOP VIEW</p>  <p>FRONT VIEW</p> 	<p>2800 Watt H/X</p> <p>TOP VIEW</p>  <p>FRONT VIEW</p> 	<p>Maximum Capacity</p> <p>(2) 2800W HX on Front and Rear Equipment Doors</p> <p>TOP VIEW</p>  <p>FRONT VIEW</p> 	

Figure 14.2 Heat Exchangers (32-inch Deep Enclosures)

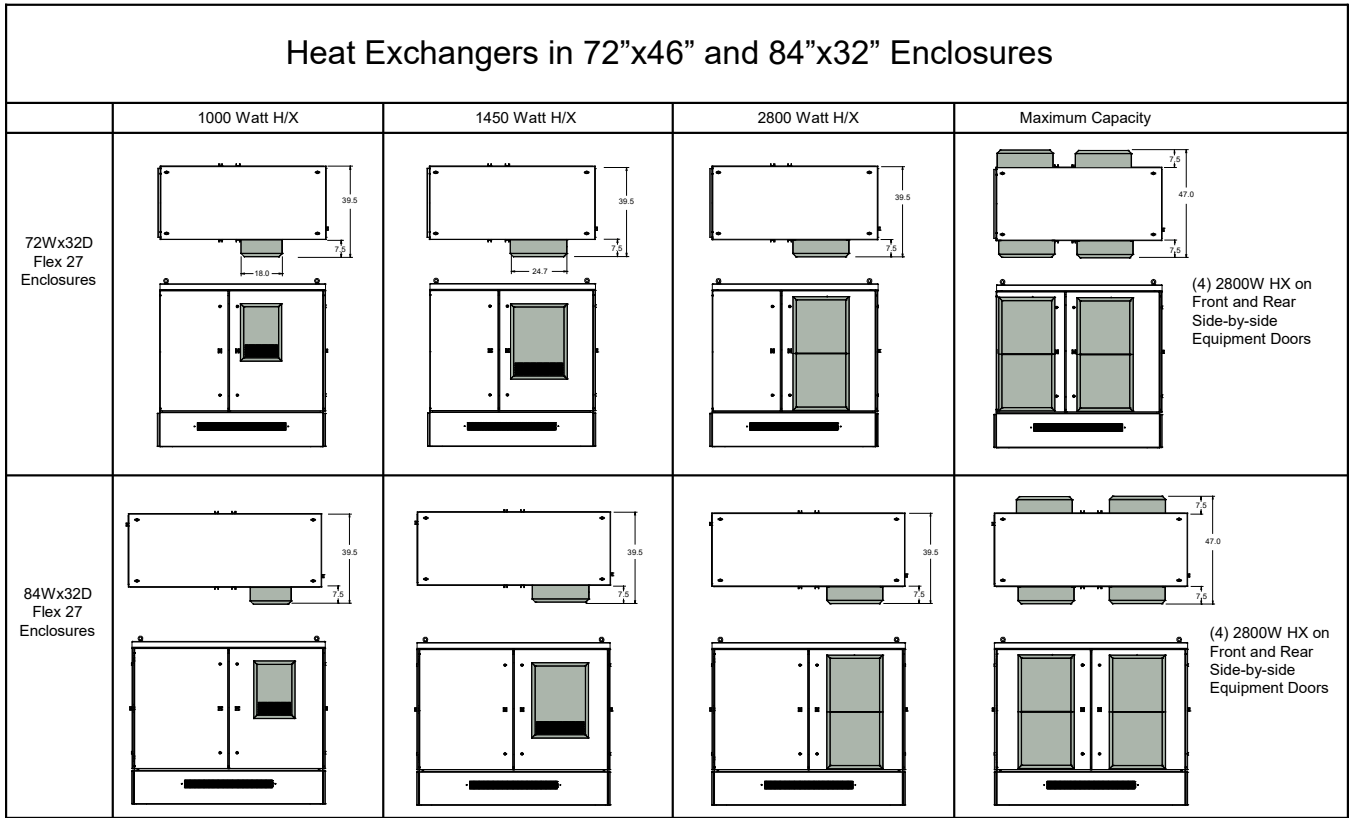
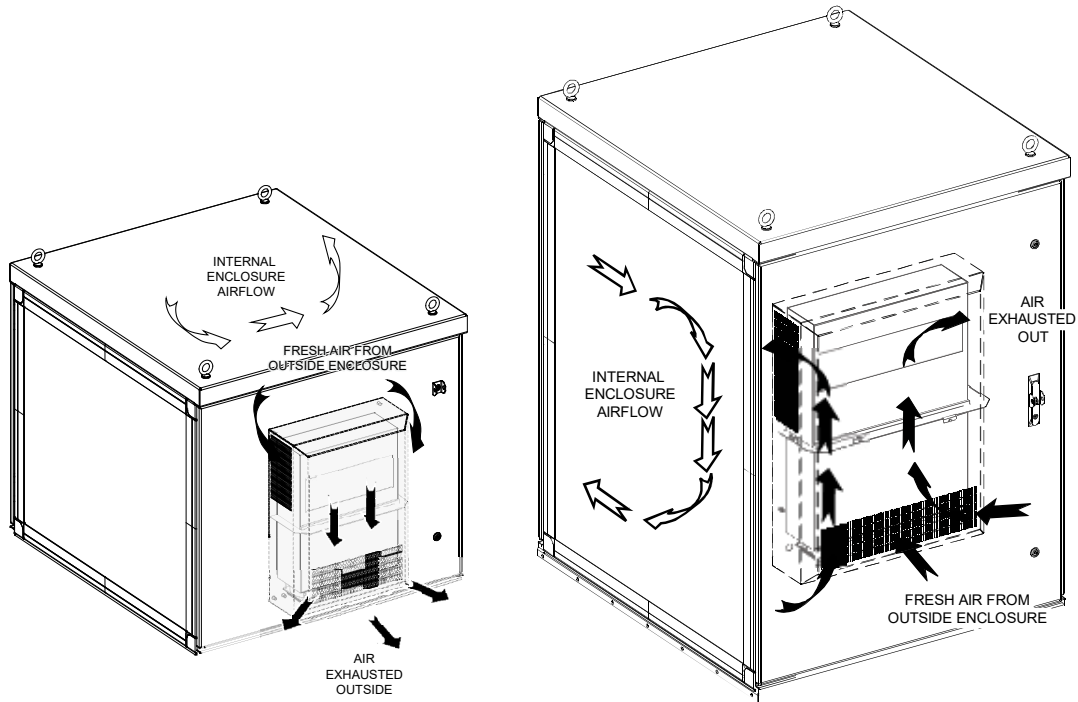
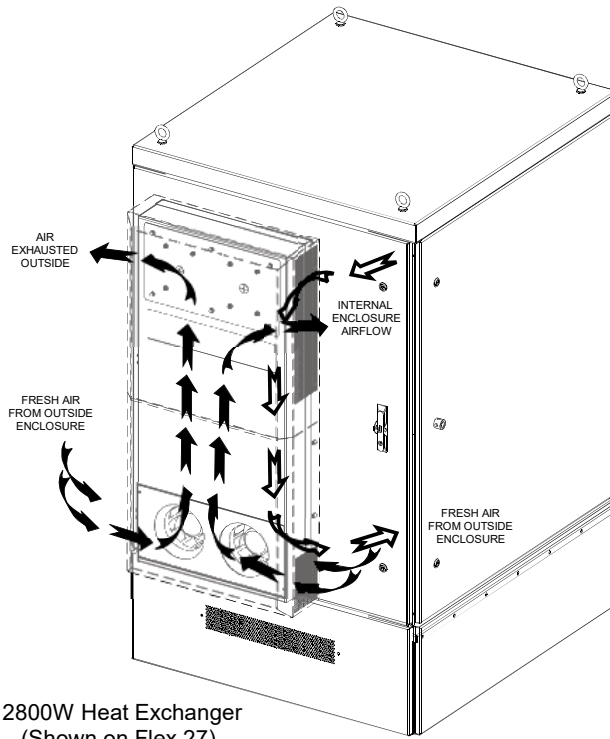


Figure 14.3 Heat Exchanger Air Flow Diagrams (Single Heat Exchanger)



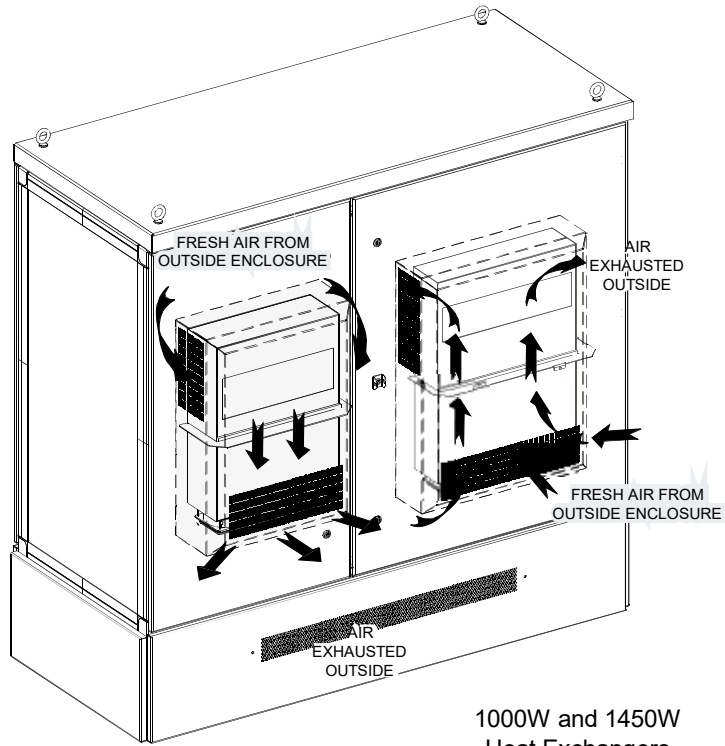
1000W Heat Exchanger
(Shown on Flex 17)

1450W Heat Exchanger
(Shown on Flex 27)

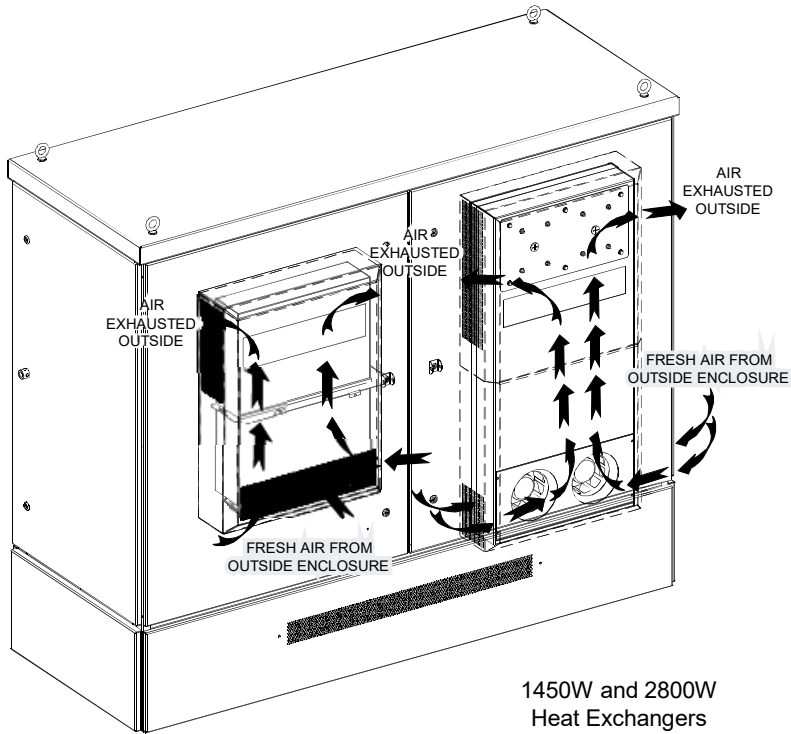


2800W Heat Exchanger
(Shown on Flex 27)

Figure 14.4 Heat Exchanger Air Flow Diagrams (Multiple Heat Exchangers)



1000W and 1450W
Heat Exchangers
(Shown on Flex 27 72Wx32D)



1450W and 2800W
Heat Exchangers
(Shown on Flex 27 84Wx32D)

14.1.1 Heat Exchangers - Environmental Control Unit (ECU)

The ECU controls the heat exchanger's thermal components. Besides controlling the thermal components, the ECU also provides the following functions:

- monitoring for thermal system component failure (fans and thermistors),
- high and low temperature alarming,
- and intrusion alarming (audible and extended relay contacts).

Refer to Figure 14.5, Figure 14.6 and Figure 14.7 for illustrations of an ECU controlling a heat exchanger.

All thermal system components are input voltage and polarity sensitive. These instructions cover both +24Vdc and -48Vdc systems. Refer to the label on the front of your ECU for the specific voltage requirement of your ECU.

ECU Input Voltage Range:

- +24Vdc ECU: +20.0Vdc to +28.3Vdc.
- -48Vdc ECU: -40.0Vdc to -56.7Vdc.



ALERT! The ECU requires either +24Vdc or -48Vdc input voltage, depending upon enclosure configuration. Observe proper polarity for ECU input connections to avoid equipment damage. Polarity for the two input voltages is as follows:

- +24Vdc Input Systems: 24V Battery is +, 24V Return is -.
- -48Vdc Input Systems: 48V Battery is -, 48V Return is +.

14.1.2 Heat Exchanger Thermal Components

The heat exchanger thermal components controlled by the ECU consist of:

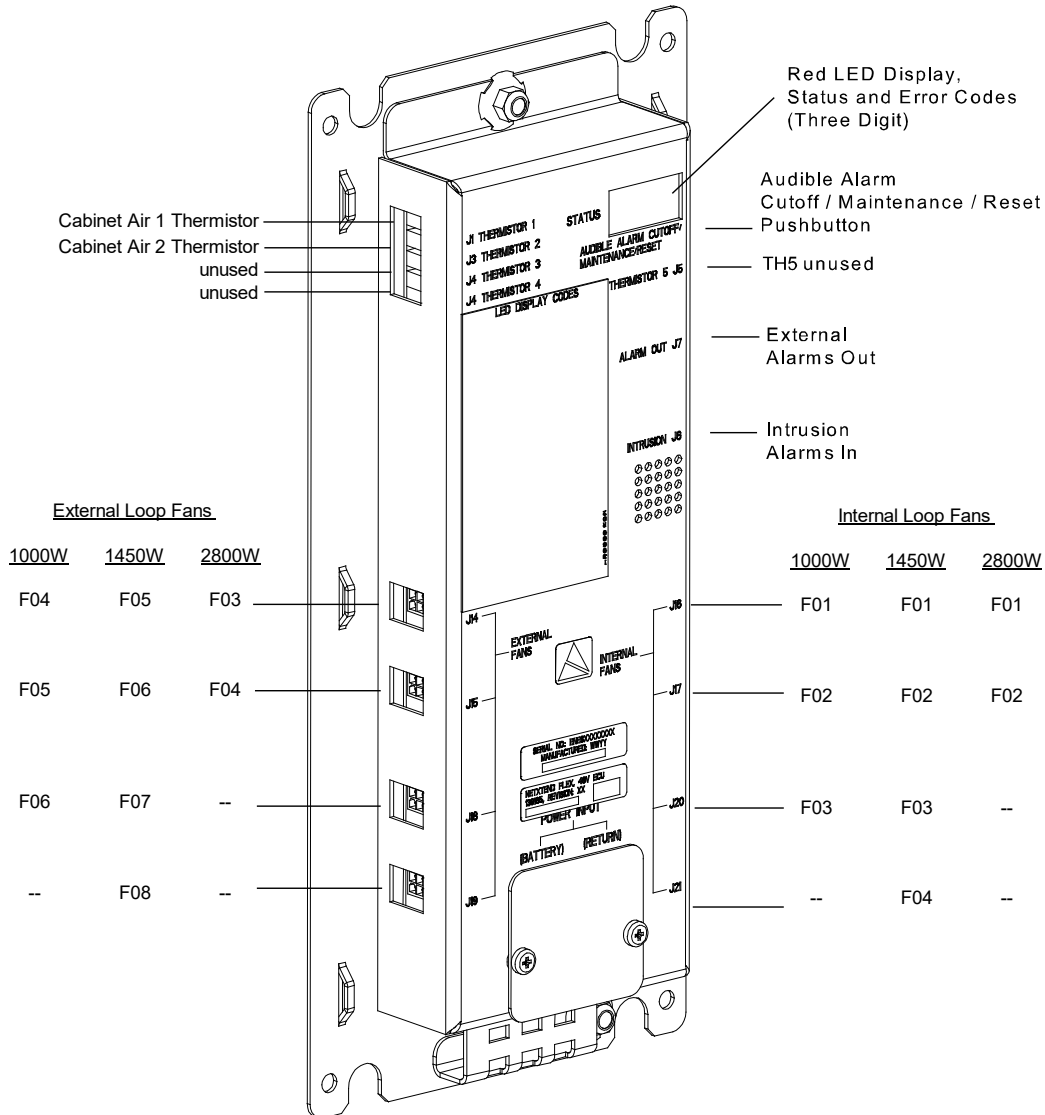
- 1000W Heat Exchanger - 6 fans (3 internal loop / 3 external loop)
- 1450W Heat Exchanger - 8 fans (4 internal loop / 4 external loop)
- 2800W Heat Exchanger - 4 fans (2 internal loop / 2 external loop)

All heat exchangers also include (2) enclosure thermistors. See next section for further detail.



NOTE! APC (Acoustic Pleasing Code) fan codes are used. Fan RPM's are limited to approximately 1/3 fan speed up until approximately 60°C internal temperature. This is done to optimize the enclosure acoustic performance (i.e., keep the enclosure quiet), while maximizing the heat exchanger performance. The fan speeds are dictated strictly by reading the enclosure's internal temperature via the two supplied thermal sensors.

Figure 14.5 +24Vdc ECU



LED DISPLAY CODES	
UP	- CONTROLLER OK
C01, C02	- FAN PCB FAILURE
d01	- DOOR OPEN
d02	- DOOR AJAR
d03	- MAINTENANCE MODE
E01	- TH1 FAIL (INTERNAL #1)
E02	- TH2 FAIL (INTERNAL #2)
E07	- HIGH TEMP #1
E08	- HIGH TEMP #2
E12	- LOW TEMP #1
E13	- LOW TEMP #2
F01-J16	INTERNAL FAN #1 FAIL
F02-J17	INTERNAL FAN #2 FAIL
F03-J20	INTERNAL FAN #3 FAIL
F04-J14	EXTERNAL FAN #1 FAIL
F05-J15	EXTERNAL FAN #2 FAIL
F06-J18	EXTERNAL FAN #3 FAIL

1000W

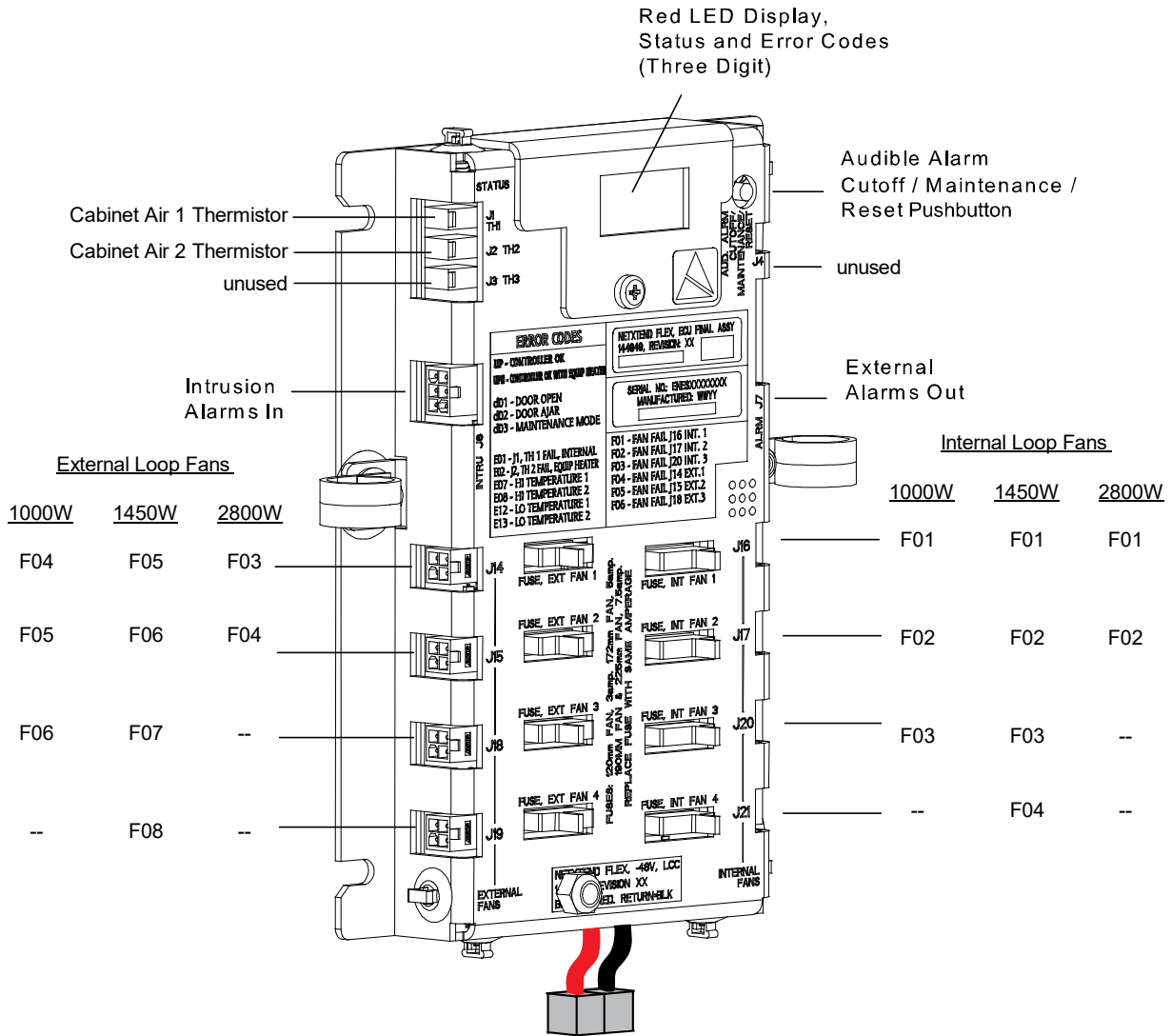
LED DISPLAY CODES	
UP	- CONTROLLER OK
C01, C02	- FAN PCB FAILURE
d01	- DOOR OPEN
d02	- DOOR AJAR
d03	- MAINTENANCE MODE
E01	- TH1 FAIL (INTERNAL #1)
E02	- TH2 FAIL (INTERNAL #2)
E07	- HIGH TEMP #1
E08	- HIGH TEMP #2
E12	- LOW TEMP #1
E13	- LOW TEMP #2
F01-J16	INTERNAL FAN #1 FAIL
F02-J17	INTERNAL FAN #2 FAIL
F03-J20	INTERNAL FAN #3 FAIL
F04-J21	INTERNAL FAN #4 FAIL
F05-J14	EXTERNAL FAN #1 FAIL
F06-J15	EXTERNAL FAN #2 FAIL
F07-J18	EXTERNAL FAN #3 FAIL
F08-J19	EXTERNAL FAN #4 FAIL

1450W

LED DISPLAY CODES	
UP	- CONTROLLER OK
C01, C02	- FAN PCB FAILURE
d01	- DOOR OPEN
d02	- DOOR AJAR
d03	- MAINTENANCE MODE
E01	- TH1 FAIL (INTERNAL #1)
E02	- TH2 FAIL (INTERNAL #2)
E07	- HIGH TEMP #1
E08	- HIGH TEMP #2
E12	- LOW TEMP #1
E13	- LOW TEMP #2
F01-J16	INTERNAL FAN #1 FAIL
F02-J17	INTERNAL FAN #2 FAIL
F03-J14	EXTERNAL FAN #1 FAIL
F04-J15	EXTERNAL FAN #2 FAIL

2800W

Figure 14.6 -48Vdc ECU



LED DISPLAY CODES	
UP	– CONTROLLER OK
UPH	– CONTROLLER OK WITH EQUIP HEATER
d01	– DOOR OPEN
d02	– DOOR AJAR
d03	– MAINTENANCE MODE
E01	– J1, TH 1 FAIL, INTERNAL
E02	– J2, TH 2 FAIL, EQUIP HEATER
E07	– HI TEMPERATURE 1
E08	– HI TEMPERATURE 2
E12	– LO TEMPERATURE 1
E13	– LO TEMPERATURE 2
F01	– FAN FAIL J16 INT. 1
F02	– FAN FAIL J17 INT. 2
F03	– FAN FAIL J20 INT. 3
F04	– FAN FAIL J14 EXT. 1
F05	– FAN FAIL J15 EXT. 2
F06	– FAN FAIL J18 EXT. 3

1000W

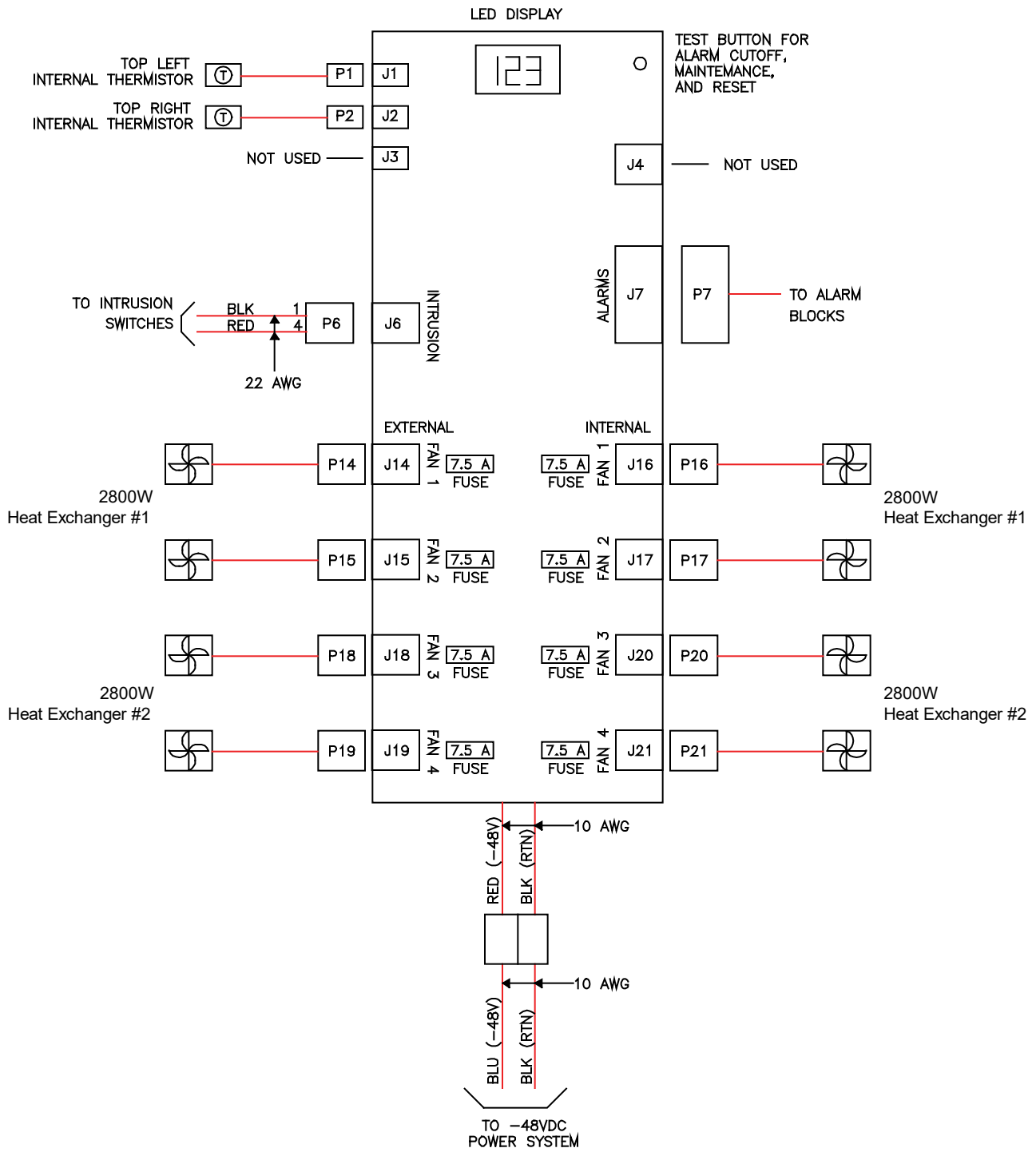
LED DISPLAY CODES	
UP	– CONTROLLER OK
UPH	– CONTROLLER OK WITH EQUIP HEATER
d01	– DOOR OPEN
d02	– DOOR AJAR
d03	– MAINTENANCE MODE
E01	– J1, TH 1 FAIL, INTERNAL
E02	– J2, TH 2 FAIL, EQUIP HEATER
E07	– HI TEMPERATURE 1
E08	– HI TEMPERATURE 2
E12	– LO TEMPERATURE 1
E13	– LO TEMPERATURE 2
F01	– FAN FAIL J16 INT. 1
F02	– FAN FAIL J17 INT. 2
F03	– FAN FAIL J20 INT. 3
F04	– FAN FAIL J21 INT. 4
F05	– FAN FAIL J14 EXT. 1
F06	– FAN FAIL J15 EXT. 2
F07	– FAN FAIL J18 EXT. 3
F08	– FAN FAIL J19 EXT. 4

1450W

LED DISPLAY CODES	
UP	– CONTROLLER OK
UPH	– CONTROLLER OK WITH EQUIP HEATER
d01	– DOOR OPEN
d02	– DOOR AJAR
d03	– MAINTENANCE MODE
E01	– J1, TH 1 FAIL, INTERNAL
E02	– J2, TH 2 FAIL, EQUIP HEATER
E07	– HI TEMPERATURE 1
E08	– HI TEMPERATURE 2
E12	– LO TEMPERATURE 1
E13	– LO TEMPERATURE 2
F01	– FAN FAIL J16 INT. 1
F02	– FAN FAIL J17 INT. 2
F03	– FAN FAIL J14 EXT. 1
F04	– FAN FAIL J15 EXT. 2

2800W

Figure 14.7 ECU Wiring for Two (2) -48Vdc 2800W Heat Exchangers



14.1.3 ECU Control of the Heat Exchanger Thermal Components (+24VDC and -48VDC ECUs)

Vertiv™ XTE 601 enclosures have a typical ambient operating temperature range of -40°C to +46°C. The range of operating temperature for the equipment to be housed in the enclosure is -40°C to +65°C. The purpose of the heat exchanger is to remove heat dissipated from equipment while maintaining equipment inlet air temperature. By controlling enclosure air temperature, the ECU maximizes electronic equipment life. In addition, the ECU limits acoustic noise by reducing fan speeds when possible.

Refer to Table 14.2 and Table 14.3 for 'Heat Exchanger Temperature and Alarm States'.

Table 14.2 Heat Exchanger General Temperature Control States

State	Control Mode Setting
Cooling Range, from Fans "on" at approx. 40°C to 60°C set point #1	60°C set point #1
From 60°C Set Point #1 to 63°C Set Point #2	63°C set point #2
From 63°C Set Point #2 to between 65°C to 67°C	Full Speed Fans

Table 14.3 Heat Exchanger General Alarm States

State	Hi-Temp Alarm Condition	ECU Local LED Display	Remote Alarm Relay Output
1000W and 1450W Heat Exchangers, and 2800W Heat Exchanger	67°C	E07 E08	Relay #3 "Temp"

Enclosure Temperature Sensors

The ECU has two thermistors for sensing air temperature. Both are located inside the enclosure and determine the Enclosure Air Temperature ($T_{\text{enclosure}}$). ($T_{\text{enclosure}}$ is defined as the highest temperature measured of the two enclosure air sensors.)

The enclosure air thermistors are factory placed as follows:

- Enclosure Air 1 Thermistor is located at the heat exchanger return vent.
- Enclosure Air 2 Thermistor is located on the rack at the highest point in the enclosure. The placement of this thermistor is flexible and may be relocated by the customer to the intake of a critical piece of equipment. Remember, the ECU bases cooling on the hotter of the two enclosure air sensors.

Fan Speed Control Scheme

See Figure 14.8 and Figure 14.9 for Fan Speed vs. Internal Temperature charts.

- Fan speed is determined by the enclosure air temperature readings.
- The speed of internal loop fans is controlled separately from the speed of external loop fans.
- Once a bank of fans has turned "on", all fans in the bank run.
- Once either bank of fans turns "on", the other fan bank also turns on to maximize cooling.
- If the temperature reaches 40°C (104°F) inside the enclosure at either internal thermistor, ALL FANS RUN.
- Typically, all fans will be OFF if the internal temperature falls to 35°C (95°F).
- The ECU varies the speed of the fans between OFF and Maximum Fan Speed for the various ranges to maintain $T_{\text{enclosure}}$ at the Set Point Temperature.

- All fans will slow and eventually shutoff for any enclosure temperature less than the Set Point Temperature (see above).
- **High Temperature Override:** If $T_{\text{enclosure}}$ exceeds 67°C at any time, the ECU overrides the Maximum Internal and External Fan speed limits and runs all fans at maximum speed. Fans return to normal speed control when $T_{\text{enclosure}}$ is reduced to 60°C.
- **Minimum Run Time:** To prevent rapid cycling of the fans, the ECU has a minimum run time and a minimum off time for fans. Once fans are turned on, they run for a minimum of 5 minutes. Once fans are turned off, they remain off for a minimum of 5 minutes.
- **Exception to Minimum Run Time:** If $T_{\text{enclosure}}$ goes above Set Point +5°C, the minimum off time is overridden, to prevent enclosure air temperature from exceeding the maximum operating limit of the equipment. If $T_{\text{enclosure}}$ goes below the Set Point -5°C, the minimum run time is overridden, to prevent enclosure air temperature from falling excessively low in temperature.
- **Fault Conditions:** Refer to the next section titled "Failure Modes".

14.1.4 Failure Modes

In general, the application accounts for single points of failure. Failures will cause the enclosure to enter a *system fault* mode in which cooling device is turned full on. Refer to Table 14.4 for a Fault Condition Summary.

Table 14.4 Fault Condition Summary

Fan Failure	Thermistor Failure		Over Temp	Under Temp
	Enclosure Air 1	Enclosure Air 2		
Remaining Fans operate normally	All Fans Full Speed	All Fans Full Speed	All Fans Full Speed	All Fans Off

Thermistor Failure Open or Short

Enclosure enters *fault* mode.

Fan Speed Low

A fan alarm is detected when a fan is commanded to run at a specified rpm and the actual rpm detected is not within an acceptable tolerance. Enclosure enters *fault* mode.

Figure 14.8 Fan Speed vs. Internal Temperature (1000 & 1450W Heat Exchangers)

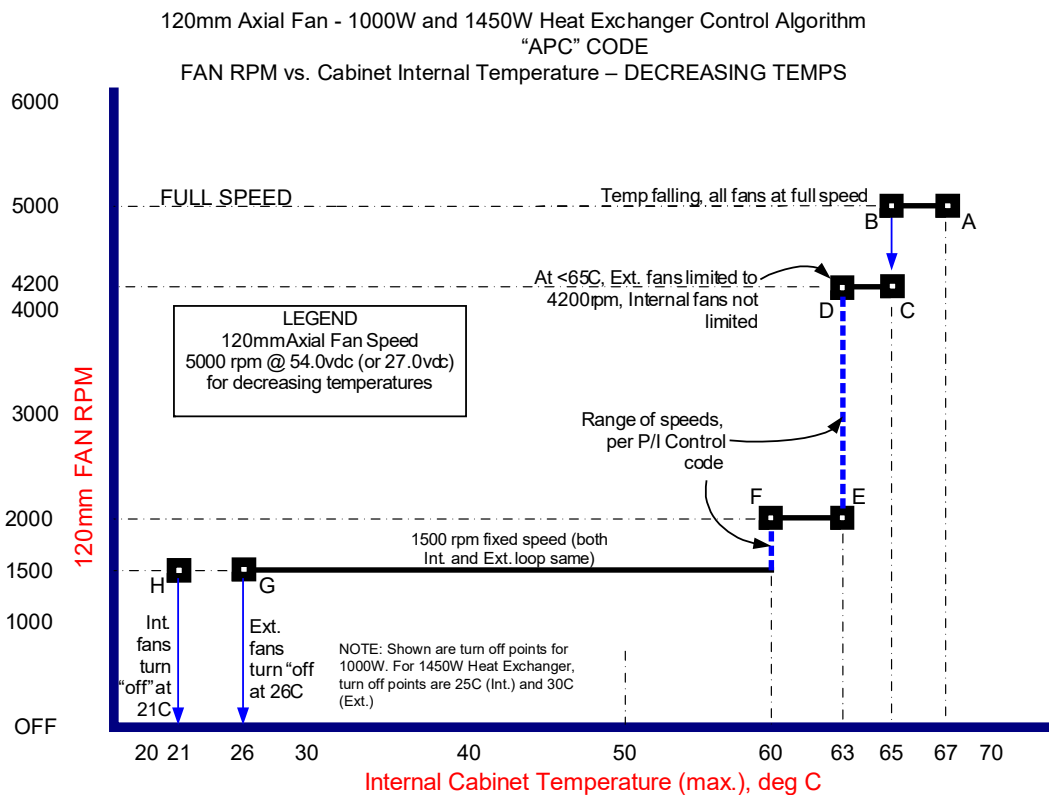
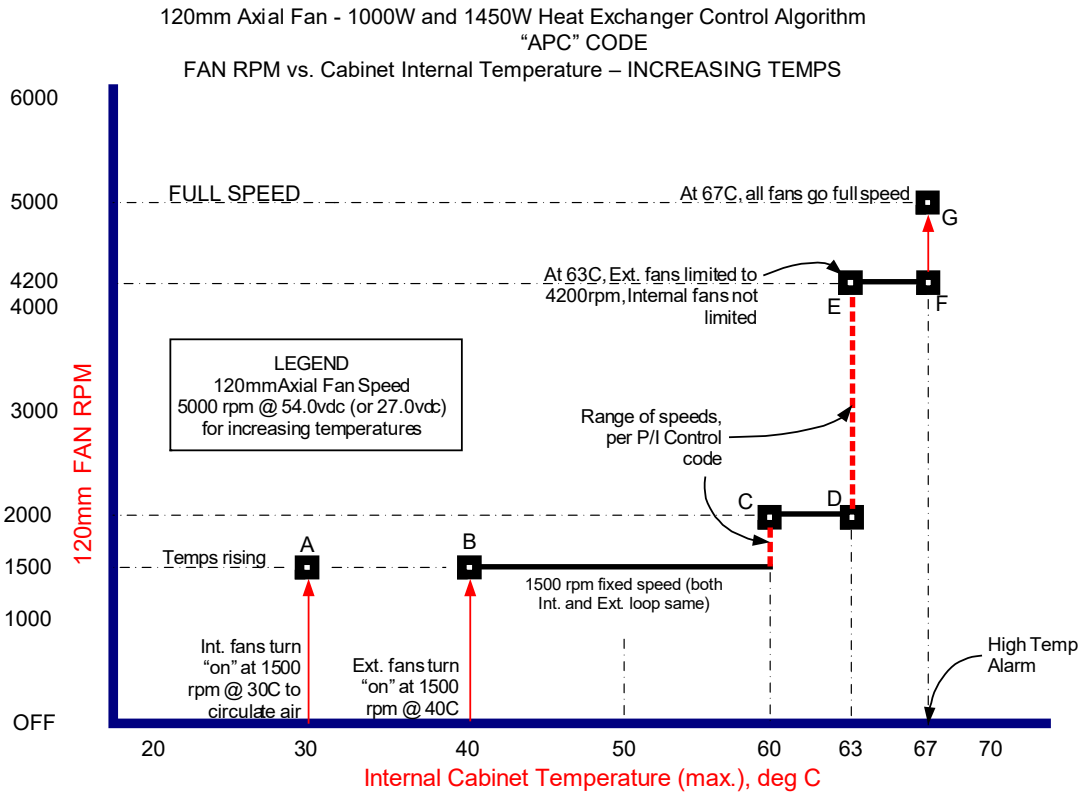
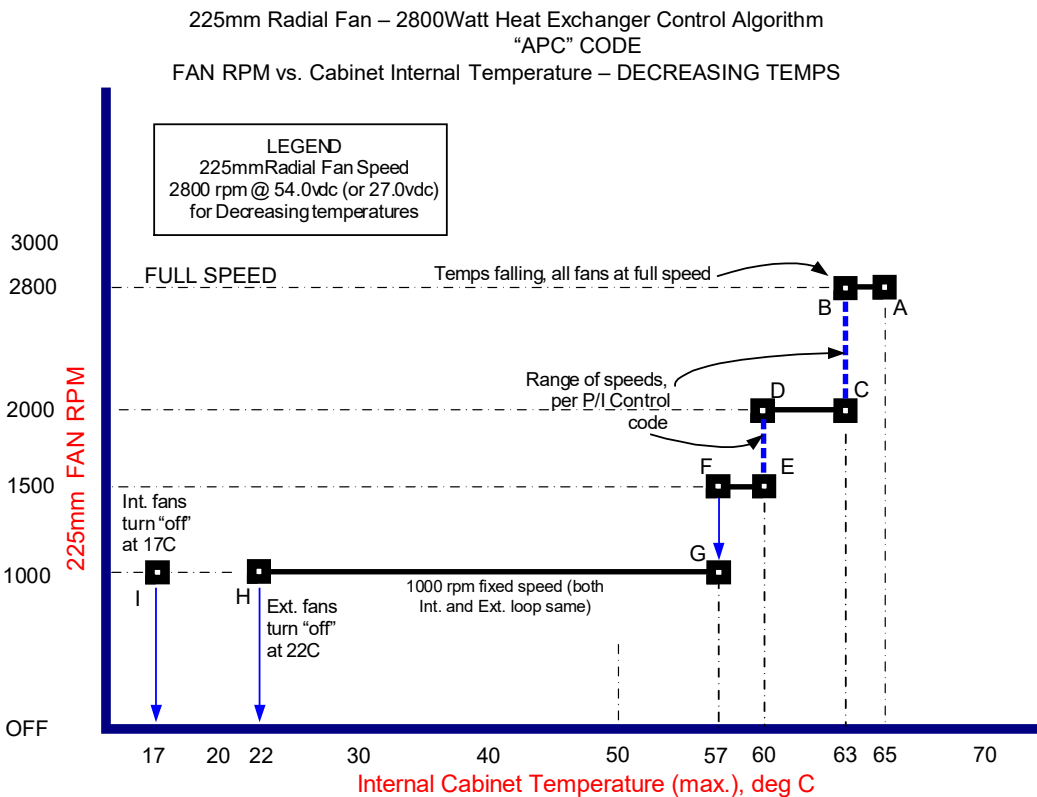
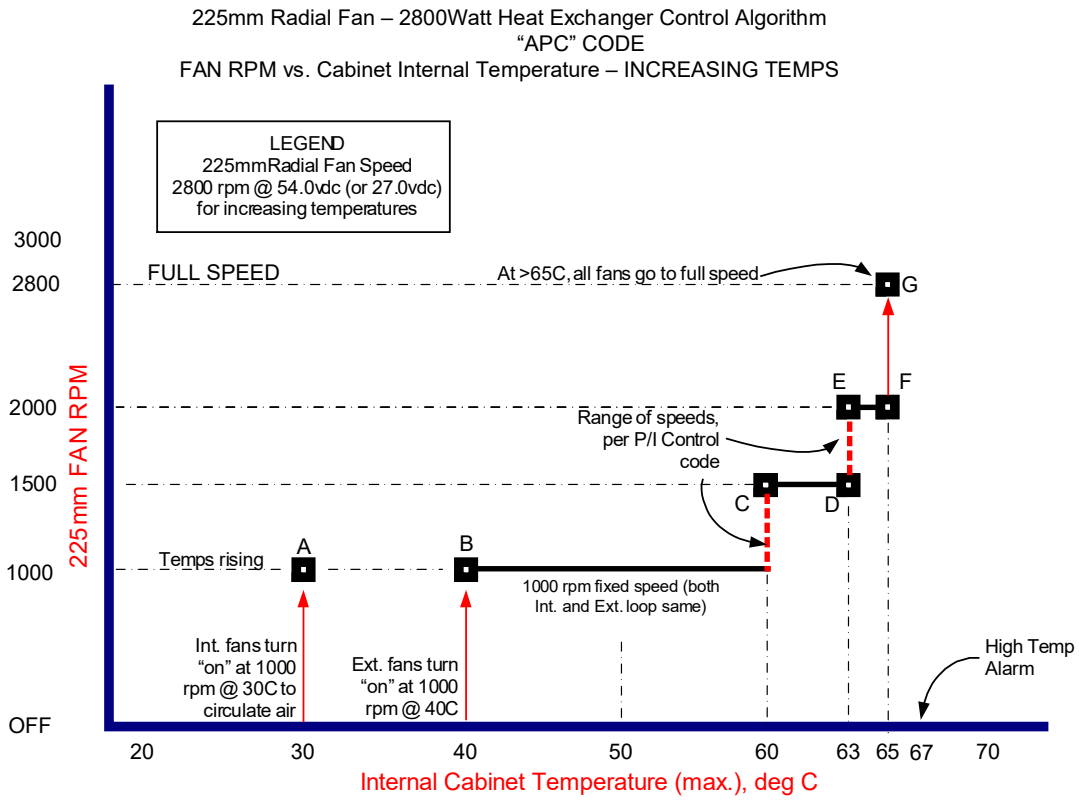


Figure 14.9 Fan Speed vs. Internal Temperature (2800W Heat Exchanger)



14.1.5 ECU User Interface (+24VDC and -48VDC ECUs)

Initial Start-Up Sequence

When power is first applied to the ECU, the ECU goes through the following Start-Up sequence.

Start-Up Sequence

1. Firmware revision number displays. The ECU displays "FC" followed by a 3-digit number. Applicable code in this practice is Version "2.0.0" or later.
2. 1000W and 1450W HX: All fans run at full speed for 30-45 seconds to detect any fault conditions, then fan speeds will decrease gradually to the normal operation mode based upon the sensing thermistors, per code operation curves.



NOTE! If either enclosure door is open during turn-up, the alarm buzzer sounds and a d01 door open alarm appears on the front ECU display. To silence the buzzer and clear the d01 alarm for 30 minutes, momentarily depress the Audible Alarm Cutoff / Maintenance / Reset pushbutton located on the ECU (see **Figure 14.5**). This also inhibits the remote intrusion alarm from being sent and turns all fans and components "OFF" for 30 minutes.

3. "UP" displays (if everything is operating as expected and there were no problems found with any component).
or
Continuous cycle of error codes if any faults detected.
4. When a call for cooling occurs, the code requires the cooling fans to run a minimum of 5 minutes. Unless temperatures fall to 29°C, the code will shut down the fans (so no thermal shock occurs to the equipment).

LED Display Codes

Refer to Table 14.5.

Table 14.5 LED Display Codes

Code ¹	Description	External Alarm
UP	Controller OK	--
PC	Product Code	--
xxx	Product Code (follows PC) (xxx = 000-999)	--
FC	Firmware Code (revision)	--
N.N.N	Firmware Code (revision) (follows FC) (N = 0-9)	--
C01 24VDC only	Fan PCB 1 Communication Failure	HVAC Major Alarm
C02 24VDC only	Fan PCB 2 Communication Failure (1000W and 1450W HX only)	HVAC Major Alarm
d01	Intrusion Open (software does not treat as alarm resulting in a system fault condition)	Intrusion Alarm
d02	Intrusion Ajar (software does not treat as alarm resulting in a system fault condition)	Intrusion Alarm
d03 (followed by minutes remaining in maintenance mode or seconds remaining if less than 1 minute)	Maintenance Mode	--
E01	TH1 (Thermistor) Fail (Enclosure Air 1) (Note: E07 and E12 inhibited)	HVAC Major Alarm

Code ¹	Description	External Alarm
E02	TH2 (Thermistor) Fail (Enclosure Air 2) (Note: E08 and E13 inhibited)	HVAC Major Alarm
E06	Voltage High/Low	High/Low ECU Voltage
E07	High Temperature (Enclosure Air 1) (inhibited by E01)	Temperature Alarm
E08	High Temperature (Enclosure Air 2) (inhibited by E02)	Temperature Alarm
E12	Low Temperature (Enclosure Air 1) (inhibited by E01)	Temperature Alarm
E13	Low Temperature (Enclosure Air 2) (inhibited by E03)	Temperature Alarm
F01	Fan #1 Fail ^{2,3}	HVAC Major Alarm
F02	Fan #2 Fail ^{2,3}	HVAC Major Alarm
F03	Fan #3 Fail ^{2,3}	HVAC Major Alarm
F04	Fan #4 Fail ^{2,3}	HVAC Major Alarm
F05	Fan #5 Fail ^{2,3}	HVAC Major Alarm
F06	Fan #6 Fail ^{2,3}	HVAC Major Alarm
F07	Fan #7 Fail ^{2,3}	HVAC Major Alarm
F08	Fan #8 Fail ^{2,3}	HVAC Major Alarm
¹ Display cycles continuously through all active messages. ² Fan fail alarms are latched until controller is reset by depressing reset button on side of ECU. ³ See Figure 14.5 for fan fail code identification.		

External Alarms

The ECU provides the following external alarms.

- **HVAC Major Alarm:** Activates if any of the following conditions occur.
 - One or more fans failed.
Note that an unplugged fan will not alarm unless the ECU tells it to turn ON.
 - Thermistor 1, or 2 failed or is open.
 - ECU board communications failure.
- **Intrusion Alarm:** Activates if any door is opened as all doors are equipped with intrusion switches.
- **High / Low Temperature Alarm:** Activates during a high or low temperature condition inside the enclosure as measured by either temperature sensor.

Intrusion Alarm

Whenever the front door is opened, an intrusion alarm activates. The intrusion alarm...

- Displays Code d01 (Door Open) on the ECU LED display.
- Activates an audible alarm.
- Activates an external intrusion alarm, if connected.
- Turns all fans off (if there are no major alarms).

- Starts an intrusion alarm timer (30 minute timer).

To Disable Audible Alarm

To disable the audible alarm, momentarily depress the Audible Alarm Cutoff / Maintenance / Reset pushbutton located on the ECU. See Figure 14.5 for location. This cancels the intrusion alarm and restarts the intrusion alarm timer, providing the enclosure temperature is less than its high temperature alarm limit.

Intrusion Alarm Timer

If the door is not closed before the 30 minute timer expires (or 30 minutes elapse after depressing the Audible Alarm Cutoff pushbutton), the following occurs.

- Code d02 (Door Ajar) displays on the ECU LED display.
- Audible alarm (if silenced) re-activates.
- External intrusion alarm (if silenced) re-activates.
- All fans turn on.
- Thermal control is restored.

Maintenance Mode

The system can be placed into the Maintenance Mode to perform such tasks as fan replacement. To enter the Maintenance Mode, open the front door and depress the Audible Alarm Cutoff / Maintenance / Reset pushbutton located on the ECU for more than 5 seconds but less than 10 seconds. See Figure 14.5 for the pushbutton location in the ECU. The following occurs.

- The system is placed into the Maintenance Mode for 60 minutes.
- The audible alarm is turned off.
- All thermal devices are turned off.
- Code d03 (Maintenance Mode) displays on the ECU LED display, along with a countdown of the minutes remaining.



NOTE! The display continues to cycle through all other active messages.



NOTE! When the time remaining is down to 1 minute or less, the audible buzzer will beep as a warning that this mode will be exited and the fans may start. The display continues to cycle through all active messages.

Manually Exiting Maintenance Mode

Maintenance Mode can be exited by closing the door or when you depress the Audible Alarm Cutoff / Maintenance / Reset pushbutton for more than 10 seconds.

Resetting the Maintenance Mode

To reset the Maintenance Mode for another 60 minutes, depress the Audible Alarm Cutoff / Maintenance / Reset pushbutton for more than 5 seconds but less than 10 seconds.

Resetting the ECU

To reset (restart) the ECU, open the front door and depress the Audible Alarm Cutoff / Maintenance / Reset pushbutton located on the ECU for more than 10 seconds. See Figure 14.5 for location.



NOTE! The ECU is reset if a hard power down (remove ECU input voltage) and power up occurs.

Table 14.6 Air Conditioning in Dual Bay Vertiv™ XTE 601 Enclosures for 42"Wx46"D Sizes

	2000 BTU	4000 BTU	8000 BTU	19000 BTU	Max Capacity
8RU	N/A	N/A	N/A	N/A	N/A
12RU	N/A	N/A	N/A	N/A	N/A
17RU	YES	YES	N/A	N/A	YES 4000 BTU
22RU	N/A	N/A	N/A	N/A	N/A
27RU	YES	YES	YES	YES	YES 19000 BTU
32RU	N/A	N/A	N/A	N/A	N/A

Table 14.7 Air Conditioning in Dual Bay Vertiv™ XTE 601 Enclosures for 72"W x 32"D Sizes

	2000 BTU	4000 BTU	8000 BTU	19000 BTU	Max Capacity
8RU	N/A	N/A	N/A	N/A	N/A
12RU	N/A	N/A	N/A	N/A	N/A
17RU	N/A	N/A	N/A	N/A	N/A
22RU	N/A	N/A	N/A	N/A	N/A
27RU	YES	YES	YES	YES	YES 19000 BTU (2x)
32RU	N/A	N/A	N/A	N/A	N/A

Table 14.8 Air Conditioning in Dual Bay Vertiv™ XTE 601 Enclosures for 84"W x 32"D Sizes

	2000 BTU	4000 BTU	8000 BTU	19000 BTU	Max Capacity
8RU	N/A	N/A	N/A	N/A	N/A
12RU	N/A	N/A	N/A	N/A	N/A
17RU	N/A	N/A	N/A	N/A	N/A
22RU	N/A	N/A	N/A	N/A	N/A
27RU	YES	YES	YES	YES	YES 19000 BTU (2x)
32RU	N/A	N/A	N/A	N/A	N/A

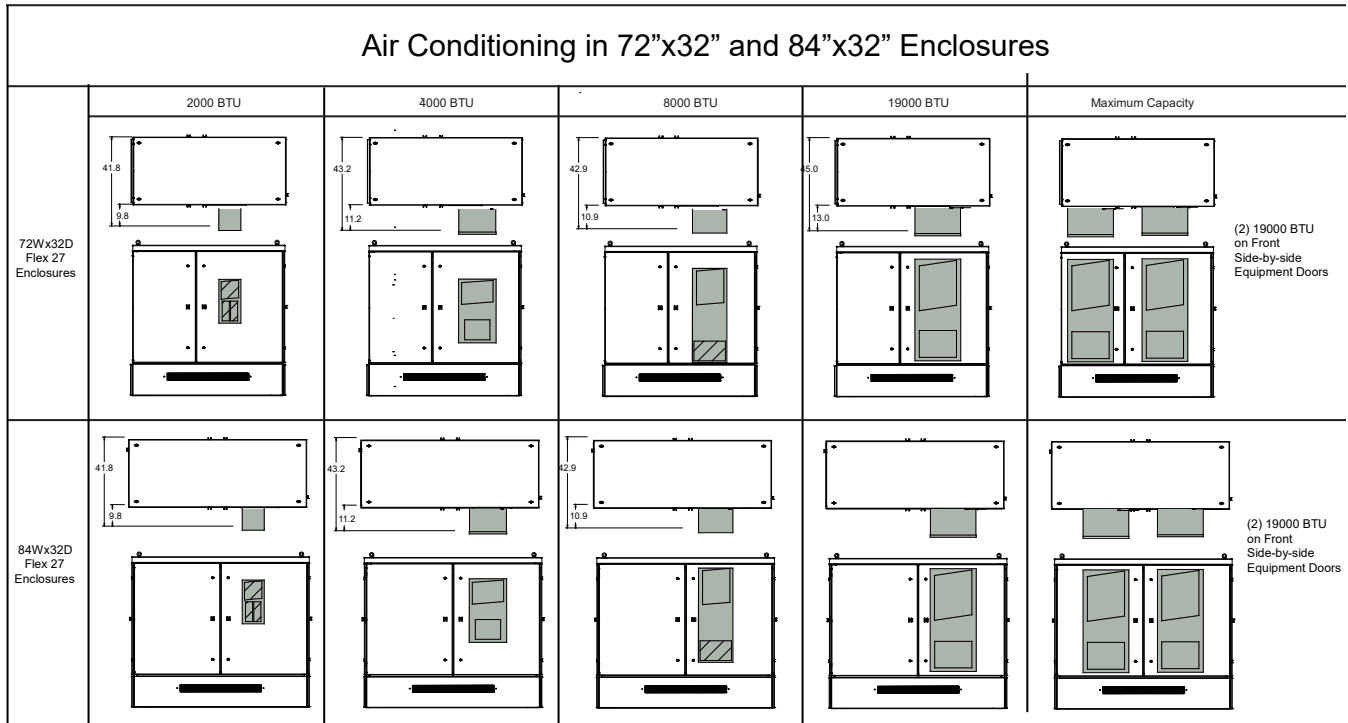
14.2 Air Conditioners

Refer to this section when the enclosure is equipped with an air conditioner.

Figure 14.10 Air Conditioners (46-inch Deep Enclosures)

Air Conditioning in 42"x46" Enclosures					
	2000 BTU	4000 BTU	8000 BTU	19000 BTU	Maximum Capacity
42Wx46D Flex 17 Enclosures			<p>Not Available in this Enclosure Size.</p>	<p>Not Available in this Enclosure Size.</p>	<p>4000 BTU</p>
42Wx46D Flex 27 Enclosures					<p>19000 BTU</p>

Figure 14.11 Air Conditioners (32-inch Deep Enclosures)



14.2.1 Environmental Controls

If air conditioner cooling is used, the air conditioner is controlled via its own built in internal controls.

14.2.2 User Interface

The air conditioner is an independent unit. Refer to the instructions supplied by the air conditioner manufacturer.

15 Replacement Parts and Procedures

15.1 Heat Exchanger Fan Replacement



DANGER! ELECTRICAL HAZARD/MECHANICAL HAZARD.

RISK OF ELECTRIC SHOCK OR BEING CUT BY MOVING FAN BLADES. BEFORE REPLACING ANY FAN, DISCONNECT POWER TO THE ENVIRONMENTAL CONTROL UNIT (ECU).

15.1.1 You Will Need

To replace one of the heat exchanger's fans, you will need the following tools.

- Proper Tool to Unlatch the Door (if equipped with security latches)
- Standard Telco Socket Wrench Set (including 0.44 (7/16) socket)
- Standard Mechanic Telco Tools
- (2) sets of No. 4 flat washers, 4-40 external lock washers and 4-40 x 1.375 pan-head machine screws for each replacement fan
- Replacement Fan

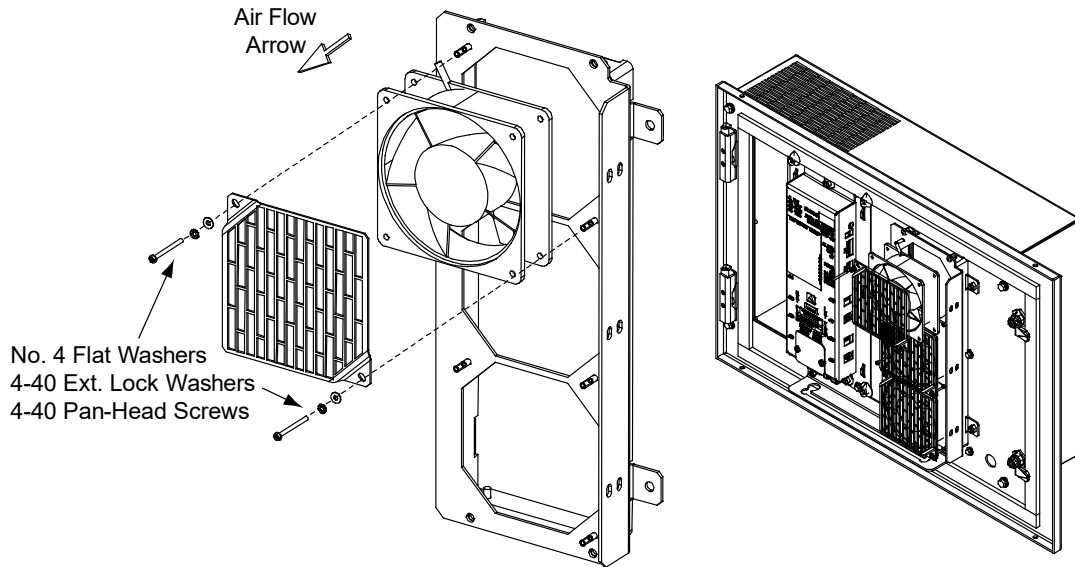
15.1.2 Replacing an Internal or External Fan (1000W and 1450W Heat Exchanger)

Perform the following steps to replace an internal or external fan on a 1000W or 1450W Heat Exchanger. Refer to Figure 15.1 and Figure 15.2.

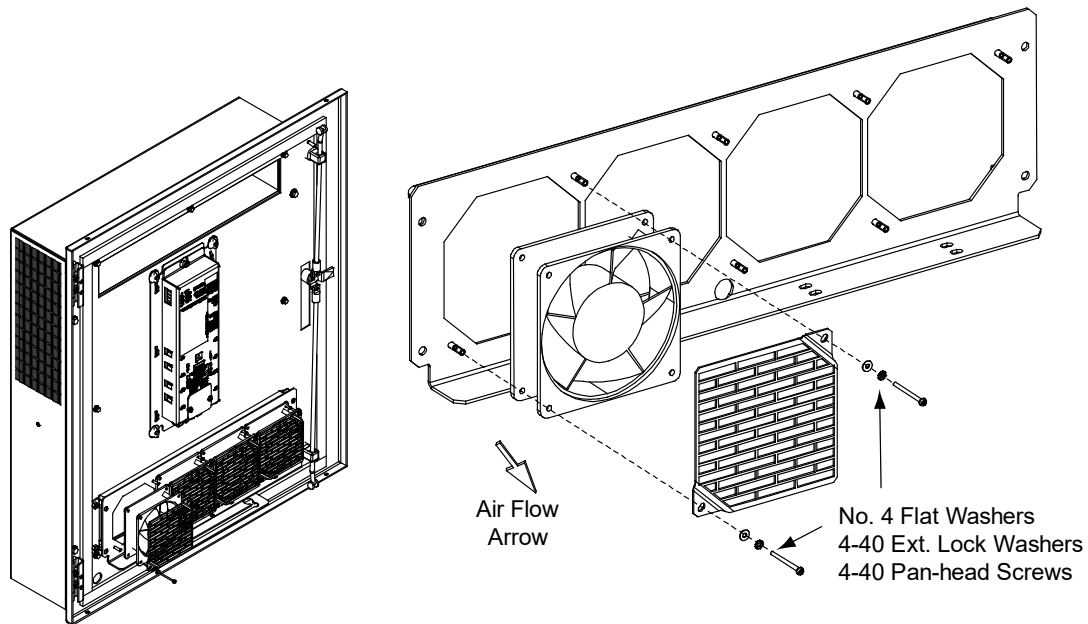
1. Remove the padlock from the enclosure door on which the heat exchanger is mounted, if present.
2. Open the enclosure door.
3. Secure the door in the open position with the wind latch.
4. Using the ECU Status, identify the fan to be replaced and its location.
5. Verify that the replacement fan is of the appropriate model.
6. Temporarily disconnect power to the ECU by separating the in-line connectors in the ECU power cable.
7. For an external fan, on the inside of the door, remove the bolts securing the Heat Exchanger's shroud. Set the shroud and hardware safely aside.
8. Disconnect the defective fan's power lead connector.
9. For proper orientation of the replacement fan, note the location of the fan wires and the air flow arrows on the defective fan. Remove the two sets of screw, flat washer, and lock washer securing the defective fan in place. Remove the fan and discard. Save the fan mounting hardware for re-use.
10. Install the replacement fan and secure it in place using the hardware removed above. Ensure the fan wires and air flow arrows match the orientation noted above.
11. Plug the connector of the replacement fan into the connector vacated when disconnecting the defective fan. Verify that the connector is fully seated in the mating connector.
12. For an external fan, replace the heat exchanger's shroud.

13. Reconnect power to the ECU by mating the in-line ECU power cable connectors.
14. Monitor the ECU to make sure that the replacement fan is powered up and that it initializes, calibrates and goes into steady state.
15. Close the enclosure door on which the heat exchanger is mounted.
16. Replace the door padlock, if required.

Figure 15.1 1000W and 1450W Heat Exchanger Internal Fan Replacement

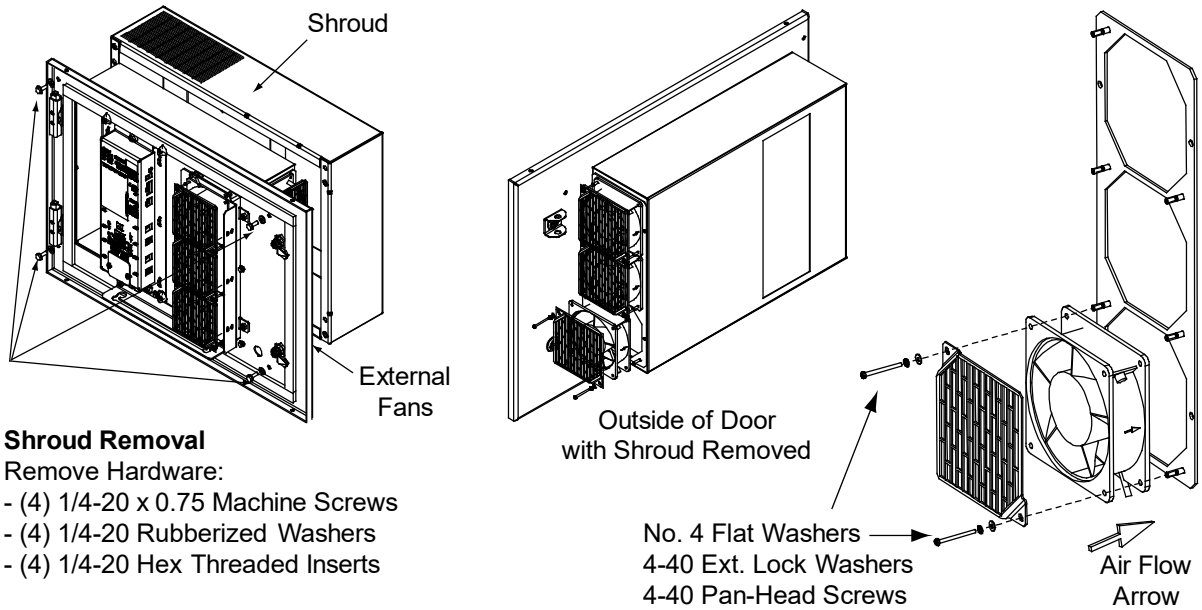


1000W Heat Exchanger Internal Fan Replacement

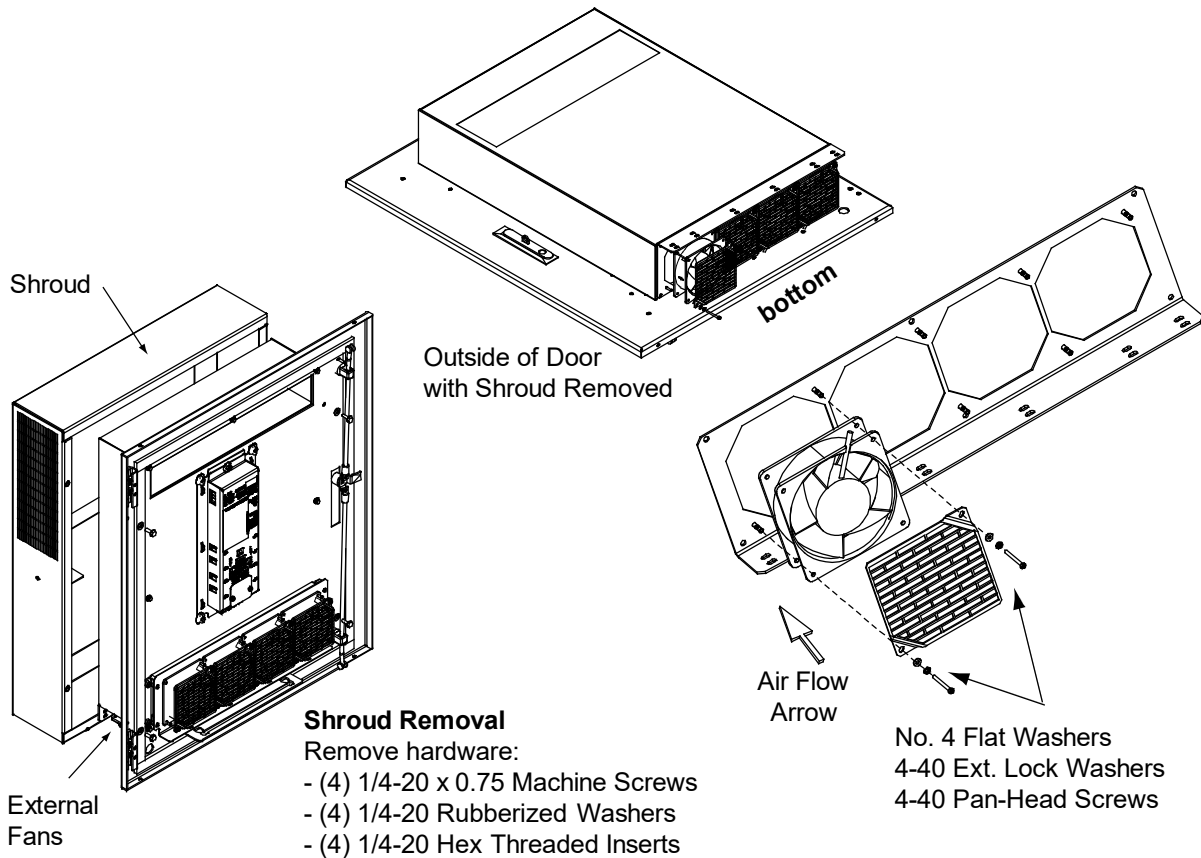


1450W Heat Exchanger Internal Fan Replacement

Figure 15.2 1000W and 1450W Heat Exchanger External Fan Replacement



1000W Heat Exchanger External Fan Replacement



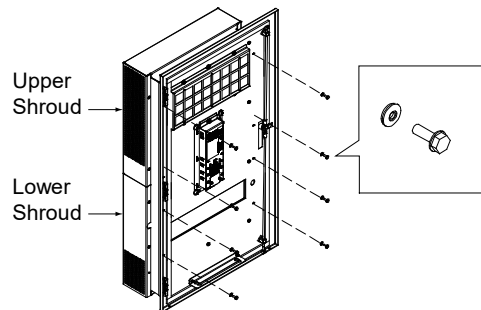
1450W Heat Exchanger External Fan Replacement

15.1.3 Replacing an Internal or External Fan (2800W Heat Exchanger)

Perform the following steps to replace an internal or external fan on a 2800W Heat Exchanger.

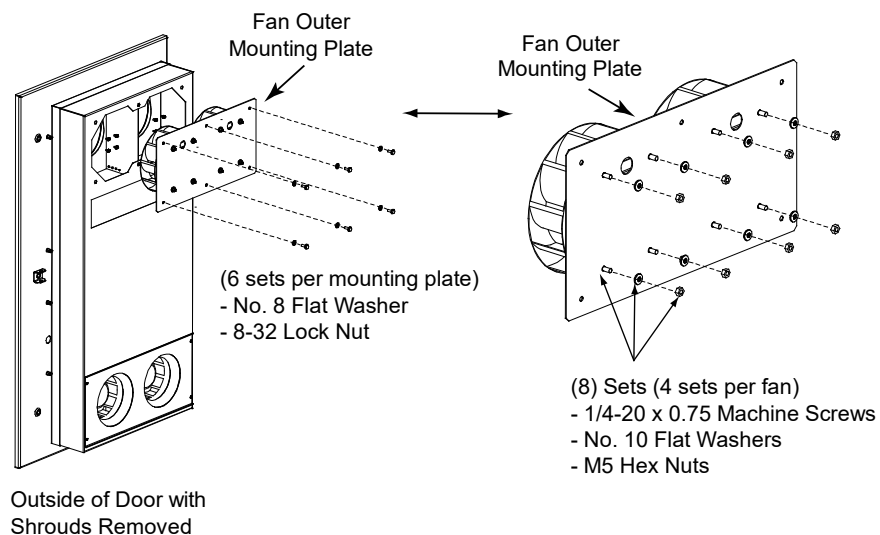
1. Remove the padlock from the enclosure door on which the heat exchanger is mounted, if present.
2. Open the enclosure door.
3. Secure the door in the open position with the wind latch.
4. Using the ECU Status, identify the fan to be replaced and its location.
5. Verify that the replacement fan is of the appropriate model.
6. Temporarily disconnect power to the ECU by separating the in-line connectors in the ECU power cable.
7. On the inside of the door, remove the bolts securing the Heat Exchanger's upper shroud (internal fan) or lower shroud (external fan). Set the shroud and hardware safely aside. Refer to Figure 15.3.

Figure 15.3 Removing the Fan Shroud



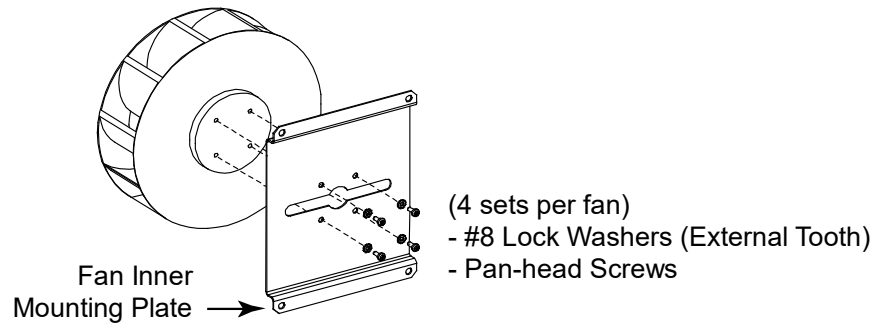
8. For an internal fan, perform the following steps. Save all hardware for re-use.
 - a) Remove the top (3) and bottom (3) sets of bolts and lock washers from the fan outer mounting plate. Refer to Figure 15.4.

Figure 15.4 Removing the Fan Outer Mounting Plate



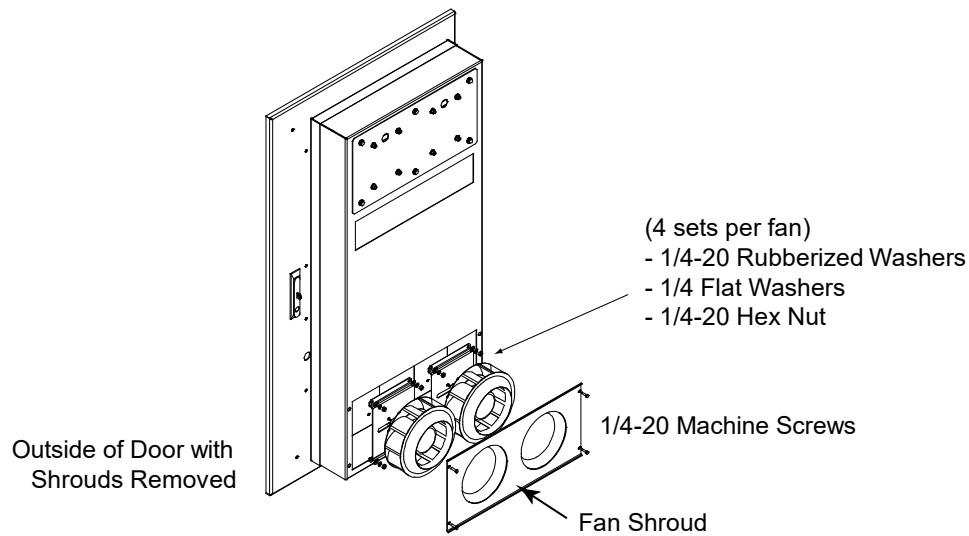
- b) Carefully slide the fan outer mounting plate with fans attached out far enough to disconnect the fan connectors.
- c) Set the fan outer mounting plate with fans attached on a suitable work surface.
- d) Remove the defective fan with inner mounting plate attached from the fan outer mounting plate by removing the (4) sets of nuts and lock washers. Refer to Figure 15.5.
- e) Separate the defective fan from the fan inner mounting plate by removing the (4) sets of screws and star washers. Discard the defective fan.

Figure 15.5 Removing the Fan Inner Mounting Plate



- f) Attach the replacement fan to the fan inner mounting plate with the (4) sets of screws and star washers previously removed.
 - g) Attach the inner mounting plate with replacement fan attached to the fan outer mounting plate with the (4) sets of nuts and lock washers previously removed.
 - h) Carefully slide the fan outer mounting plate with fans attached into the mounting position far enough to reconnect the fan connectors.
 - i) Slide the fan outer mounting plate with fans attached all the way in and secure with the top (3) and bottom (3) sets of bolts and lock washers previously removed.
9. For an External Fan, perform the following steps. Save all hardware for re-use.
- a) Remove the fan shroud from the external fans by removing the (4) screws. Save the fan shroud and hardware. Refer to Figure 15.6.
 - b) Remove the defective fan with inner mounting plate attached by removing the (4) sets of flat washers, lock washers, and nuts securing the fan inner mounting plate. Refer to Figure 15.6.
 - c) Carefully slide the defective fan with inner mounting plate attached out far enough to disconnect the fan connectors.
 - d) Set the fan inner mounting plate with fans attached on a suitable work surface.
 - e) Separate the defective fan from the fan inner mounting plate by removing the (4) sets of screws and star washers. Discard the defective fan. Refer to Figure 15.5.

Figure 15.6 Removing the Fan Shroud and Defective Fan



- f) Attach the replacement fan to the fan inner mounting plate with the (4) sets of screws and star washers previously removed.
 - g) Carefully slide the fan inner mounting plate with fans attached into the mounting position far enough to reconnect the fan connectors.
 - h) Slide the fan inner mounting plate with fans attached all the way in and secure with the (4) sets of flat washers, lock washers, and nuts previously removed.
10. Using the hardware previously removed, replace the heat exchanger's upper shroud (internal fan) or lower shroud (external fan).
 11. Reconnect power to the ECU by mating the in-line ECU power cable connectors.
 12. Monitor the ECU to make sure that the replacement fan is powered up and that it initializes, calibrates and goes into steady state.
 13. Close the enclosure door on which the heat exchanger is mounted.
 14. Replace the door padlock, if required.

15.2 ECU Replacement



DANGER! ELECTRICAL HAZARD/MECHANICAL HAZARD. RISK OF ELECTRIC SHOCK. BEFORE REPLACING ECU UNIT, DISCONNECT POWER TO ECU BY TURNING OFF ITS BREAKER OR REMOVING THE FUSE.

Before beginning this procedure, verify that you have all the materials required for installation.



NOTE! Please contact Vertiv OSP Spare Parts if any component is missing from the ECU replacement or retrofit kits. Contact information is located at the end of this document.

15.2.1 Removing Existing ECU Assembly

1. Locate the existing ECU from the door panel.
2. Disconnect all the existing ECU cable assemblies.
3. Remove the existing ECU and discard. Retain the mounting hardware for reuse.

15.2.2 Installing ECU

1. Secure the ECU to the door using the existing hardware.
2. Plug in cables to appropriate connection points.
3. Return the ECU's power breaker to its ON position and ensure the ECU is functioning properly, i.e. the text "UP" appears on its display.

15.2.3 Completing ECU Installation

After ECU set-up is complete, perform the following procedure:

- **Initial Start-up Sequence**
 1. Properly secure the cables.
 2. Clean up site according to local practices.
 3. Close and secure doors.

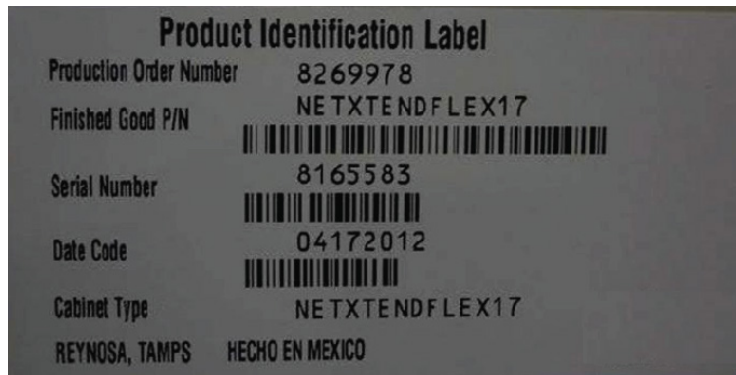
Contact local alarm center to notify work has been completed according to local practices.

16 When Field Replacement

16.1 Cabinet Identification

Prior to contacting Vertiv for support and/or replacement parts, note the enclosure part number, serial number, and manufactured date code, which can be found on the ID tag located on the inner surface of the equipment or splice chambers' doors.

Figure 16.1 Typical Identification Labels for Vertiv™ XTE 601



17 Accessories and Replacement Parts

Refer to the following tables for lists of accessories (AC) and replacement parts (RP).

Table 17.1 Available Accessories

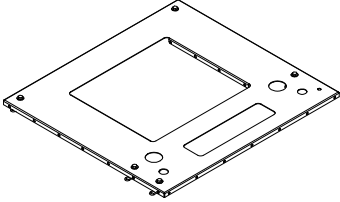
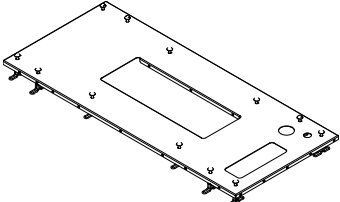
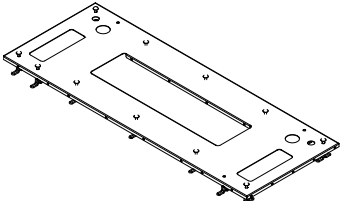
Description	Kit Part Number	Mtg Drill Pad Temp.	Footprint Size (WxD) [mm]	For Use With These Enclosures:
<p>Pad Mount Templates</p> 	<p>F1009685 (AC)</p>	<p>P/N 558209</p>	<p>42x46 [1067x1171]</p>	<p>Dual Bay + 1 Side Chamber</p>
	<p>F1009336 (AC)</p>	<p>P/N 558212</p>	<p>72X32 [1832x813]</p>	<p>Dual Bay + 1 Side Chamber</p>
	<p>F1009337 (AC)</p>	<p>P/N 558213</p>	<p>84x32 [2138x813]</p>	<p>Dual Bay + 2 Side Chambers</p>

Table 17.2 Reference, Protection Block Base Part Numbers * (AC)

Configuration	Wiring Configuration	Part Number	Stubbed Blocks No Connectors Installed *
RU 12, RU 17, RU 27, RU 32.	No dead pairs	550920	M307 BLK ASM, CAT3 24AWG SHLD W/ DRAIN FLD & EQP, LNG CBL
		550921	M307 BLK ASM, CAT3 24AWG SHLD W/ DRAIN FLD & EQP, SHRT CBL
		550922	M307 BLK ASM, CAT5 24AWG UNSHLD FLD & EQP, LNG CBL
		550923	M307 BLK ASM, CAT5 24AWG UNSHLD FLD & EQP, SHRT CBL
		550924	M307 BLK ASM, CAT5 24AWG SHLD W/ DRAIN EQ, UNSHLD FLD, LNG CBL
		550925	M307 BLK ASM, CAT5 24AWG SHLD W/ DRAIN EQ, UNSHLD FLD, SHRT CBL
RU 12, RU 17, RU 27, RU 32.	1-24 wired, 25 dead, 26-49 wired, 50 dead, 51-74 wired, 75 dead, 76-99 wired, 100 dead	553106	M307 BLK ASM, CAT3 24AWG SHLD'D FLD & EQP, LNG CBL
		553107	M307 BLK ASM, CAT3 24AWG SHLD'D FLD & EQP, SHRT CBL
		553108	M307 BLK ASM, CAT5 24AWG UNSHLD'D FLD & EQP, LNG CBL
		553109	M307 BLK ASM, CAT5 24AWG UNSHLD'D FLD & EQP, SHRT CBL
		553110	M307 BLK ASM, CAT5 24AWG UNSHLD FLD, SHLD'D EQ, LNG CBL
		553111	M307 BLK ASM, CAT5 24AWG UNSHLD FLD, SHLD'D EQ, SHRT CBL
	1-48 wired, 49-50 dead and 51-98 wired, 99-100 dead	553094	M307 BLK ASM, CAT3 24AWG SHLD W/ DRAIN FLD & EQP, LNG CBL
		553095	M307 BLK ASM, CAT3 24AWG SHLD W/ DRAIN FLD & EQP, SHRT CBL
		553096	M307 BLK ASM, CAT5 24AWG UNSHLD FLD & EQP, LNG CBL
		553097	M307 BLK ASM, CAT5 24AWG UNSHLD FLD & EQP, SHRT CBL
		553098	M307 BLK ASM, CAT5 24AWG SHLD W/ DRAIN EQ, UNSHLD FLD, LNG CBL
		553099	M307 BLK ASM, CAT5 24AWG SHLD W/ DRAIN EQ, UNSHLD FLD, SHRT CBL
RU 12, RU 17, RU 27, RU 32.	1-96 wired, 97-100 dead	553100	M307 BLK ASM, CAT3 24AWG SHLD W/ DRAIN FLD & EQP, LNG CBL
		553101	M307 BLK ASM, CAT3 24AWG SHLD W/ DRAIN FLD & EQP, SHRT CBL
		553102	M307 BLK ASM, CAT5 24 AWG UNSHLD FLD & EQP, LNG CBL
		553103	M307 BLK ASM, CAT5 24AWG UNSHLD FLD & EQP, SHRT CBL
		553104	M307 BLK ASM, CAT5 24 AWG SHLD W/ DRAIN EQ, UNSHLD FLD, LNG CBL
		553105	M307 BLK ASM, CAT5 24 AWG SHLD W/ DRAIN EQ, UNSHLD FLD, SHRT CBL

* Call Account Management for ordering Protection Blocks separately, 800-800-1280 opt 3.

Table 17.3 Ground Cables Provided in Table 17.4 Protection Bracket Kits

Part Number	Cable to connect M307 Block to Protection Bracket Ground Bar
554556	KIT, GROUND CABLE, M307 600 PAIR
554557	KIT, GROUND CABLE, M307 500 PAIR
554558	KIT, GROUND CABLE, M307 400 PAIR
554559	KIT, GROUND CABLE, M307 300 PAIR
554560	KIT, GROUND CABLE, M307 200 PAIR
Part Number	Cable to connect Protection Bracket Ground Bar to Cabinet Main Ground Bar
554562	KIT, GROUND CABLE, M307 600 PAIR

Table 17.4 Ordering Guide Side Chamber Protection Bracket Kits (AC)

	Configuration	Kit Part Numbers	Protection Bracket Kit *	No. of Pairs *	Splice Kit*	Lance Kit*	Side Partition Kit*
No Load Center	RU 17 (42WX25D)	557380	551157 - 200 pair (AC)	600	551219	-	553359
	RU 17 (42WX32D)	557381	551157 - 200 pair (AC)	800	551219	-	553362
	RU 17 (42WX46D)	557382	551157 - 200 pair (AC)	1200	551219	-	553365
	RU 12 (42WX25D)	557383	551157 - 200 pair (AC)	400	-	553435	553367
	RU 27 (42WX25D) (2 Bay)	557384	551160 - 400 pair (AC)	1200	551219	-	553370
	RU 27 (54WX25D) (2 Side chamber)	557429	551160 - 400 pair (AC)	2400	551219	-	553370
	RU 27 (72WX32D) (2 Bay, 1 Side chamber)	557385	551160 - 400 pair (AC)	1600	551219	-	553373
	RU 27 (84WX32D) (2 Bay, 2 Side chamber)	557430	551160 - 400 pair (AC)	3200	551219	-	553373 (2)
	RU 27 (42WX46D) (2 Bay, 1 Side chamber)	557386	551160 - 400 pair (AC)	2000	552914	-	553376
<i>* Included with kit part number, also includes block ground wires.</i>							
8 Position Load Center	RU 17 (42WX25D) - 8P LOAD CENTER	550611	550649 - 300 pair (AC)	600	551168	-	553357
	RU 17 (42WX32D)	557368	550649 - 300 pair (AC)	600	552913	-	553360
	RU 17 (42WX46D)	557369	550649 - 300 pair (AC)	1200	551193	-	553363
	RU 12 (42WX25D)	557370	551157 - 200 pair (AC)	400	551168	-	553366
	RU 27 (42WX25D) (2 Bay)	557371	551163 - 500 pair (AC)	1000	551168	-	553368
	RU 27 (54WX25D) (2 Side chamber)	557424	551160 - 400 pair / 551163 - 500 pair (AC)	2200	551168	-	553368
	RU 27 (72WX32D) (2 Bay, 1 Side chamber)	557372	551163 - 500 pair (AC)	1000	552913	-	553371
	RU 27 (84WX32D) (2 Bay, 2 Side chamber)	557425	551160 - 400 pair / 551163 - 500 pair (AC)	2600	552913	-	553371
	RU 27 (42WX46D) (2 Bay, 1 Side chamber)	557373	553171 - 600 pair / 551163 - 500 pair (AC)	2200	552893	-	553374
<i>* Included with kit part number, also includes block ground wires.</i>							

	Configuration	Kit Part Numbers	Protection Bracket Kit *	No. of Pairs *	Splice Kit*	Lance Kit*	Side Partition Kit*
12 Position Load Center	RU 17 (42WX25D)	557374	550649 - 300 pair (AC)	300	552913	-	553358
	RU 17 (42WX32D)	557375	550649 - 300 pair (AC)	600	552913	-	553361
	RU 17 (42WX46D)	557376	550649 - 300 pair (AC)	1200	551193	-	553364
	RU 27 (42WX25D) (2 Bay)	557377	551163 - 500 pair (AC)	500	552913	-	553369
	RU 27 (54WX25D) (2 Side chamber)	557426	551160 - 400 pair / 551163 - 500 pair (AC)	1700	552913	-	553369
	RU 27 (72WX32D) (2 Bay, 1 Side chamber)	557378	551163 - 500 pair (AC)	1000	552913	-	553372
	RU 27 (84WX32D) (2 Bay, 2 Side chamber)	557428	551160 - 400 pair / 551163 - 500 pair (AC)	2600	552913	-	553372
	RU 27 (42WX46D) (2 Bay, 1 Side chamber)	557379	553171 - 600 pair (AC)	1800	551193	-	553375
* Included with kit part number, also includes block ground wires.							

Table 17.5 Common Enclosure Replacement Parts or Accessories

Item Description	Part Number
Tamper-proof wrench 5/16 Hex Pin (AC)	F529732
Can Wrench (216-type tool) AC	F003205
Internal Fan 120mm (RP)	137974
External Fan 120mm (RP)	
Finger Guard Fan (RP)	542352L
Intrusion Switch (RP)	P92538
Thermistor (External J1) (RP)	130471
Thermistor (Internal J2) (RP)	139224
Door Handle (5/16 Hex Pin) (RP)	141495
ECU Fan Fuse (RP)	248610900
Fuse Cover with Pull Tab (RP)	102774
Surge Protector (RP)	128023

18 DC Power, Outdoor Enclosure & Service Contacts

Refer to Section 4.15.4 (provided with your customer documentation) for support contact information.

Connect with Vertiv on Social Media



<https://www.facebook.com/vertiv/>



<https://www.instagram.com/vertiv/>



<https://www.linkedin.com/company/vertiv/>



<https://www.twitter.com/vertiv/>



Vertiv.com | Vertiv Headquarters, 1050 Dearborn Drive, Columbus, OH, 43085, USA

© 2022 Vertiv Group Corp. All rights reserved. Vertiv™ and the Vertiv logo are trademarks or registered trademarks of Vertiv Group Corp. All other names and logos referred to are trade names, trademarks or registered trademarks of their respective owners. While every precaution has been taken to ensure accuracy and completeness here, Vertiv Group Corp. assumes no responsibility, and disclaims all liability, for damages resulting from use of this information or for any errors or omissions. Specifications, rebates and other promotional offers are subject to change at Vertiv's sole discretion upon notice.