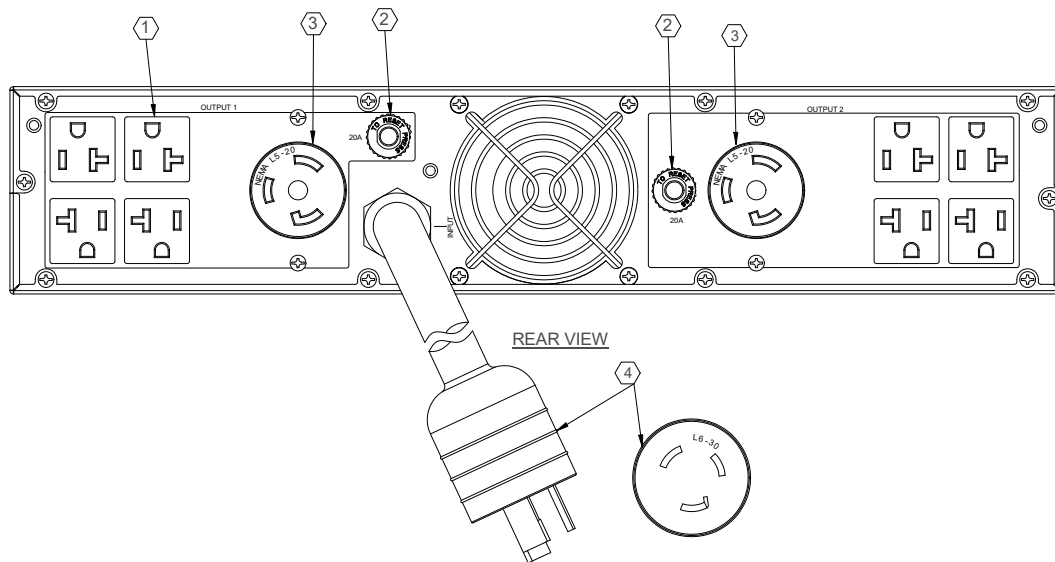


FRONT VIEW

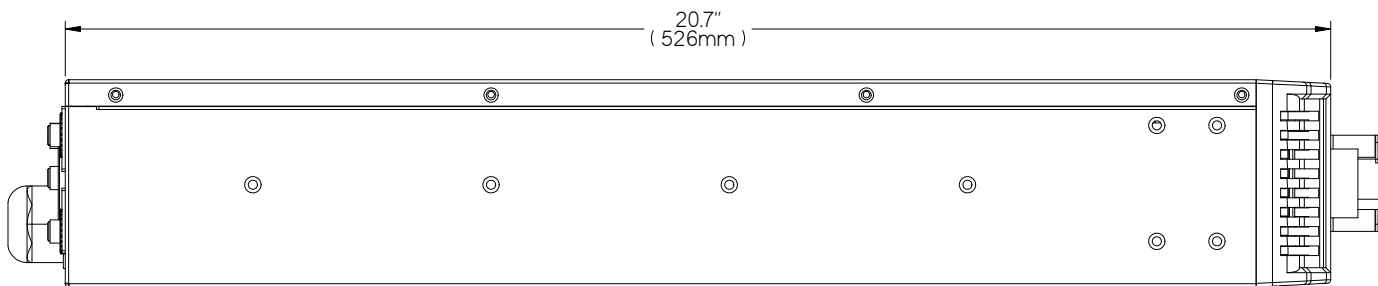


REAR VIEW

- ① OUTPUT RECEPTACLES: 8 NEMA 5-15/20R
- ② 20A OUTPUT CIRCUIT BREAKER: 2
- ③ OUTPUT RECEPTACLES: 2 NEMA L5-20R
- ④ INPUT PLUG: NEMA L6-30P ON 23.6" (600mm) CORD
- ⑤ ROTARY VOLTAGE SELECTOR SWITCH. 208V/240V

NOTES:

1. UNIT INPUT: 200VAC-240VAC,60/50HZ,24A,2W+PE(L1,L2,PE)
2. UNIT OUTPUT: 100VAC-125VAC,60/50HZ.
OUTPUT1: 2000VA/2000W,20A MAX. OUTPUT2: 2000VA/2000W,20A MAX.
3. UNIT DIMENSIONS: 17.2" x 3.4" x 20.7" (438mm) x (86mm) x (526mm)
4. UNIT WEIGHT: 104.1LBS (47.2KG)
5. SHIPPING DIMENSIONS: 21.6" x 10.2" x 26.5" (550mm) x (258mm) x (672mm)
6. SHIPPING WEIGHT: 113.3LBS (51.4KG)
7. MINIMUM AIRFLOW CLEARANCE IS 4.0" (100.0mm) - FRONT/REAR
8. FIXED RAIL KIT: INCLUDED.
9. ALL WIRING IS TO BE IN COMPLIANCE WITH NATIONAL AND LOCAL ELECTRIC CODES



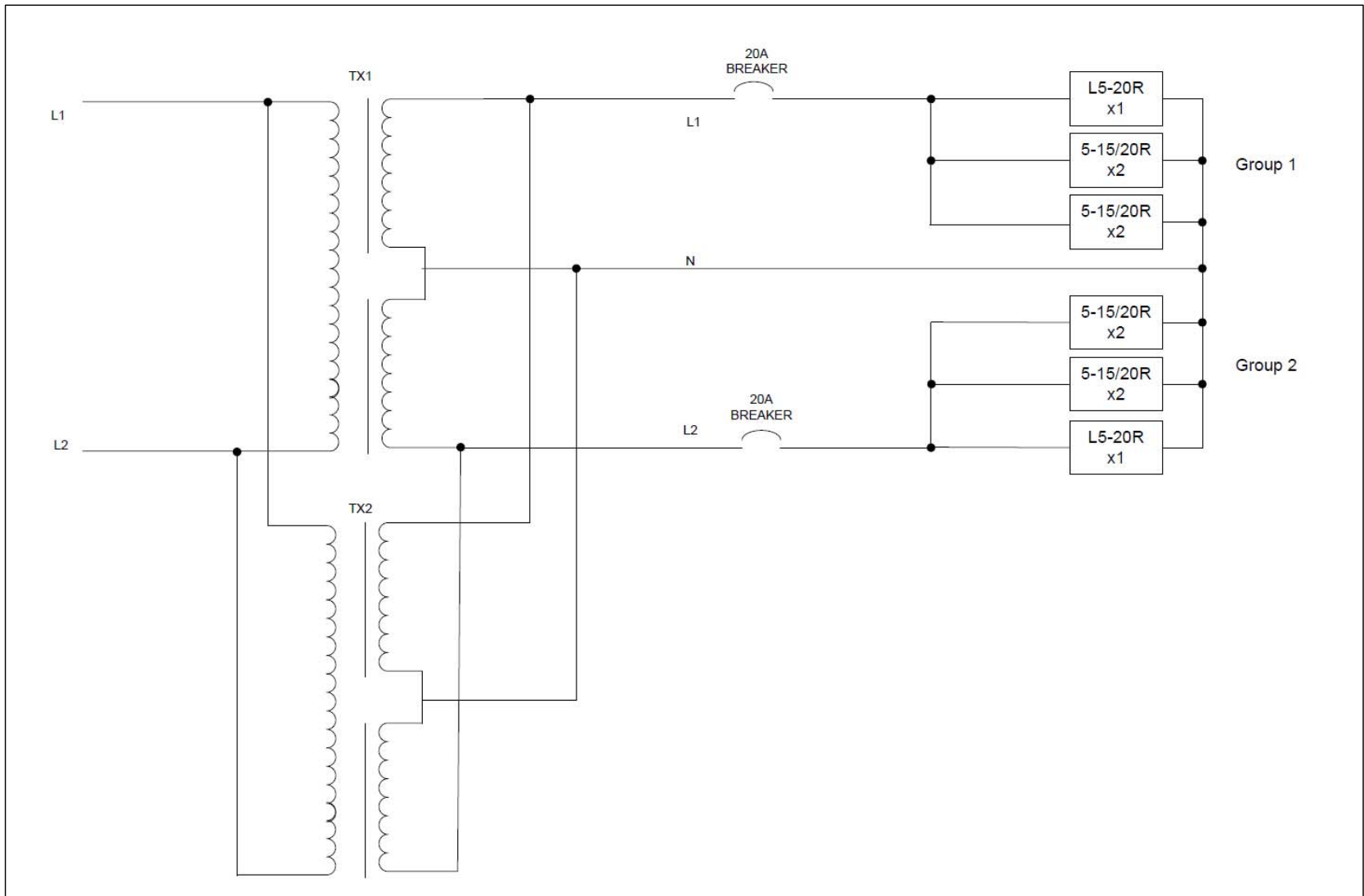
SIDE VIEW

DRAWN BY B. LAY	SHEET NO. 1 OF 2
CHK BY B. HOCKENSMITH	ECN NO.
REF. DWG.	ORDER NO.

TDU 4000RTL630

DWG. NO. TDU 4000RTL630	DATE 6/14/18	REV. # 0	1050 DEARBORN DRIVE P.O. BOX 29186 COLUMBUS, OHIO 43229
----------------------------	-----------------	-------------	---





FUNCTIONAL DIAGRAM

DRAWN BY B. LAY	SHEET NO. 2 OF 2
CHK BY B. HOCKENSMITH	ECN NO.
REF. DWG.	ORDER NO.

TDU 4000RTL630

DWG. NO. TDU 4000RTL630	DATE 6/14/18	REV. # 0	1050 DEARBORN DRIVE P.O. BOX 29186 COLUMBUS, OHIO 43229
----------------------------	-----------------	-------------	---

