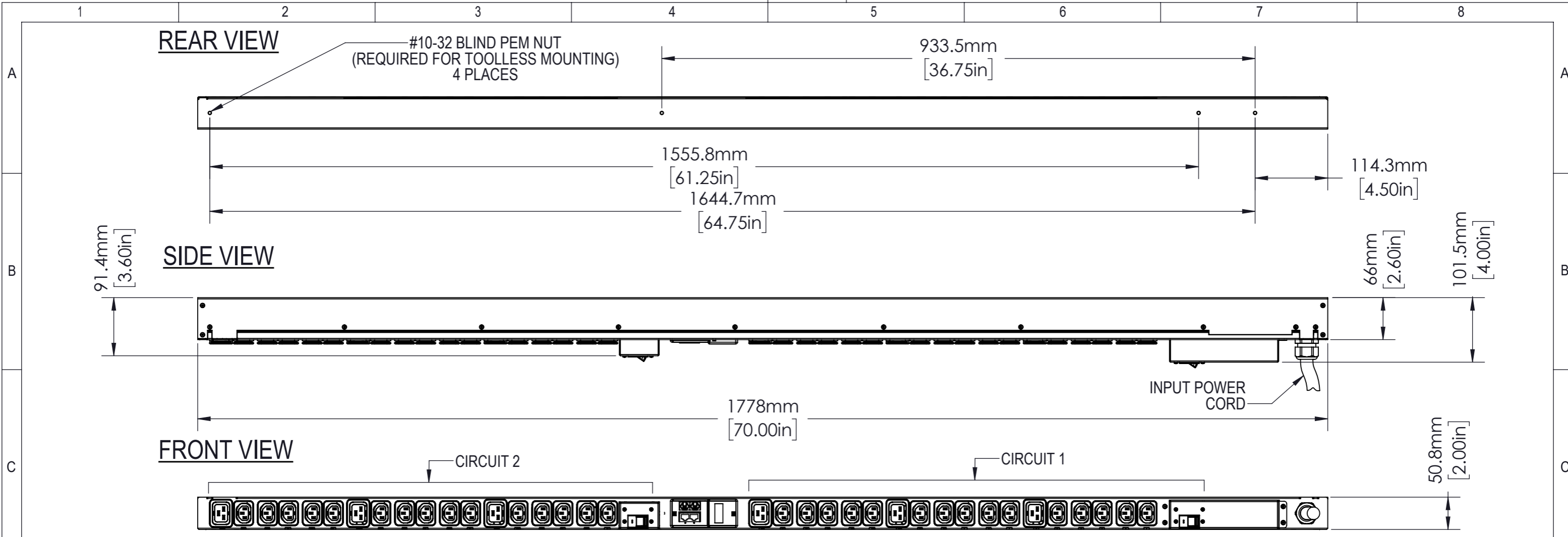



Disclosure and photocopying of this document, exploitation and communication of its contents are not permitted, unless permission is expressly granted. All rights are reserved.

Weitergabe sowie Vervielfältigung dieser Unterlage, Verwertung und Mitteilung ihres Inhalts nicht gestattet, soweit nicht ausdrücklich zugestanden. Alle Rechte vorbehalten.



 NEMA L6-30P  
(30A, 2/PE, 200-240V)

AGENCY COMPLIANCE:  
 UL & c-UL Listed 60950  
 RoHS Compliant  
 FCC Part 15 Class A Conformance

ENVIRONMENTAL RATING:  
 Maximum Operating Temperature: 60C / 140F

NOTES  
 UNIT DIMENSIONS: 70in x 2.0in x 2.6in / 1778mm x 51mm x 66mm  
 SHIPPED WEIGHT: 20lbs (9.07kg)  
 SHIPPING DIMENSIONS: 86in x 9in x 7in / 2172mm x 223mm x 159mm  
 Toolless Mounting Hardware 36.75in / 934mm, 61.25in / 1556mm and 64.75in / 1645mm, and  
 7938 Vertical Mounting Bracket Kit

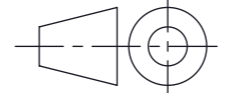

OUTPUT POWER

CIRCUIT	PHASE	RECEPTACLE TYPE	VOLTAGE (V)	MAX. CONTINUOUS AMPS (A)	
				PER RECEPTACLE	PER CIRCUIT
1	L1-L2	15xC13, 3xC19	200-240	12/16	16
2	L1-L2	15xC13, 3xC19	200-240	12/16	16

INPUT POWER

INPUT CORD	INPUT PLUG	WIRE COUNT	FREQUENCY (Hz)	VOLTAGE (V)	RATED AMPS (A)	MAX. CONT. AMPS (A)
10 FT	NEMA L6-30P	2/PE	50/60 Hz	200-240V	30	24

METERING PARAMETER	MEASUREMENT ACCURACY
VOLTAGE	±1%
CURRENT	±1% - Input Current ±2% - Circuit/Breaker Current

 Dimensions in mm	Allgemeintoleranzen General tolerances		Oberfläche Finish	Werkstoff / Material	Gewicht: - Weight:
	-		-	-	-
Rev.	Change	Date	Name	Bezeichnung / Description	
2	ECN 19E0037	06/12/19	JJS	Switched, Outlet Level, Vertical, 30A, 208V, (30)U-Lock C13/(6)U-Lock C19	
				Zeichnungs-Nr. / Drawing no.	Maßstab Scale
				VP5870V	1:6
				Verwendet in / Used in	Blatt/Sheet
				-	1/1