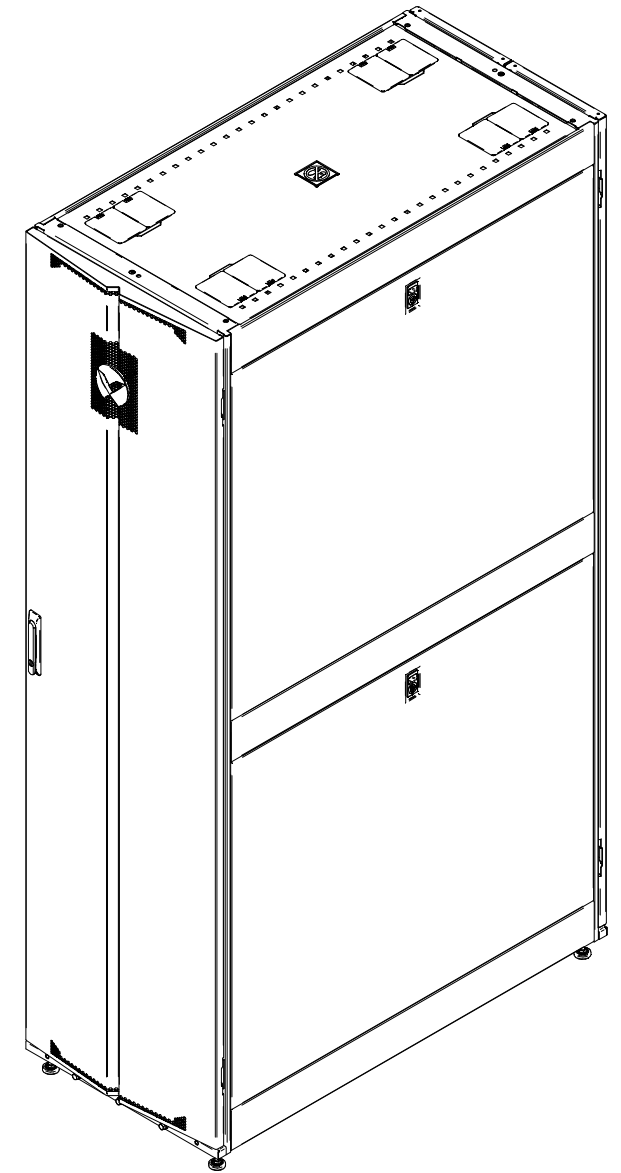
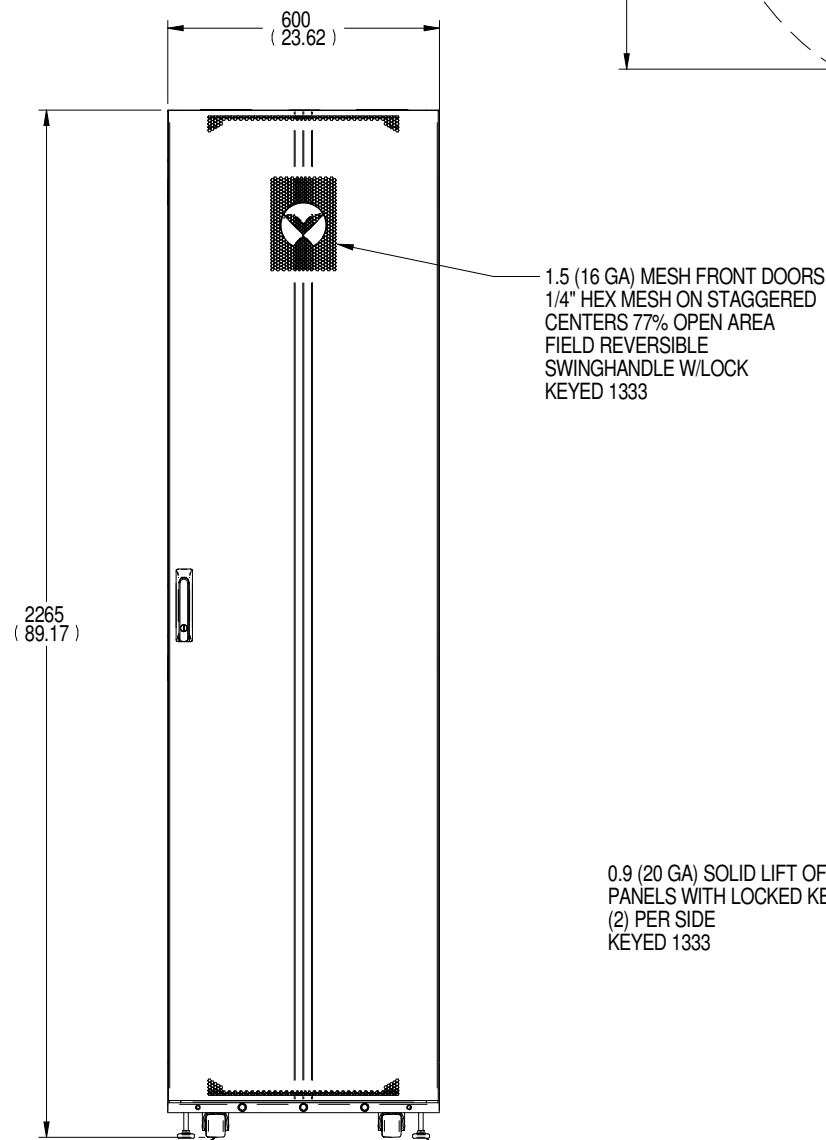


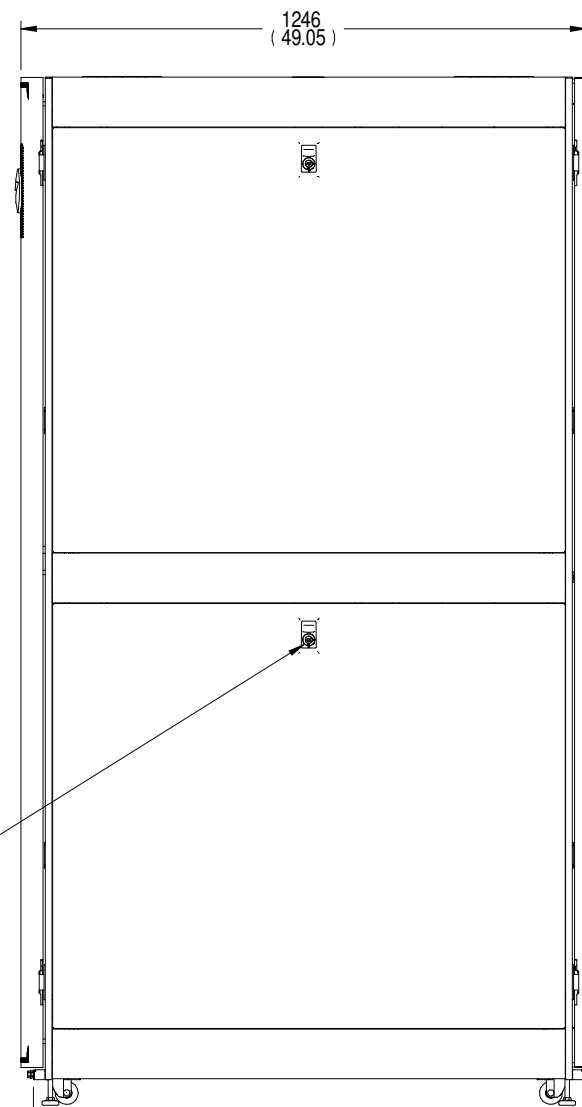
TOP VIEW



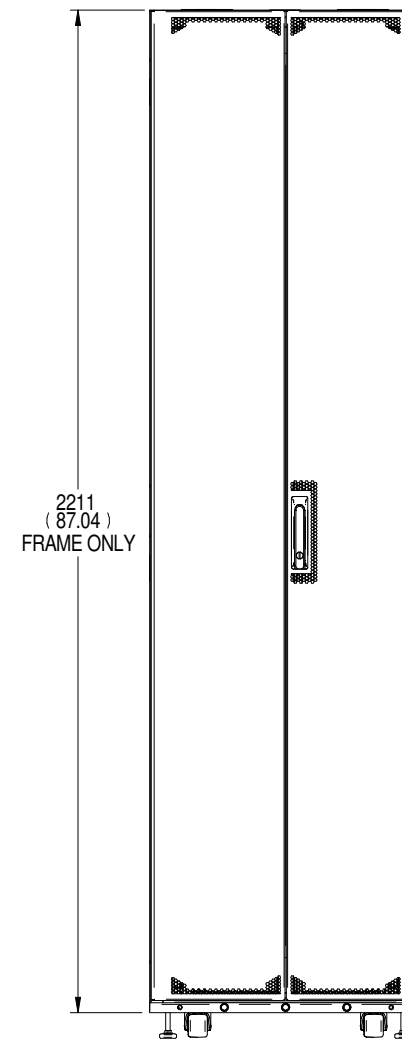
FRONT ISOMETRIC VIEW



FRONT VIEW



RIGHT SIDE VIEW



REAR VIEW

VR3307 OPTIONAL MODEL DESCRIPTION BY SUFFIX	
RACK MODEL	DESCRIPTION
VR3307-001	NO FRONT DOOR, NO REAR DOOR, NO RIGHT SIDE PANELS, NO LEFT SIDE PANELS
VR3307-002	NO FRONT DOOR, NO REAR DOOR
VR3307-003	NO FRONT DOOR
VR3307-004	NO REAR DOOR
VR3307-005	NO RIGHT SIDE PANELS
VR3307-006	NO LEFT SIDE PANELS
VR3307-007	NO RIGHT SIDE PANELS, NO LEFT SIDE PANELS
VR3307-013	NO FRONT DOOR, NO REAR DOOR, NO SIDE PANELS, NO ROOF

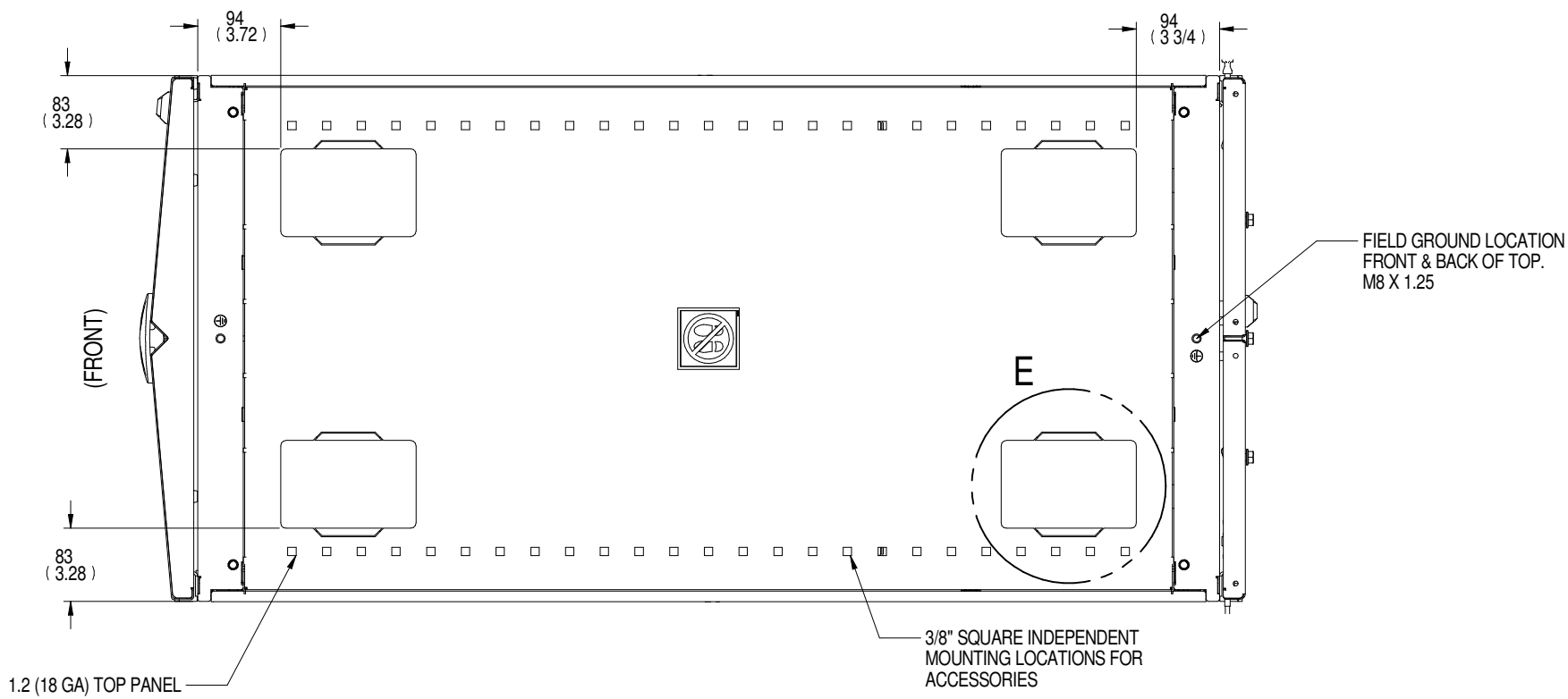
- NOTES:
1. ALL DIMENSIONS ARE MM (INCH), TOLERANCES  $\pm 2.5$  ( $\pm 0.1$ )
  2. UNIT WEIGHT: 166.0KG (366.0 LBS)
  3. STATIC WEIGHT CAPACITY: 1361 KG (3000 LBS)
  4. DYNAMIC WEIGHT CAPACITY: 1021 KG (2250 LBS)
  5. PACKAGE OF M6 SCREWS, CAGE NUTS INCLUDED.

DRAWN BY: TED BEAVER	SHEET NUMBER: 1 OF 3
CHECKED BY: BRAD REINBOLT	ECN NUMBER: N/A
REFERENCE DRAWING: N/A	QUOTE NUMBER: N/A

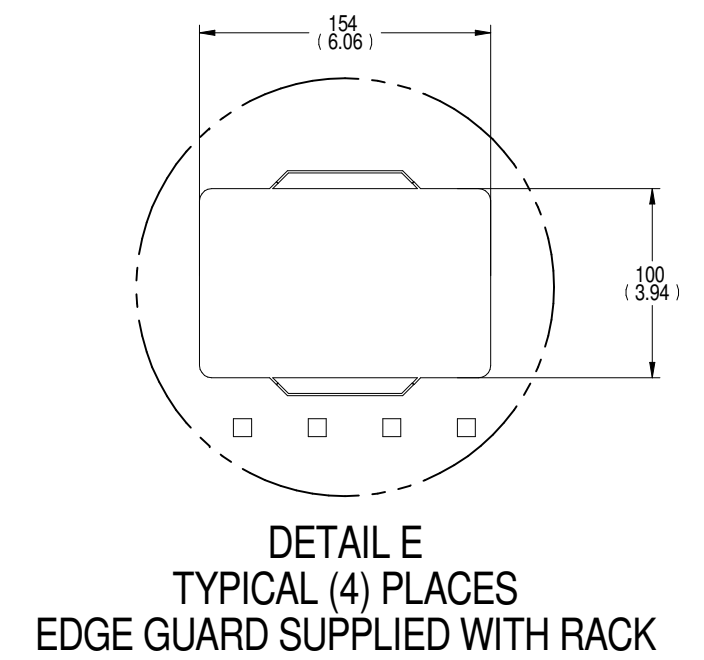
TITLE / DESCRIPTION  
**VERTIV VR RACK**  
 48U x 600mm W x 1200mm D

<b>VR3307</b>			
DRAWING NUMBER: VR3307-SUBTL	DATE: 04/14/21	REV#: 3	1050 DEARBORN DRIVE P.O. BOX 29186 COLUMBUS, OHIO 43229

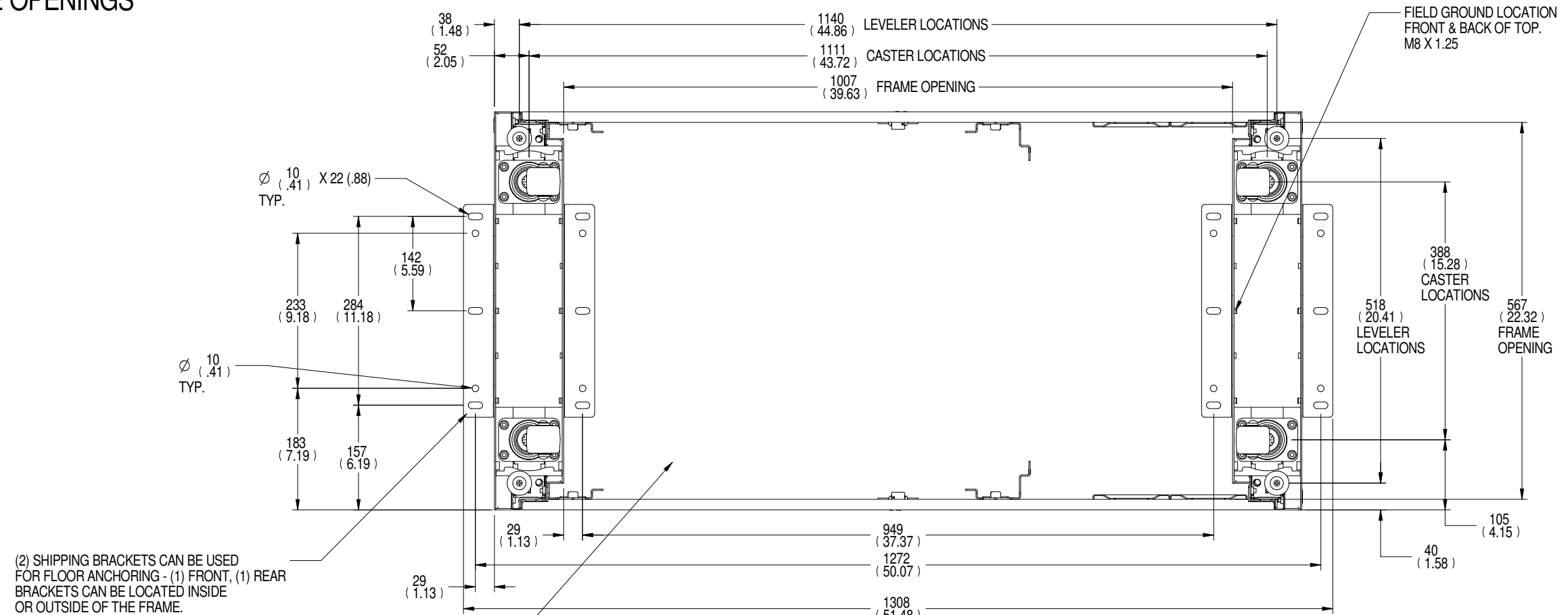




TOP VIEW  
CABLE OPENINGS



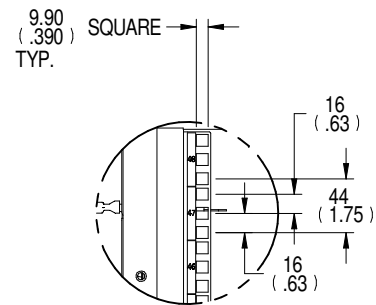
DETAIL E  
TYPICAL (4) PLACES  
EDGE GUARD SUPPLIED WITH RACK



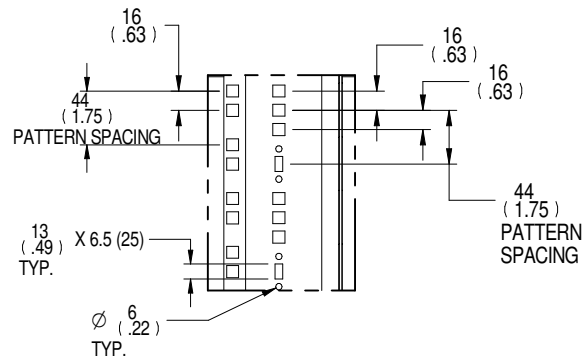
(2) SHIPPING BRACKETS CAN BE USED FOR FLOOR ANCHORING - (1) FRONT, (1) REAR BRACKETS CAN BE LOCATED INSIDE OR OUTSIDE OF THE FRAME.

BOTTOM VIEW  
(TOP PANEL & DOORS HIDDEN)

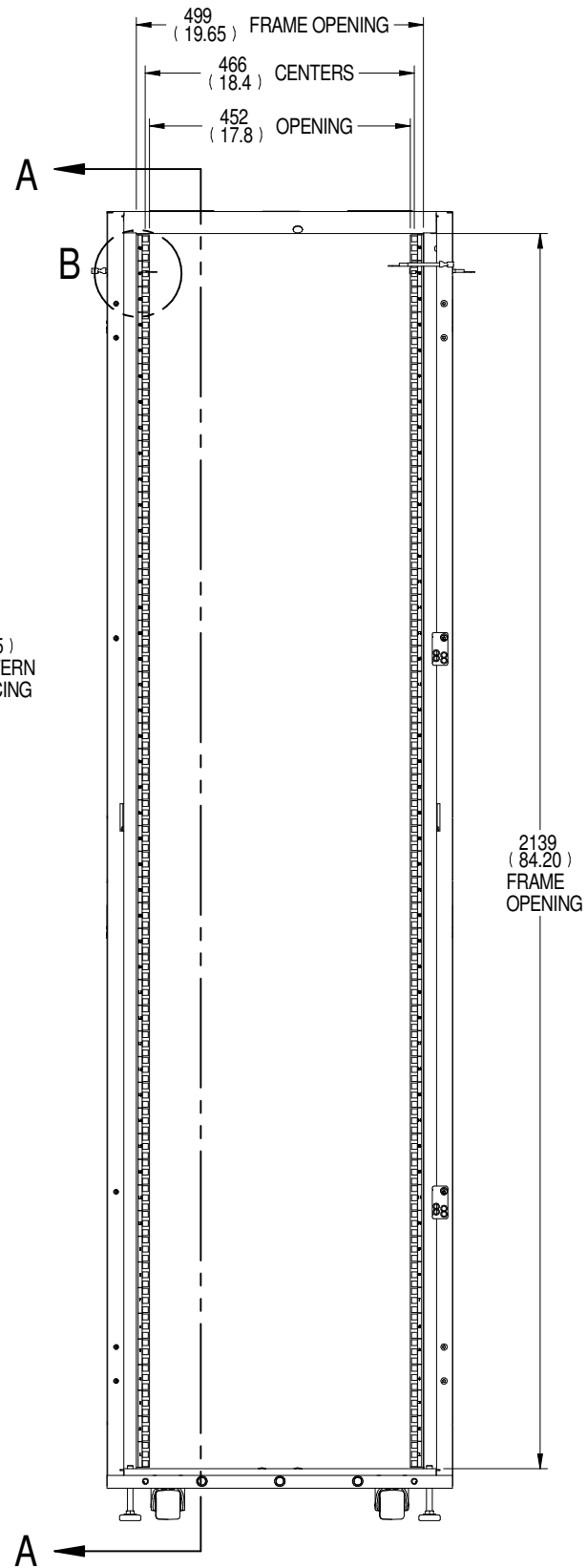
DRAWN BY: TED BEAVER	SHEET NUMBER: 2 OF 3	TITLE / DESCRIPTION <b>VERTIV VR RACK</b> 48U x 600mm W x 1200mm D	<b>VR3307</b>		
CHECKED BY: BRAD REINBOLT	ECN NUMBER: N/A				
REFERENCE DRAWING: N/A	QUOTE NUMBER: N/A		DRAWING NUMBER: VR3307-SUBTL	DATE: 04/14/21	



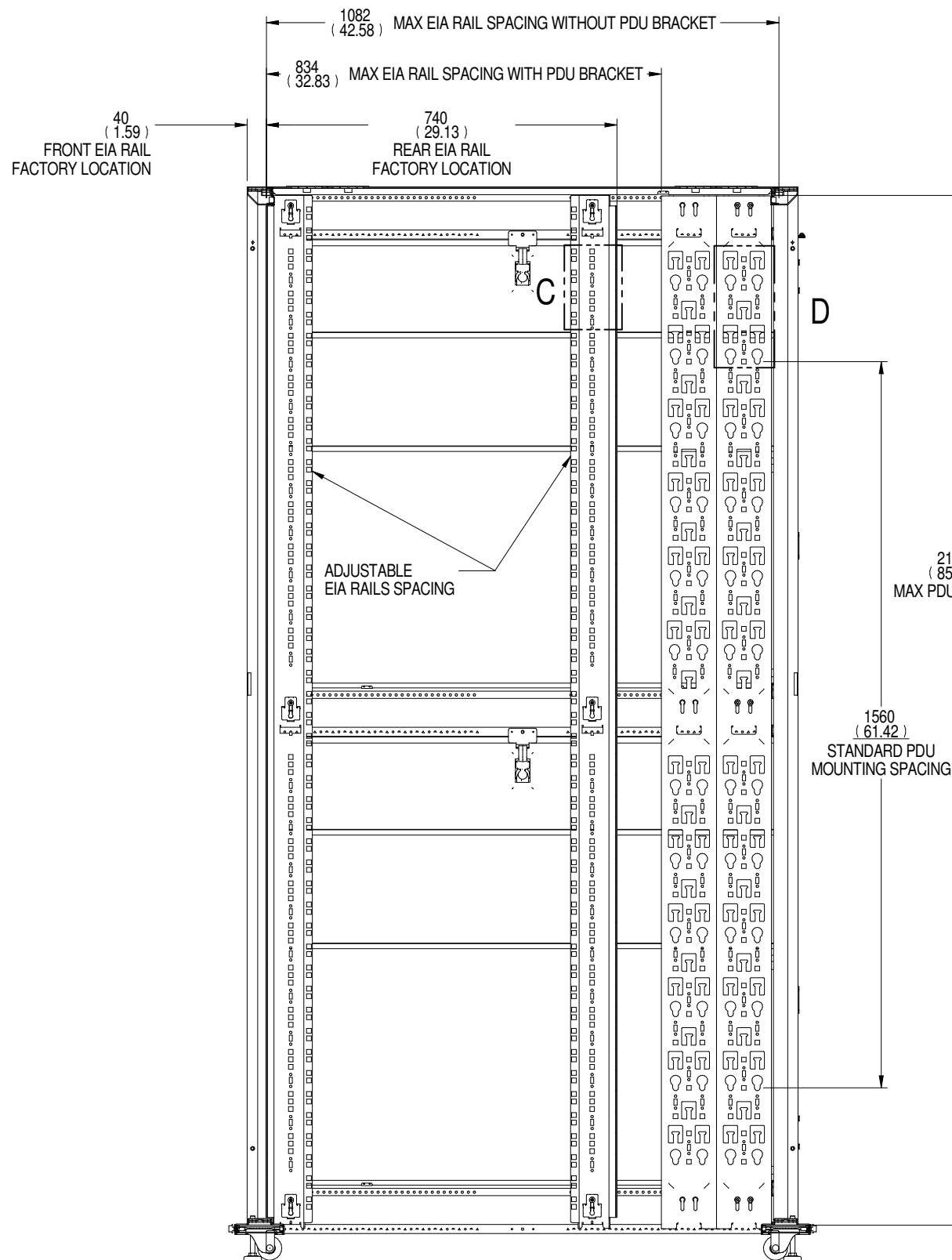
**DETAIL B  
RMU DETAIL**



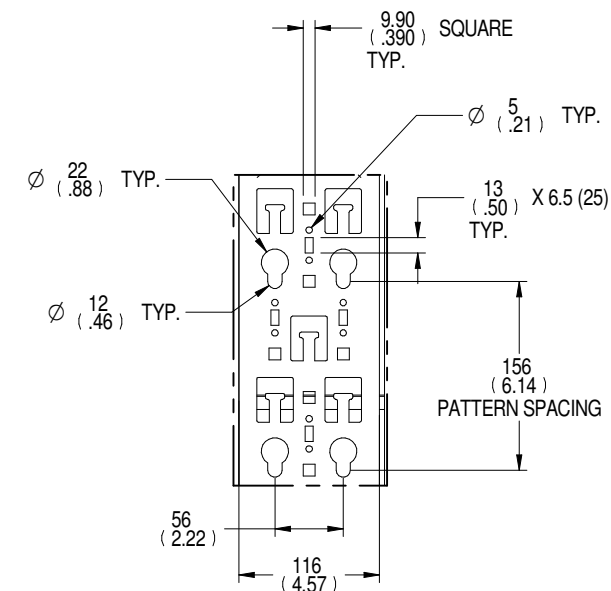
**DETAIL C  
OPTIONAL ACCESSORY  
LOCATIONS**



**FRONT VIEW  
(DOORS HIDDEN)**



**SECTION A-A**



**DETAIL D  
PDU BRACKET  
DETAIL**

DRAWN BY: TED BEAVER	SHEET NUMBER: 3 OF 3
CHECKED BY: BRAD REINBOLT	ECN NUMBER: N/A
REFERENCE DRAWING: N/A	QUOTE NUMBER: N/A

TITLE / DESCRIPTION  
**VERTIV VR RACK**  
48U x 600mm W x 1200mm D

**VR3307**

DRAWING NUMBER: VR3307-SUBTL	DATE: 04/14/21	REV#: 3	1050 DEARBORN DRIVE P.O. BOX 29186 COLUMBUS, OHIO 43229
---------------------------------	-------------------	------------	---

