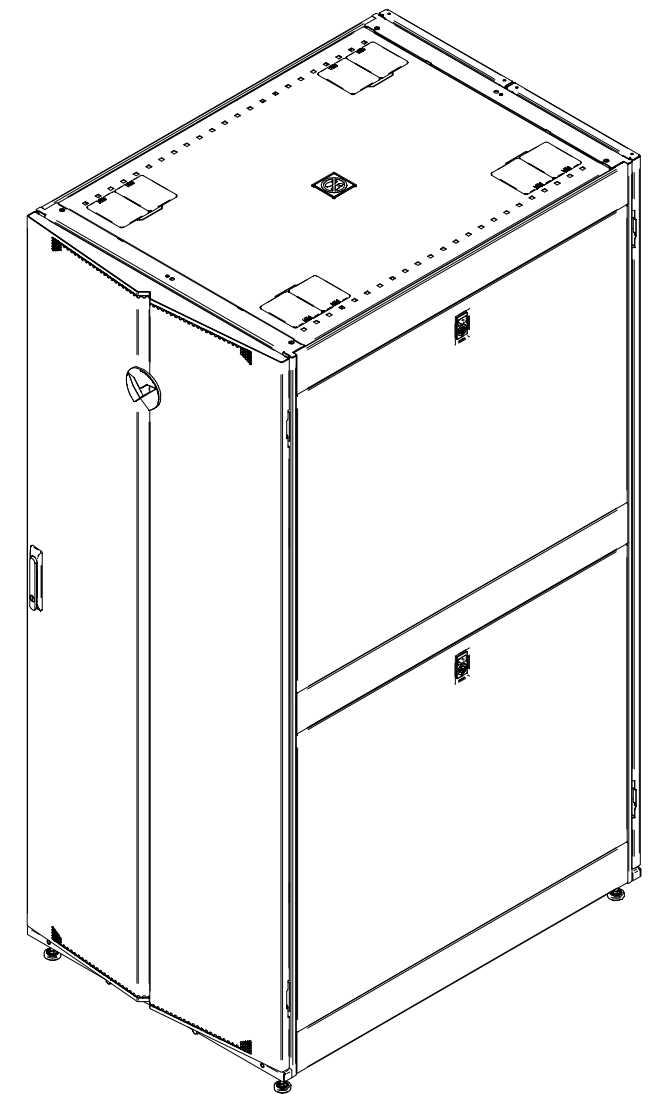
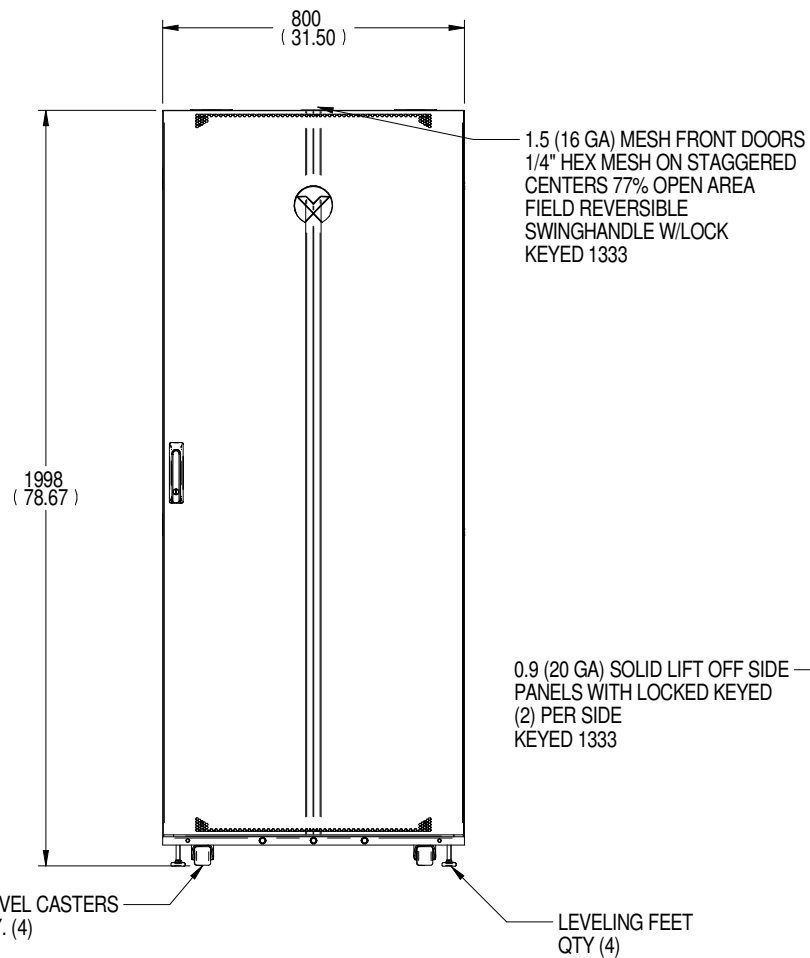


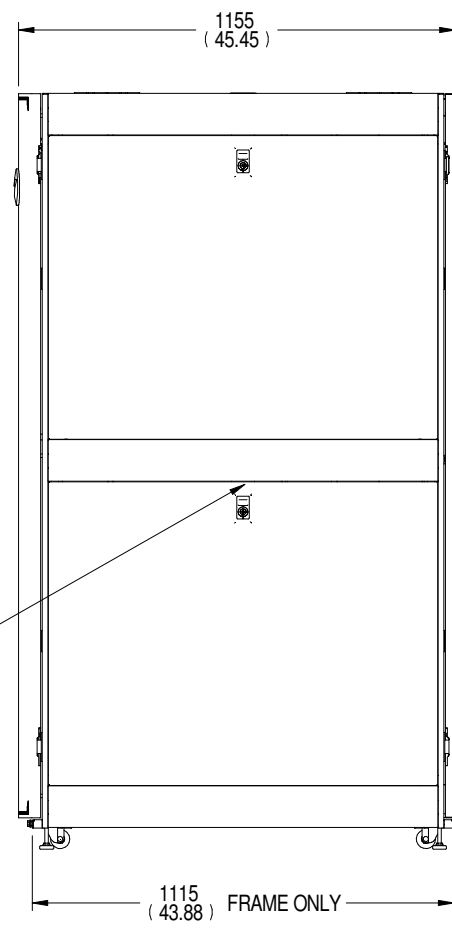
TOP VIEW



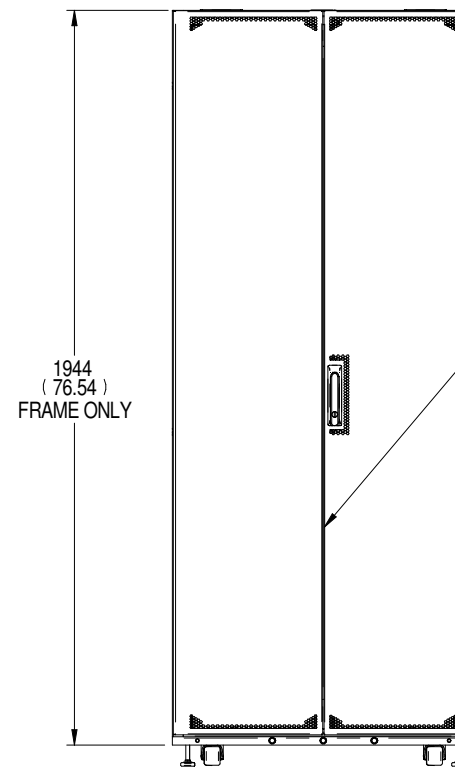
FRONT ISOMETRIC VIEW



FRONT VIEW



RIGHT SIDE VIEW



REAR VIEW

1.2 (18 GA) SPLIT MESH REAR DOORS
1/4" HEX MESH ON STAGGERED
CENTERS 77% OPEN AREA
FIELD REVERSIBLE
SWINGHANDLE W/LOCK
KEYED 1333

VR3150 OPTIONAL MODEL DESCRIPTION BY SUFFIX	
RACK MODEL	DESCRIPTION
VR3150-001	NO FRONT DOOR, NO REAR DOOR, NO RIGHT SIDE PANELS, NO LEFT SIDE PANELS
VR3150-002	NO FRONT DOOR, NO REAR DOOR
VR3150-003	NO FRONT DOOR
VR3150-004	NO REAR DOOR
VR3150-005	NO RIGHT SIDE PANELS
VR3150-006	NO LEFT SIDE PANELS
VR3150-007	NO RIGHT SIDE PANELS, NO LEFT SIDE PANELS
VR3150-013	NO FRONT DOOR, NO REAR DOOR, NO SIDE PANELS, NO ROOF

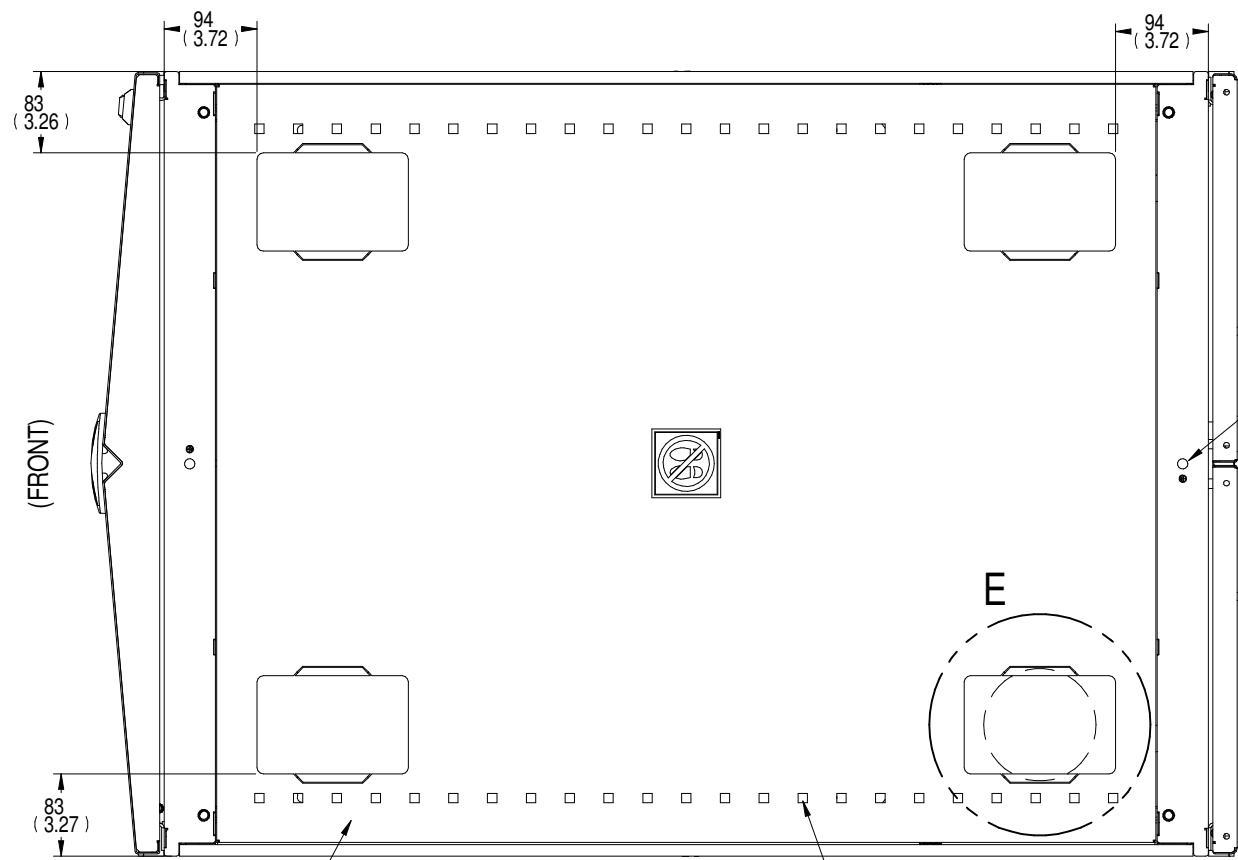
- NOTES:
1. ALL DIMENSIONS ARE MM (INCH), TOLERANCES ±2.5 (±0.1)
 2. UNIT WEIGHT: 161.8 KG (356.7 LBS)
 3. STATIC WEIGHT CAPACITY: 1361 KG (3000 LBS)
 4. DYNAMIC WEIGHT CAPACITY: 1021 KG (2250 LBS)
 5. PACKAGE OF M6 SCREWS, CAGE NUTS INCLUDED.

DRAWN BY: TED BEAVER	SHEET NUMBER: 1 OF 3
CHECKED BY: BRAD REINBOLT	EON NUMBER: N/A
REFERENCE DRAWING: N/A	QUOTE NUMBER: N/A

TITLE / DESCRIPTION
VERTIV VR RACK
42U x 800mm W x 1100mm D

VR3150			
DRAWING NUMBER: VR3150-SUBTL	DATE: 04/15/21	REV#: 2	1050 DEARBORN DRIVE P.O. BOX 29186 COLUMBUS, OHIO 43229



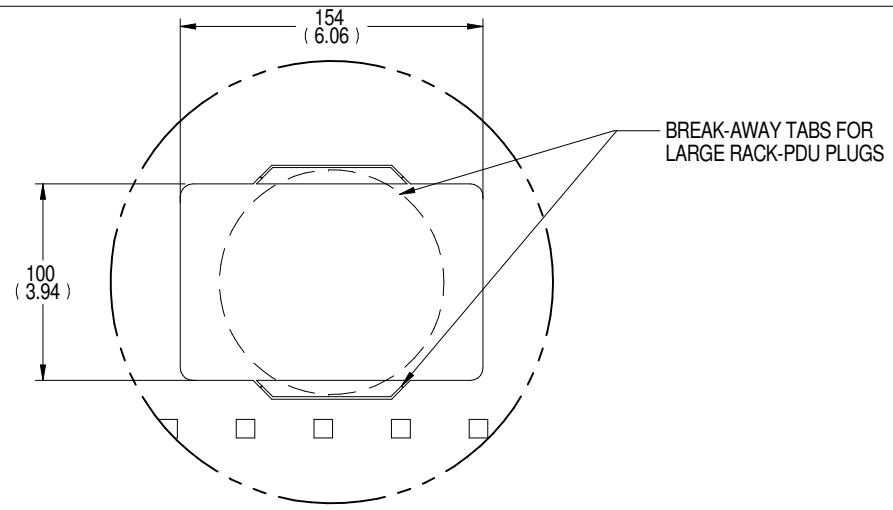


TOP VIEW
CABLE OPENINGS

1.2 (18 GA) TOP PANEL

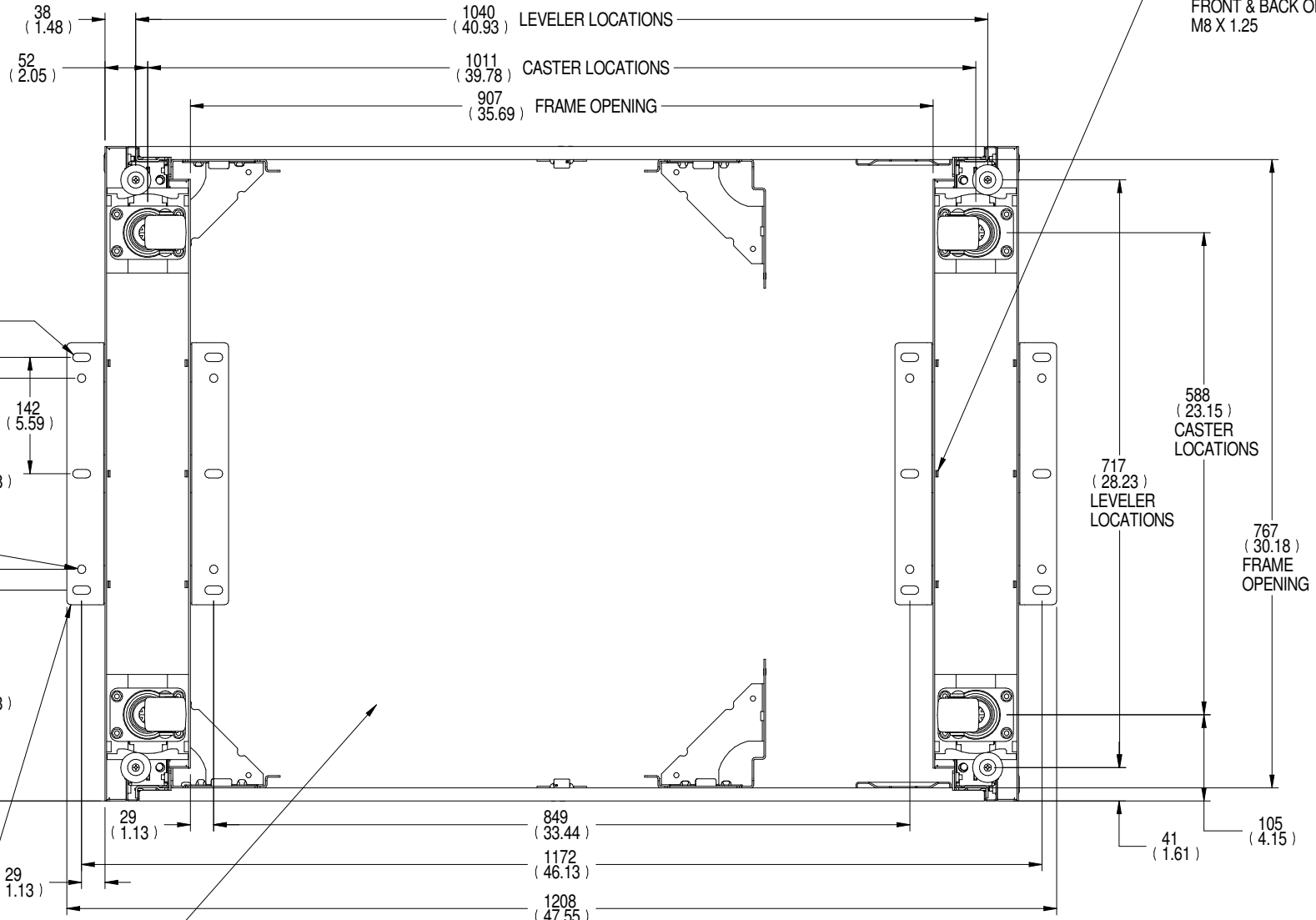
3/8" SQUARE INDEPENDENT MOUNTING LOCATIONS FOR ACCESSORIES

FIELD GROUND LOCATION FRONT & BACK OF TOP. M8 X 1.25



DETAIL E
TYPICAL (4) PLACES
EDGE GUARD SUPPLIED WITH RACK

BREAK-AWAY TABS FOR LARGE RACK-PDU PLUGS



BOTTOM VIEW
(TOP PANEL & DOORS HIDDEN)

FIELD GROUND LOCATION FRONT & BACK OF BASE. M8 X 1.25

(2) SHIPPING BRACKETS CAN BE USED FOR FLOOR ANCHORING - (1) FRONT, (1) REAR BRACKETS CAN BE LOCATED INSIDE OR OUTSIDE OF THE FRAME.

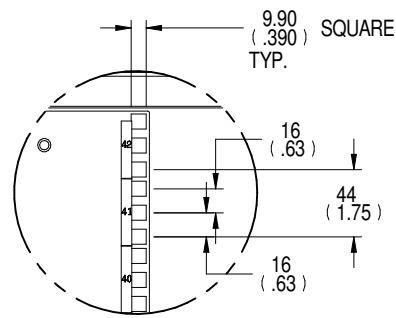
OPEN BOTTOM

DRAWN BY: TED BEAVER	SHEET NUMBER: 2 OF 3
CHECKED BY: BRAD REINBOLT	ECN NUMBER: N/A
REFERENCE DRAWING: N/A	QUOTE NUMBER: N/A

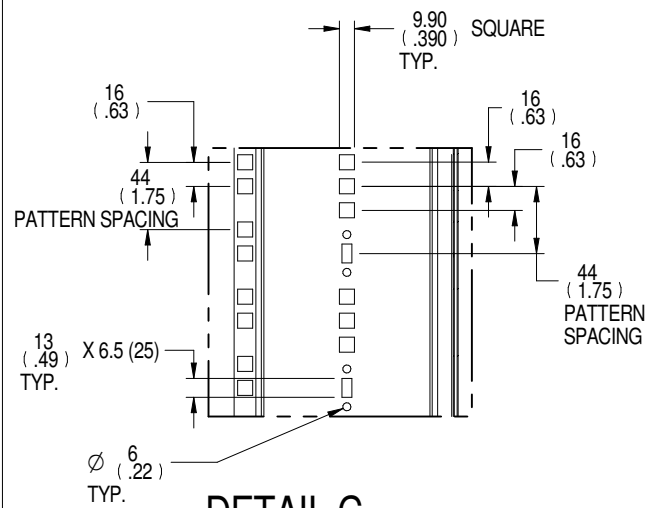
TITLE / DESCRIPTION
VERTIV VR RACK
42U x 800mm W x 1100mm D

VR3150	
DRAWING NUMBER: VR3150-SUBTL	DATE: 04/15/21
REV#: 2	1050 DEARBORN DRIVE P.O. BOX 29186 COLUMBUS, OHIO 43229

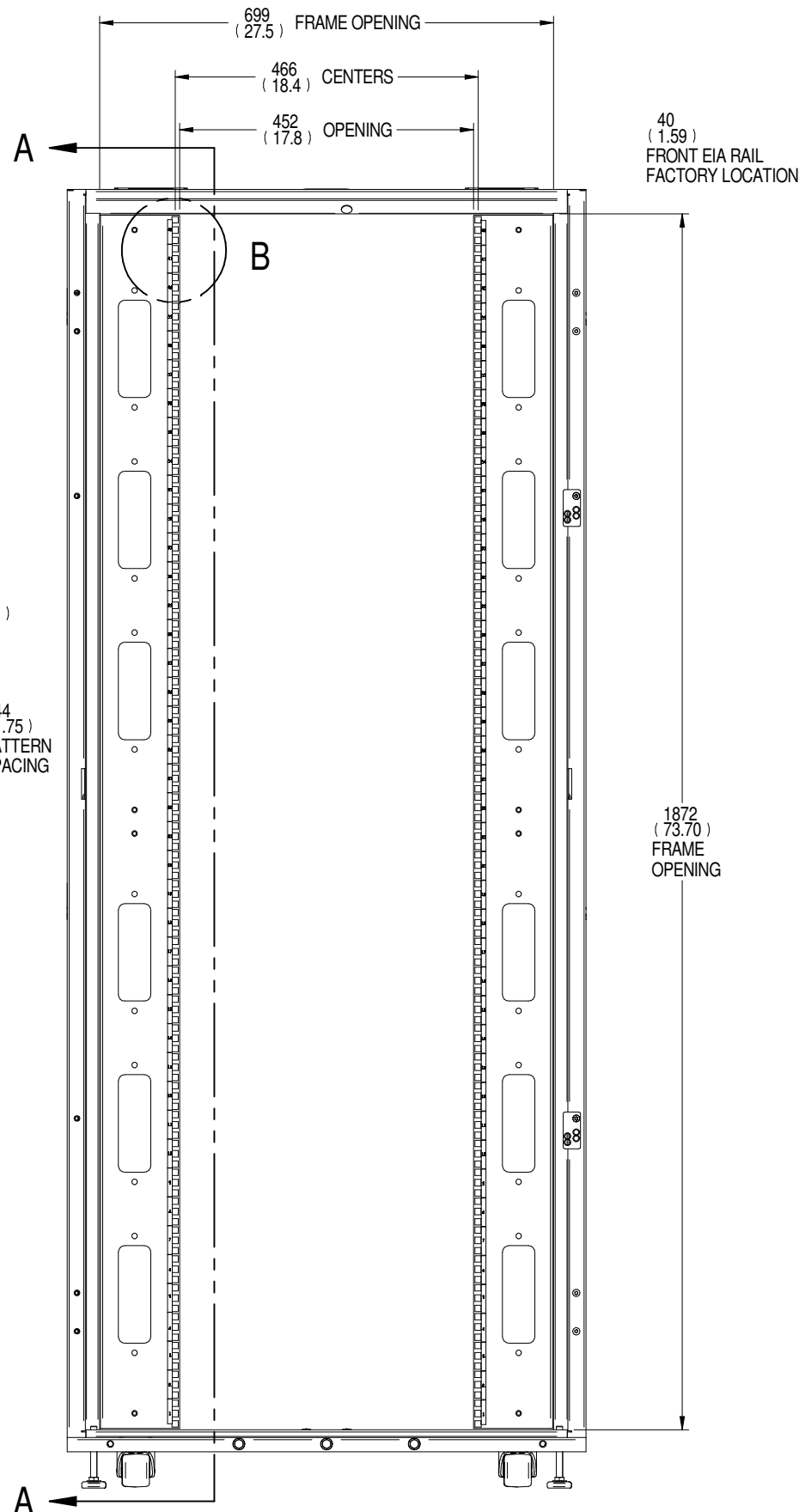




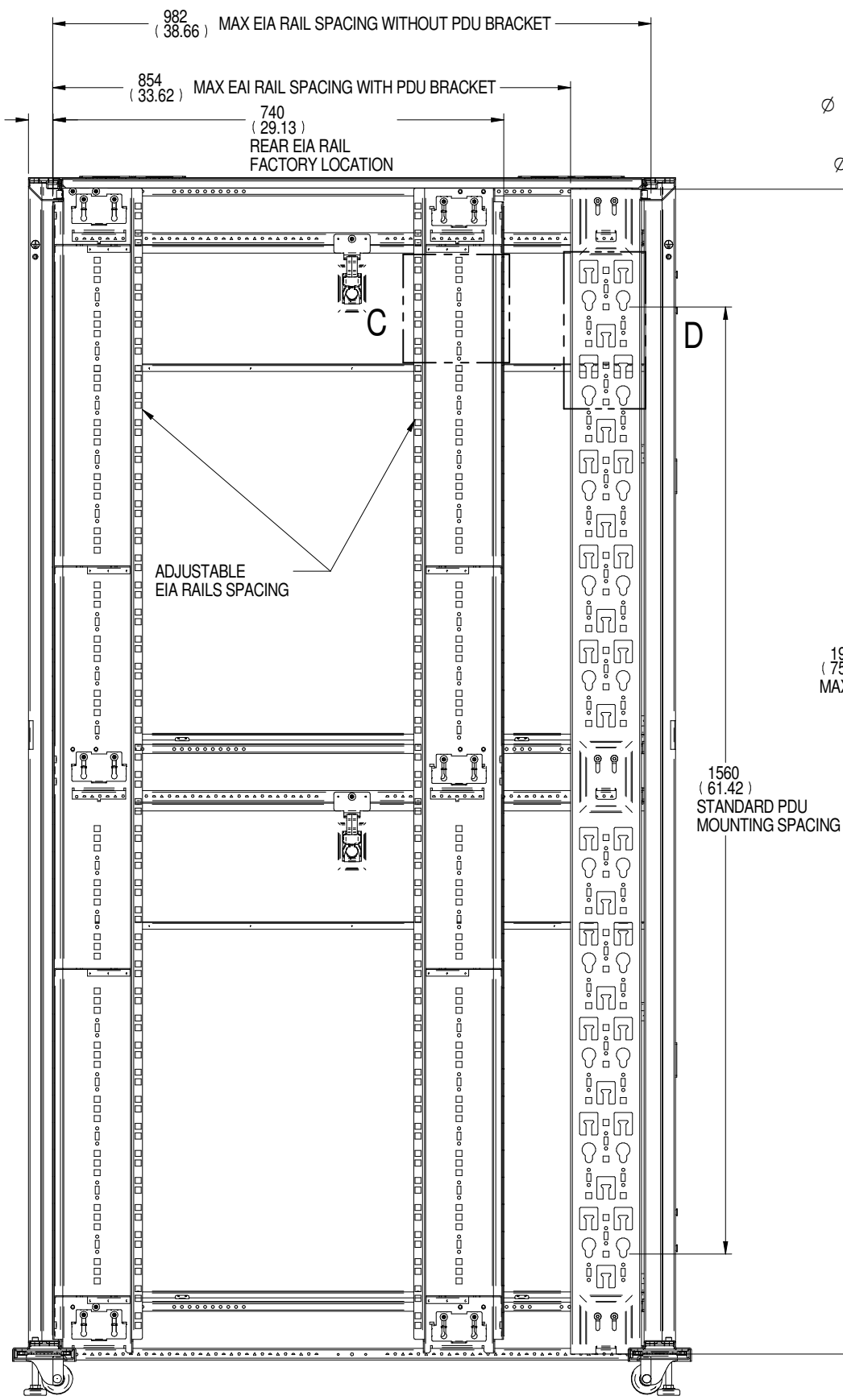
DETAIL B
RMU DETAIL



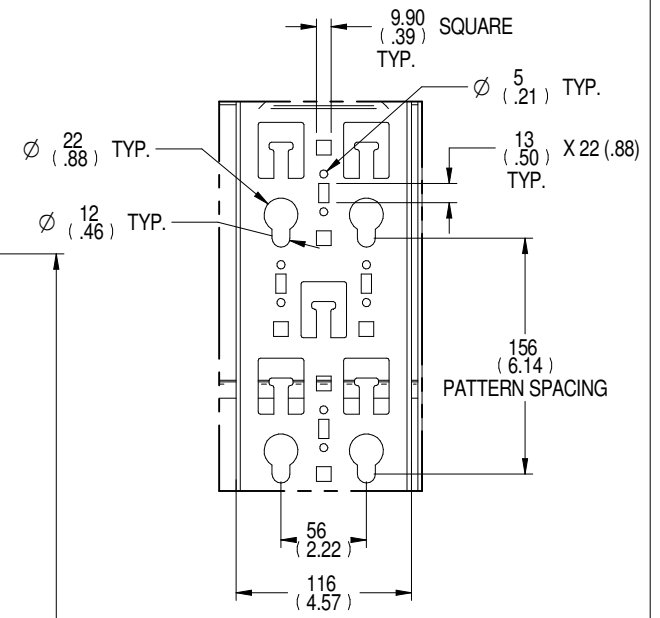
DETAIL C
OPTIONAL ACCESSORY
LOCATIONS



FRONT VIEW
(DOORS HIDDEN)



SECTION A-A



DETAIL D
PDU BRACKET
DETAIL

DRAWN BY: TED BEAVER	SHEET NUMBER: 3 OF 3
CHECKED BY: BRAD REINBOLT	ECN NUMBER: N/A
REFERENCE DRAWING: N/A	QUOTE NUMBER: N/A

TITLE / DESCRIPTION
VERTIV VR RACK
42U x 800mm W x 1100mm D

VR3150

DRAWING NUMBER: VR3150-SUBTL	DATE: 04/15/21	REV#: 2	1050 DEARBORN DRIVE P.O. BOX 29186 COLUMBUS, OHIO 43229
---------------------------------	-------------------	------------	---

