



Liebert[®] DCP with Liebert[®] iCOM[™] Control

Installer/User Guide

200-kW Nominal Capacity, 50 Hz and 60 Hz

The information contained in this document is subject to change without notice and may not be suitable for all applications. While every precaution has been taken to ensure the accuracy and completeness of this document, Vertiv assumes no responsibility and disclaims all liability for damages resulting from use of this information or for any errors or omissions.

Vertiv recommends installing a monitored fluid detection system that is wired to activate the automatic closure of field-installed coolant fluid supply and return shut off valves, where applicable, to reduce the amount of coolant fluid leakage and consequential equipment and building damage. Refer to local regulations and building codes relating to the application, installation, and operation of this product. The consulting engineer, installer, and/or end user is responsible for compliance with all applicable laws and regulations relating to the application, installation, and operation of this product.

The products covered by this instruction manual are manufactured and/or sold by Vertiv. This document is the property of Vertiv and contains confidential and proprietary information owned by Vertiv. Any copying, use, or disclosure of it without the written permission of Vertiv is strictly prohibited.

Names of companies and products are trademarks or registered trademarks of the respective companies. Any questions regarding usage of trademark names should be directed to the original manufacturer.

Technical Support Site

If you encounter any installation or operational issues with your product, check the pertinent section of this manual to see if the issue can be resolved by following outlined procedures.

Visit <https://www.vertiv.com/en-us/support/> for additional assistance.

TABLE OF CONTENTS

Important Safety Instructions	1
1 Nomenclature and Components	7
1.1 Model Number Nomenclature	7
1.2 Product and System Description	7
2 Pre-installation Preparation and Guidelines	9
2.1 Planning Dimensions	9
2.2 Unit Weights	9
3 Equipment Inspection and Handling	11
3.1 Handling the Unit While Packaged	12
3.1.1 Removing the Unit from the Skid with a Forklift	12
3.1.2 Removing the Unit from the Skid Using Rigging	14
3.1.3 Moving the Unit with Piano Jacks	16
4 Piping Requirements	19
4.1 Interconnection with Cooling Modules	20
4.2 Chilled-water Loop Piping Guidelines	21
4.2.1 Piping Connection Sizes	23
4.2.2 Recommended Pipe Sizes	24
4.2.3 Air Bleeders	24
4.2.4 Piping Mains	24
4.2.5 Bypass Flow Controllers	24
4.2.6 Shut-off/Isolation Valves	25
4.2.7 Insulation	25
4.3 Filling the Unit	26
4.3.1 Check for Proper Installation of Components and Workmanship	27
4.3.2 Water Quality Requirements	27
4.3.3 Water Temperature Requirements	28
4.3.4 Conduct Air Pressure Test	28
4.3.5 Connecting the Water Fill Line	29
5 Electrical Connections	35
5.1 Connecting High Voltage Cables	36
5.2 Extra Low Voltage (ELV) Connections	39
5.2.1 Connecting Remote Temperature/Humidity Sensors	41
5.2.2 Proper Placement of the Remote Sensors	43
5.2.3 DIP Switch and Jumper Settings for Remote Sensors	45
5.2.4 Unit-to-Unit (U2U) Network Connections	45
5.3 Optional Field Connections for All Units	47
6 Checklist for Completed Installation	49

7 Getting Started with Vertiv™ Liebert® iCOM™ Control	51
7.1 Navigating the Vertiv™ Liebert® iCOM™ Display	52
7.1.1 Entering a Password	53
7.1.2 Viewing Data and Settings on the User Menu	53
7.1.3 Viewing a Summary of Connected Cooling Modules	54
7.1.4 Adjusting Vertiv™ Liebert® iCOM™ Display Settings	55
7.1.5 Adjusting Vertiv™ Liebert® DCP Operation and Setpoints	55
7.2 User Menu Options	55
7.2.1 User-level Setpoints	56
7.2.2 Spare Parts	56
7.2.3 Event Log	56
7.2.4 Graphic Data Record	56
7.2.5 User-level Alarm Options	56
7.2.6 Display Set-up	57
7.2.7 Sensor Data	58
7.2.8 Total Run Hours	59
7.3 Accessing Service Options	59
7.4 Service Menu Options	60
7.4.1 Service-level Setpoints	61
7.4.2 Maintenance/Wellness Settings	62
7.4.3 Diagnostics/Service Mode	63
7.4.4 Service-level Alarm Options	65
7.4.5 Sensor Calibration and Set-up	69
7.4.6 Network Settings	70
7.4.7 Option Set-up	73
7.4.8 Smart Module Settings	75
8 Starting the Vertiv™ Liebert® DCP with Vertiv™ Liebert® iCOM™	77
8.1 Checklist for Liebert® DCP Start-up	77
8.2 Power-on the Vertiv™ Liebert® DCP with the Vertiv™ Liebert® iCOM™ Controller	77
9 Maintenance	79
10 Troubleshooting	81
10.1 Vertiv™ Liebert® iCOM™ Notifications and Solutions	83
10.1.1 Liebert® iCOM™ Alarm Descriptions	83
10.2 Vertiv™ Liebert® iCOM™ Warning Descriptions	84
10.3 Vertiv™ Liebert® iCOM™ System Shut-down Notifications	85
11 Specifications	87
Appendices	89
Appendix A: Technical Support and Contacts	89
Appendix B: Submittal Drawings	91

Important Safety Instructions

SAVE THESE INSTRUCTIONS

This manual contains important safety instructions that should be followed during the installation and maintenance of the Vertiv™ Liebert® DCP with Vertiv™ Liebert® iCOM™ Control. Read this manual thoroughly before attempting to install or operate this unit.

Only qualified personnel should move, install or service this equipment.

Adhere to all warnings, cautions, notices and installation, operating and safety instructions on the unit and in this manual. Follow all installation, operation and maintenance instructions and all applicable national and local building, electrical and plumbing codes.



WARNING! Arc flash and electric shock hazard. Can cause serious injury or death. Building and equipment damage may also result. Disconnect all local and remote electric power supplies and wear appropriate, OSHA-approved personal protective equipment (PPE) per NFPA 70E before working within the electric control enclosure. Customer must provide earth ground to unit, per NEC, CEC and local codes, as applicable.

Verify with a voltmeter that power is Off. The Vertiv™ Liebert® iCOM™ controller does not isolate power from the unit, even in the "Unit Off" mode. Some internal components still require and receive power even during the "Unit Off" mode of the Liebert® iCOM™ controller. The factory-supplied, optional disconnect switch is inside the unit. The line side of this switch contains live high voltage. The only way to ensure that there is NO voltage inside the unit is to install and open a remote disconnect switch. Refer to unit electrical schematic.

Before proceeding with installation, read all instructions, verify that all the parts are included and check the nameplate to be sure the voltage matches available utility power. Follow all local codes.



WARNING! Risk of electric shock. Can cause serious injury or death. Building and equipment damage may also result. Open all local and remote electric power supply disconnect switches and verify that power is off with a voltmeter before working within any electric connection enclosures. The Liebert® iCOM™ controller does not isolate power from the unit, even in the "Unit Off" mode. Some internal components require and receive power even during the "unit off" mode of the Liebert® iCOM™ controller.

Installation, service, and maintenance work must be performed only by properly trained and qualified personnel and in accordance with applicable regulations and manufacturers' specifications. Opening or removing the covers to any equipment may expose personnel to lethal voltages within the unit even when it is apparently not operating and the input wiring is disconnected from the electrical source.



WARNING! Risk of short circuits and electric shock. Can cause serious injury or death. Building and equipment damage can result from cut insulation or damaged wires. Can cause overheated wiring, smoke, fire, activation of fire suppression systems and EMS personnel. Verify that all wiring connections are tight and that all wiring is contained within the junction box prior to closing and securing the cover.

Insert CSA-certified or UL-listed bushings into holes and/or knockouts used to route wiring through metal panels to protect the wire insulation from contact with sheet metal edges.



WARNING! Risk of improper wire sizing/rating and loose electrical connections causing overheated wire and electrical connection terminals resulting in smoke or fire. Can cause serious injury or death. Building and equipment damage may also result. Use correctly sized copper wire only and verify that all electrical connections are tight before turning power On. Check all electrical connections periodically and tighten as necessary.



WARNING! Risk of improper wiring, piping, moving, lifting and handling. Can cause serious injury or death. Building and equipment damage may also result. Installation and service of this equipment should be done only by qualified personnel who have been specially-trained in the installation of air-conditioning equipment and who are wearing appropriate, OSHA-approved PPE.



WARNING! Risk of improper moving. Can cause serious injury or death. Building and equipment damage may also result. Use only lifting equipment that is rated for the unit weight by an OSHA-certified rating organization. The center of gravity varies depending on the unit size and selected options. The slings must be equally spaced on either side of the center of gravity indicator. Shipping weights and unit weights are listed in **Table 2.2** on page 9 . Use the center of gravity indicators on the unit to determine the position of the slings.



WARNING! Risk of improper lifting. Can cause serious injury or death. Building and equipment damage may also result. A spreader bar or equivalent must be used when rigging to ensure the lifting force is completely vertical at these fasteners. Lift points are rated for lifting this section only. Do not lift assembled sections from these lift points.



WARNING! Risk of top-heavy unit falling over when improperly lifted or moved. Can cause serious injury or death. Building and equipment damage may also result. Read all of the following instructions and verify that all lifting and moving equipment is rated for the weight of the unit before attempting to move, lift, remove packaging from or prepare the unit for installation. Unit weights are listed in **Table 2.2** on page 9 .



CAUTION: Risk of coil and piping rupture. Can cause equipment damage and major fluid leaks resulting in serious building damage, expensive repair costs and costly system down time. Thermal expansion of the cooling fluid without means of expansion can cause the coil and piping to rupture, spilling cooling fluid in the conditioned space. This can be caused, among other ways, by closing the ball valves on both the supply and the return pipes. Always allow for thermal expansion either by leaving at least one of the valves open or by opening the Vertiv™ Liebert® DCD bleed valve to thermal expansion tank.



CAUTION: Risk of contact with sharp edges, splinters, and exposed fasteners. Can cause injury. Only properly trained and qualified personnel wearing appropriate, OSHA-approved PPE should attempt to move, lift, remove packaging from or prepare the unit for installation.



CAUTION: Risk of improper handling heavy and lengthy parts. Can cause injury. Building and equipment damage may also result. Cabinet panels can exceed 5 ft. (1.5 m) in length and weigh more than 35 lb (15.9 kg). Follow relevant OSHA lifting recommendations and consider using a two-person lift for safe and comfortable removal and installation of cabinet panels. Only properly trained and qualified personnel wearing appropriate, OSHA-approved PPE should attempt to remove or install cabinet panels.



CAUTION: Risk of improper piping installation, leak checking, fluid chemistry and fluid maintenance. Can cause injury. Building and equipment damage may also result. Installation and service of this equipment should be done only by qualified personnel who have been specially-trained in the installation of air-conditioning equipment and who are wearing appropriate, OSHA-approved PPE.

NOTICE

Risk of improper power-supply connection. Can cause equipment damage and loss of warranty coverage.

Prior to connecting any equipment to a main or alternate power source (for example: back-up generator systems) for start-up, commissioning, testing, or normal operation, ensure that these sources are correctly adjusted to the nameplate voltage and frequency of all equipment to be connected. In general, power-source voltages should be stabilized and regulated to within $\pm 10\%$ of the load nameplate nominal voltage. Also, ensure that no three-phase sources are single-phased at any time.

NOTICE

Risk of improper electrical connection of three-phase input power. Can cause backward pump rotation and unit damage. Service technicians should use a gauge set on the system during the initial start up to verify that the three-phase power is connected properly. Three-phase power must be connected to the unit line voltage terminals in the proper sequence so that the pump rotates in the proper direction. Incoming power must be properly phased to prevent pump from running backward. We recommend checking the unit's phasing with proper instrumentation to ensure that the power connections were made correctly. We also recommend verifying discharge and suction pressures during start up to ensure that the pumps are running in the correct direction.

NOTICE

Risk of piping-system corrosion and freezing fluids. Can cause leaks resulting in equipment and very expensive building damage. Heat exchangers and piping systems are at high risk of freezing and premature corrosion. Fluids in these systems must contain the proper antifreeze and inhibitors to prevent freezing and premature coil and piping corrosion. When the cooling unit or piping may be exposed to freezing temperatures, charge the system with coolant fluid based on the coldest ambient design temperature. Automotive antifreeze is unacceptable and must NOT be used in any fluid system. Use only coolant fluid solution that meets the requirements of recommended industry practices. Do not use galvanized pipe.

The system coolant fluid must be analyzed by a competent fluid-treatment specialist before start up to establish the inhibitor and antifreeze solution requirement and evaluated at regularly scheduled intervals throughout the life of the system to determine the pattern of inhibitor depletion.

The fluid complexity and variants of required treatment programs make it extremely important to obtain the advice of a competent and experienced fluid-treatment specialist and follow a regularly scheduled coolant-fluid system-maintenance program.

Fluid chemistry varies greatly as do the required additives, called inhibitors, that reduce the corrosive effect of the fluids on the piping systems and components.

The chemistry of the coolant fluid used must be considered, because some sources may contain corrosive elements that reduce the effectiveness of the inhibited formulation. Sediment deposits prevent the formation of a protective oxide layer on the inside of the coolant system components and piping. The coolant fluid must be treated and circulating through the system continuously to prevent the buildup of deposits and/or growth of sulfate reducing bacteria. Proper inhibitor maintenance must be performed to prevent corrosion of the system.

Consult fluid manufacturer for testing and maintenance of inhibitors.

Commercial-grade coolant fluid is generally less corrosive to the common metals of construction than water itself. It will, however, assume the corrosivity of the coolant fluid from which it is prepared and may become increasingly corrosive with use if not properly inhibited.

Vertiv recommends installing a monitored fluid-detection system that is wired to activate the automatic-closure of field-installed coolant-fluid supply and return shut-off valves to reduce the amount of coolant-fluid leakage and consequential equipment and building damage. The shut-off valves must be sized to close-off against the maximum coolant-fluid system pressure in case of a catastrophic fluid leak.

NOTICE

Risk of no-flow condition. Can cause equipment damage. Do not leave the water/coolant fluid-supply circuit in a no-flow condition. Idle fluid allows the collection of sediment that prevents the formation of a protective oxide layer on the inside of the tubes. Keep unit switched On and water/ coolant fluid-supply circuit system operating continuously. In multiple unit teams, allow standby units to enter the rotation automatically or schedule regular manual rotations.

NOTICE

Risk of leaking chilled water lines. Can cause equipment and building damage.

Lines and joints must be inspected regularly. Improper installation, application and service practices can result in water leakage from the unit. Water leakage can result in severe property damage and loss of critical data center equipment. Do not locate unit directly above any equipment that could sustain water damage.

Vertiv recommends installing monitored leak detection equipment for the unit and supply and return lines.

NOTICE

Risk of a catastrophic water circuit rupture. Can cause expensive building and equipment damage.

Install an overflow drain pan under the unit with a monitored leak detection system in the pan and shutoff valves in the supply and return water lines that automatically close if water is detected by the leak detection system. The shutoff valves should be spring return and must be rated for a close-off pressure that is the same as or higher than the supply water pressure. If it is not possible to install an overflow drain pan, then a monitored leak detection system should be installed in the base of the unit or under the unit to actuate the shutoff valves immediately on a leak detection signal.

The overflow drain pan should have a drain line connected to it that flows to a floor drain or maintenance sink in case of a shutoff valve or leak detection system malfunction.

NOTICE

Risk of passageway interference. Can cause unit and/or structure damage. The unit may be too large to fit through a passageway while on or off the skid. Measure the unit and passageway dimensions, and refer to the installation plans prior to moving the unit to verify clearances.

NOTICE

Risk of damage from forklift. Can cause unit damage. Keep tines of the forklift level and at a height suitable to fit below the skid and/or unit to prevent exterior and/or underside damage.

NOTICE

Risk of improper storage. Keep the unit upright, indoors and protected from dampness, freezing temperatures and contact damage.

NOTICE

Risk of improper control circuits. Can cause equipment damage.

When using jumpers for troubleshooting, always remove jumpers when maintenance is complete. Jumpers left connected could override controls and cause equipment damage.

NOTE: This document is intended to be used together with site-specific documentation and documentation for other parts of the system (heat-rejection devices and cooling modules).

NOTE: Inform the facility manager before beginning any action that could cause a disturbance in the Vertiv™ Liebert® DCW system's cooling function. In addition, inform the facility manager after the action is taken and the work is finished.

This page intentionally left blank

1 Nomenclature and Components

This section describes the model number for Vertiv™ Liebert® DCP with Vertiv™ Liebert® iCOM™ Control units and components.

1.1 Model Number Nomenclature

Table 1.2 below describes each digit of the model number.

Table 1.1 Liebert® DCP Model Number Example

1	2	3	4	5	6	7	8	9	10	11	12
D	C	P	2	0	0	R	A	2	B	B	*

Table 1.2 Model Number Digit Definitions for Liebert® DCP

Digit	Description
Digits 1, 2, 3 = the base unit	DCP = Data-center pumping unit
Digit 4, 5, 6 = Nominal Capacity	200 = 200 kW
Digit 7 = Pumps	R = Redundant pumps
Digit 8 = Supply power	A = 460 V/3 ph/60 Hz
Digit 9 = Heat exchanger	2 = 12°F (°C) heat exchanger
Digit 10 = Secondary loop	B = Bottom piping
Digit 11 = Chilled-water connection	B = Bottom connection
Digit 12 = Revision level	

1.2 Product and System Description

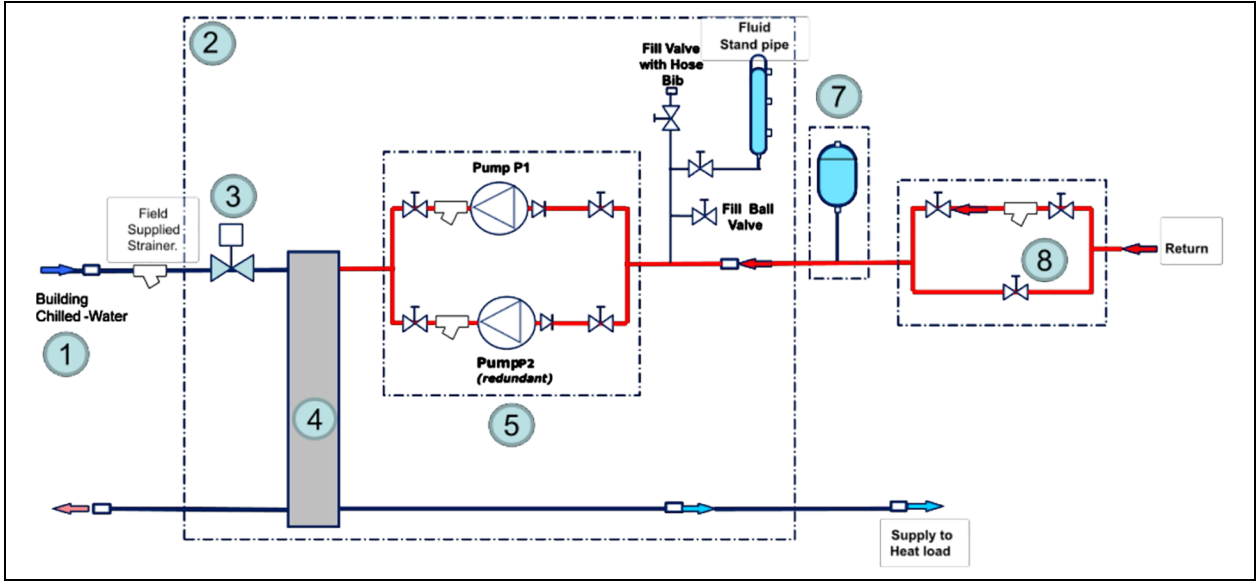
The Vertiv™ Liebert® DCP with Vertiv™ Liebert® iCOM™ Control chilled-water distribution unit is an interface between the building chilled-water system and the cooling modules in the Vertiv™ Liebert® DCW system. The Liebert® DCP with Liebert® iCOM™ Control circulates and controls chilled water to the cooling modules that are in the room with heat-producing equipment. The Liebert® DCP with Liebert® iCOM™ Control is rated for 200 kW (682,000 BTU/H) of cooling.

The Liebert® DCP with Liebert® iCOM™ cabinet includes a heat exchanger, circulating pump(s), control valve, receiver, controls, valves and piping.

The Liebert® DCP with Liebert® iCOM™ Control monitors room conditions and prevents coil condensation by maintaining the chilled water pumped to the cooling modules at a temperature above the room's dew point.

All functions, such as switching pumps (if applicable), controlling water temperature, and so on, are automatic.

Figure 1.1 Vertiv™ Liebert® DCP Components



Item	Description
1	Building chilled water
2	Liebert® DCP
3	Chilled water control valve
4	Braze plate heat exchanger
5	Pumps
7	Thermal expansion (field provided and installed)
8	Bypass strainer loop (field provided and installed)

2 Pre-installation Preparation and Guidelines

NOTE: Before installing unit, determine whether any building alterations are required to run piping, wiring, and duct work. Follow all unit dimensional drawings and refer to the submittal engineering dimensional drawings of individual units for proper clearances.

Refer to **Table 1.2** on page 7, and submittal drawings to determine the type of system being installed and anticipate building alterations, piping, and duct work needed.

The unit dimensions, pipe-connection locations, and piping schematics are described in the submittal documents included in the [Submittal Drawings](#) on page 91.

- Verify that the floor is level, solid and sufficient to support the unit. See **Table 2.2** below for unit weights.
- The Vertiv™ Liebert® DCP with Vertiv™ Liebert® iCOM™ Control may be installed near a wall or other Liebert® DCP with Liebert® iCOM™ Control unit. However, you must allow at least the minimum recommended clearances for maintenance and service. See the appropriate submittal drawings for dimensions.
- We recommend installing an under-floor water detection system. Contact your Vertiv representative for information.

2.1 Planning Dimensions

The unit dimensions are described in the submittal documents included in the [Submittal Drawings](#) on page 91.

The following table lists the relevant documents by number and title.

Table 2.1 Dimension Planning Drawings

Document Number	Title
DPN002400	Cabinet Dimensional Data

2.2 Unit Weights

Table 2.2 Vertiv™ Liebert® DCP Shipping Weights

Model Number	Domestic, lb (kg)	Export, lb (kg)
DCP200	1110 (510)	1285 (589)

This page intentionally left blank

3 Equipment Inspection and Handling

SAFETY INFORMATION



WARNING! Risk of top-heavy unit falling over when improperly lifted or moved. Can cause serious injury or death. Building and equipment damage may also result. Read all of the following instructions and verify that all lifting and moving equipment is rated for the weight of the unit before attempting to move, lift, remove packaging from or prepare the unit for installation. Unit weights are specified in **Table 2.2** on page 9 .



WARNING! Risk of improper moving. Can cause serious injury or death. Building and equipment damage may also result. Use only lifting equipment that is rated for the unit weight by an OSHA-certified rating organization. The center of gravity varies depending on the unit size and selected options. The slings must be equally spaced on either side of the center of gravity indicator. Shipping weights and unit weights are listed in the tables in **Table 2.2** on page 9 . Use the center of gravity indicators on the unit to determine the position of the slings.



WARNING! Risk of improper lifting. Can cause serious injury or death. Building and equipment damage may also result. A spreader bar or equivalent must be used when rigging to ensure the lifting force is completely vertical at these fasteners. Lift points are rated for lifting this section only. Do not lift assembled sections from these lift points.



WARNING! Risk of top-heavy unit falling over when improperly lifted or moved. Can cause serious injury or death. Building and equipment damage may also result. Read all of the following instructions and verify that all lifting and moving equipment is rated for the weight of the unit before attempting to move, lift, remove packaging from or prepare the unit for installation. Unit weights are specified in **Table 2.2** on page 9 .



CAUTION: Risk of contact with sharp edges, splinters, and exposed fasteners. Can cause injury. Only properly trained and qualified personnel wearing appropriate, OSHA-approved PPE should attempt to move, lift, remove packaging from or prepare the unit for installation.

NOTICE

Risk of passageway interference. Can cause unit and/or structure damage. The unit may be too large to fit through a passageway while on or off the skid. Measure the unit and passageway dimensions, and refer to the installation plans prior to moving the unit to verify clearances.

NOTICE

Risk of damage from forklift. Can cause unit damage. Keep tines of the forklift level and at a height suitable to fit below the skid and/or unit to prevent exterior and/or underside damage.

NOTICE

Risk of improper storage. Keep the unit upright, indoors and protected from dampness, freezing temperatures and contact damage.

Upon arrival of the unit and before unpacking:

- Verify that the labeled equipment matches the bill of lading.
- Carefully inspect all items for visible or concealed damage.
- Report damage immediately to the carrier and file a damage claim with a copy sent to Vertiv or to your sales representative.

Equipment Recommended for Handling the Unit:

- Forklift
- Pallet jack
- Piano jacks
- Slings
- Spreader bars

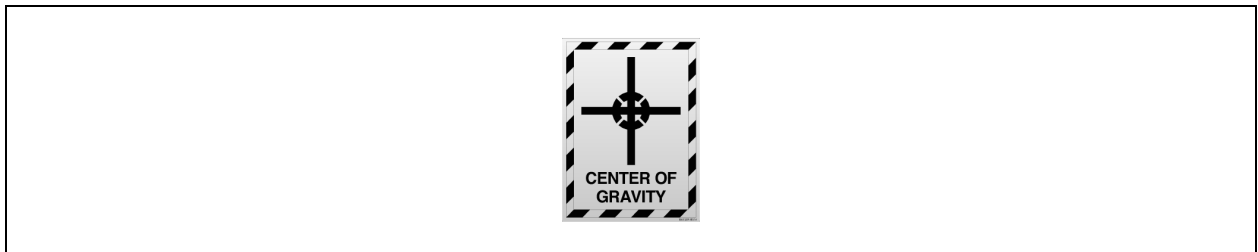
3.1 Handling the Unit While Packaged

If possible, transport the unit with a forklift or pallet jack. If that is not possible, use a crane with slings and spreader bars that are rated for the weight of the unit.

When using a forklift or pallet jack:

- Ensure that the fork length is suitable for the unit length and, if adjustable, spread to the widest allowable distance that will fit under the skid.
- When moving the packaged unit, do not lift the unit any higher than 6 in. (152 mm). All personnel except those moving the unit must be kept 12 ft (3.7 m) or more from the unit while it is being moved.
- If the unit must be lifted higher than 6 in. (152 mm), all personnel not directly involved in moving the unit must be 20 ft (5 m) or farther from the unit.
- Always refer to the location of the center-of-gravity indicators when lifting the unit, see **Figure 3.1** below .

Figure 3.1 Center of Gravity Indicator

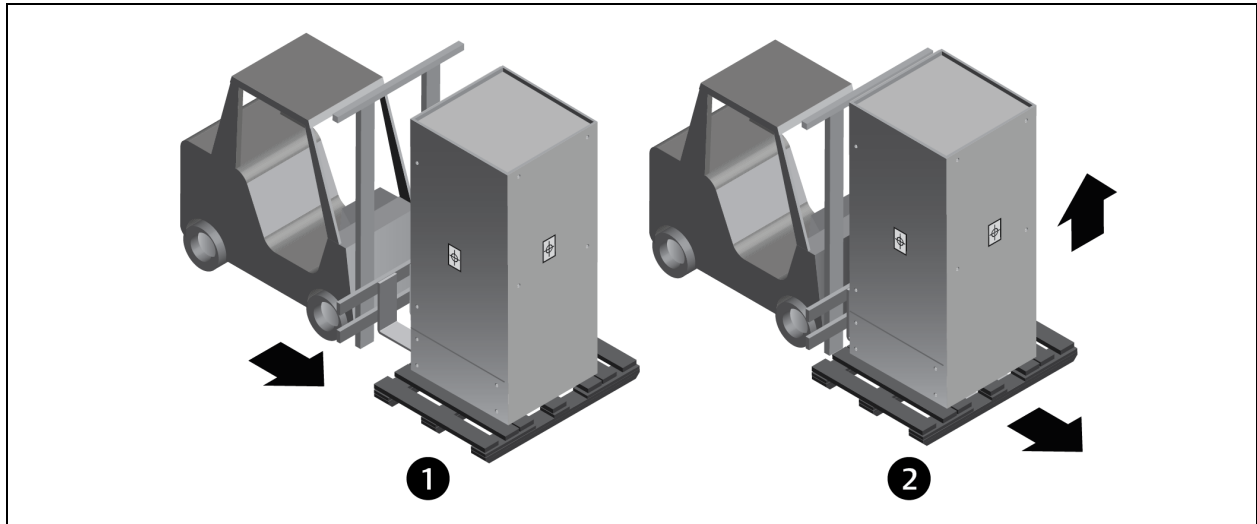


3.1.1 Removing the Unit from the Skid with a Forklift

1. Using a 9/16-in. socket or wrench, remove the 12 1-1/2 in. (38 mm) long lag screws and the 2 brackets that secure the unit to the skid.
2. Align a forklift so the tines can be inserted under the unit.
3. Referring to **Figure 3.2** on the facing page :
 - Insert the tines of the forklift completely under the base and beyond the opposite side of the unit making sure they are level, not angled upward.
 - Lift the unit off the skid to where the skid is not supporting the weight of the unit, and remove the skid.

4. To move the unit with piano jacks, keep the unit elevated, and refer to [Moving the Unit with Piano Jacks](#) on page 16.

Figure 3.2 Remove the Unit from the Skid with a Forklift



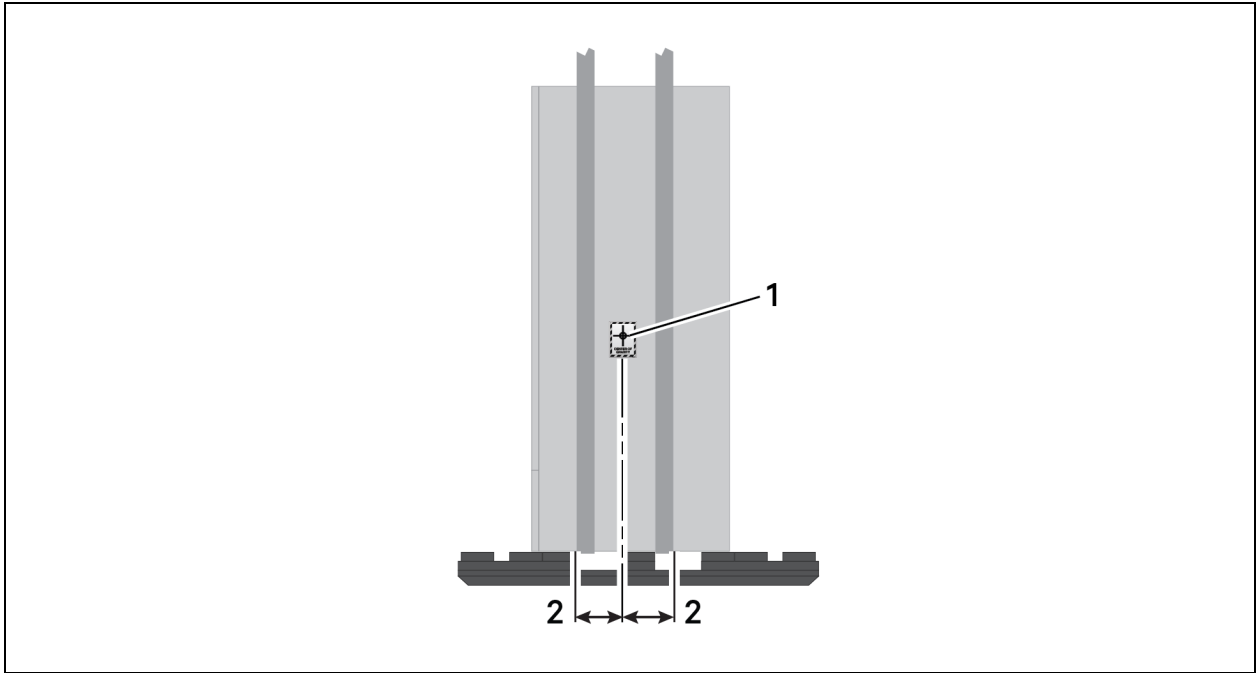
Item	Description
1	Insert tines completely under base of unit.
2	Lift unit and remove skid.

3.1.2 Removing the Unit from the Skid Using Rigging

1. Using a 9/16-in. socket or wrench, remove the 12 1-1/2 in. (38 mm) long lag screws and the 2 brackets that secure the unit to the skid.
2. Place slings under the unit using the spaces provided between the skid deck boards. Use the center of gravity indicators on the unit to determine the position of the slings as shown in **Figure 3.3** below .

NOTE: The unit is shown without packaging. You may refer to these steps to move the unit with rigging while the outer packaging is in place.

Figure 3.3 Center of Gravity Indicator and Example Sling Placement



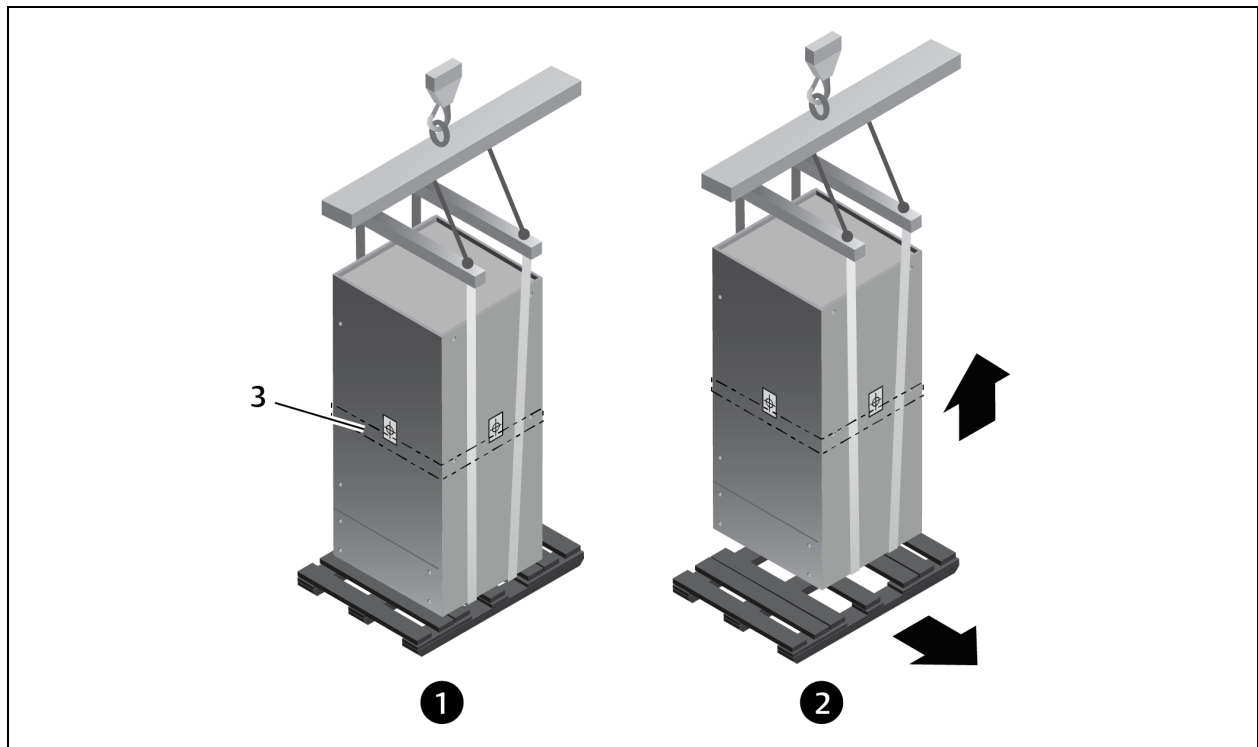
Item	Description
1	Center of gravity marker
2	Equal distance between sling and marker.

3. Referring to **Figure 3.4** below :
 - Use spreader bars or an equivalent device to protect the unit from crushing when it is lifted with the slings. Ensure that the unit's panels, if the bag is removed, are protected from the slings.

NOTE: If rigging will be used to move the unit closer to the site for installation, place one or two horizontal straps around the unit at mid-height.

- Lift the unit off the skid to a point where the weight of the unit is not resting on the skid, and remove the skid from under the unit.
4. To move the unit with piano jacks, keep the unit elevated, and refer to [Moving the Unit with Piano Jacks](#) on the next page .

Figure 3.4 Remove the Unit from the Skid with Rigging

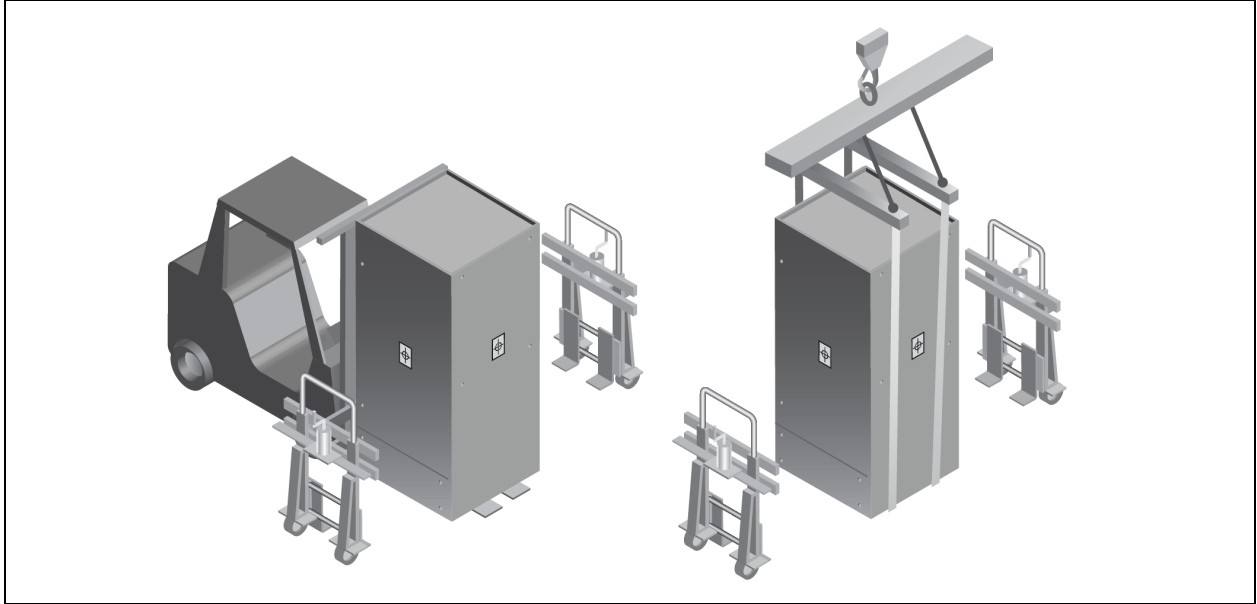


Item	Description
1	Use spreader bars and protect unit from slings.
2	Lift unit so that weight is not on skid, and remove the skid.
3	Horizontal strap location, at mid-height of unit.

3.1.3 Moving the Unit with Piano Jacks

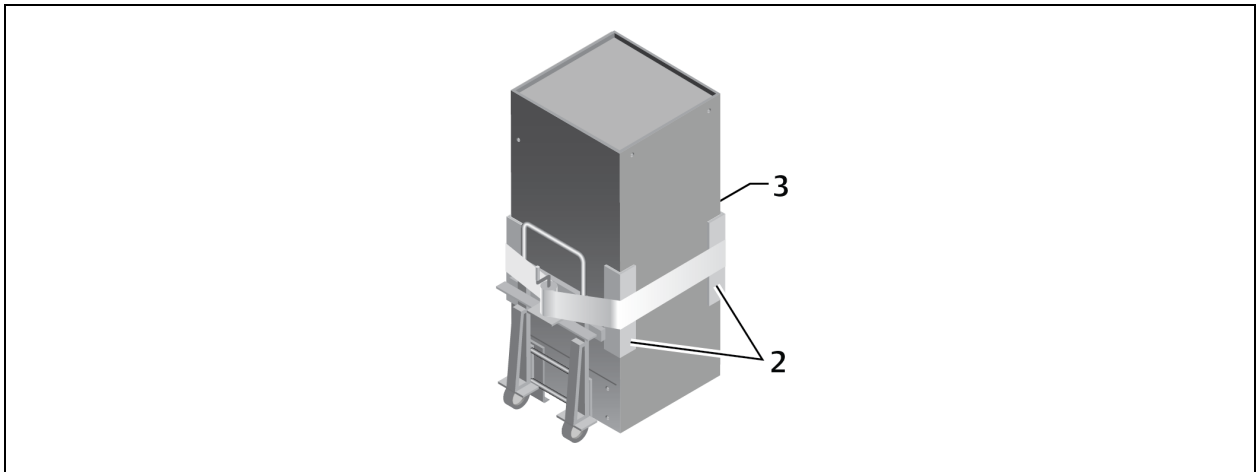
1. With the unit raised by a forklift, pallet jack or rigging according to the previous instructions, position a piano jack on either side of the elevated unit, see **Figure 3.5** below , then lower the unit to a height suitable for the piano jacks.

Figure 3.5 Lower Unit to Piano Jacks



2. Place protective padding between the unit and the piano jacks and straps, then secure the unit to the piano jacks with the straps as shown in **Figure 3.6** below .

Figure 3.6 Unit Strapped to Piano Jacks



Item	Description
2	Protective padding between piano jacks and straps
3	Second piano jack on opposite side

3. Depending on the method used, lower the forklift tines and move the forklift away or remove the straps and move the rigging away.
4. Use the piano jacks to move the unit to the installation site.
 - At least 2 properly-trained and qualified personnel are required to move the unit with piano jacks.
5. Once the unit is in the installation location, remove the unit from the piano jacks:
 - Lower the unit as far as the piano jacks will allow.
 - Undo all straps holding the unit to the piano jacks.
 - Use a pry bar or similar device to lift one end of the unit enough to remove one piano jack.
 - Repeat the previous step to remove the piano jack on the opposite end.
 - Remove the padding used to protect the unit from the piano jacks and strapping.

This page intentionally left blank

4 Piping Requirements

- All piping must be ASTM (American Society for Testing and Materials) Type ACR copper pipe.
- All connections to the unit must be high-temperature brazed joints. Do not use soft soldering.
- Factory-installed piping brackets must not be removed.
- Field-installed piping must be installed in accordance with local codes and must be properly assembled, supported, isolated, and insulated.
- Insulate all piping lines to prevent condensation in applications where the dew point approaches the chilled-water temperature.
- Field installed wye strainer kit ships loose with the Vertiv™ Liebert® DCP with Vertiv™ Liebert® iCOM™ Control and is installed in the secondary (Vertiv™ Liebert® DCD) return line to the DCP. The wye strainer protects the pump, brazed plate heat exchanger, and system components from debris.
- Field to supply and install a Thermal expansion tank on the secondary chilled loop to the Liebert® DCD, per local code.

Refer to specific text and detailed diagrams in this manual for other unit-specific piping requirements.

The pipe connection locations and shipped-loose wye strainer are described in the submittal documents included in the [Submittal Drawings](#) on page 91.

The following table lists the relevant documents by number and title.

Table 4.1 Piping General Arrangement Drawings

Document Number	Title
DPN004751	Piping general arrangement, Vertical pumping unit

Figure 4.1 Piping Schematic

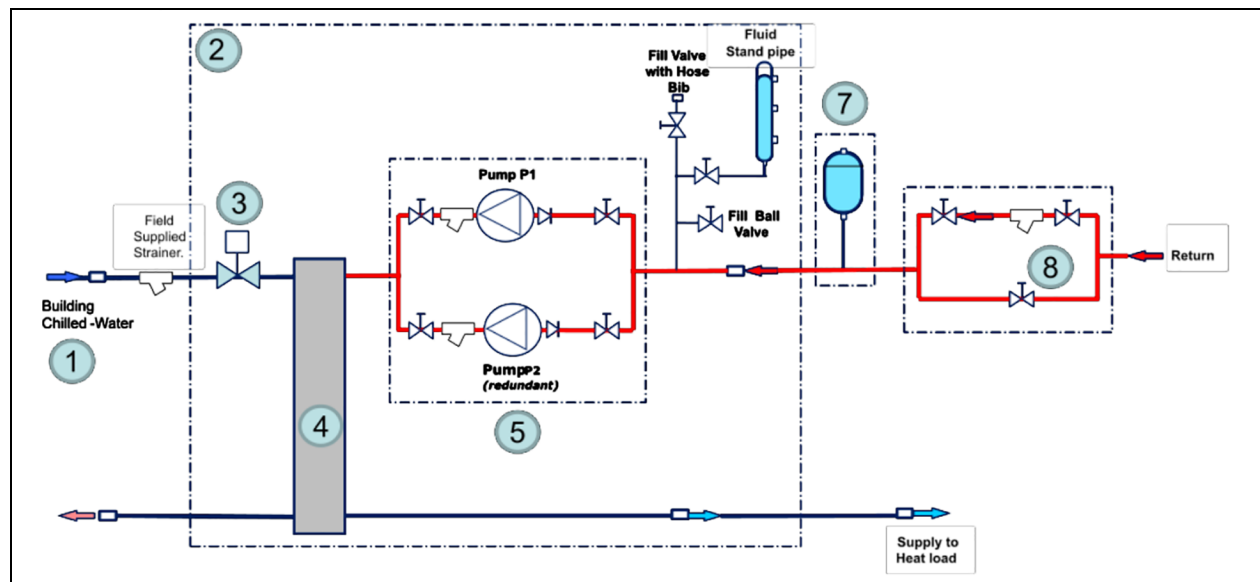


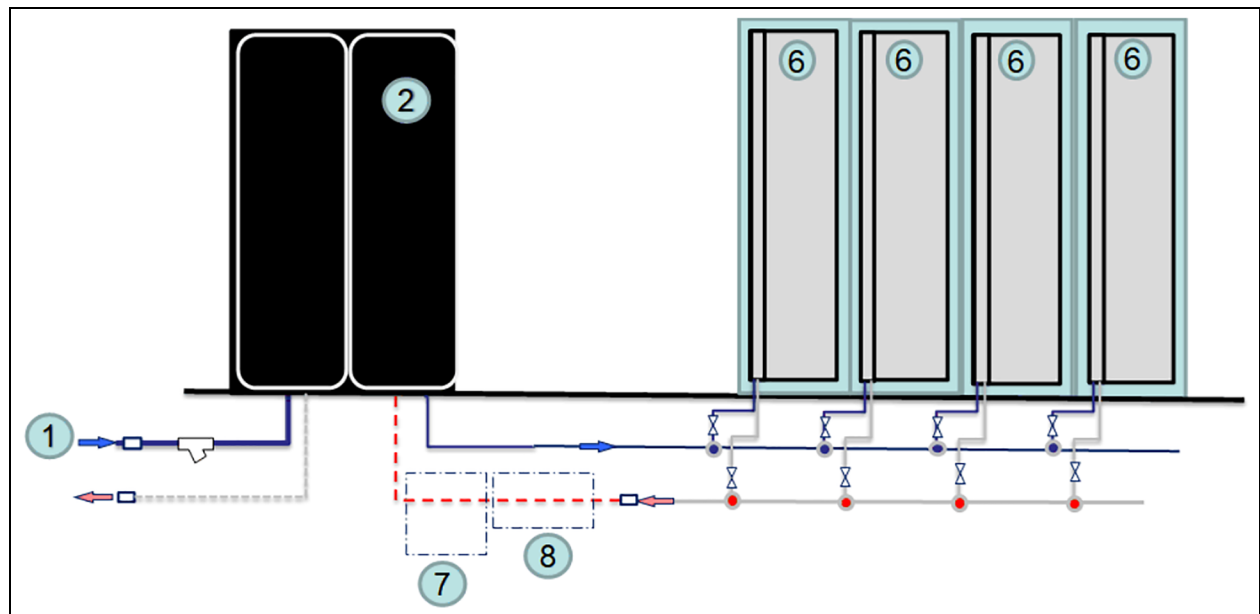
Table 4.2 Piping Connection Drawings

Document Number	Title
DPN002400	Piping Connections

4.1 Interconnection with Cooling Modules

All piping must be ASTM (American Society for Testing and Materials) Type ACR copper pipe. The Vertiv™ Liebert® DCP with Vertiv™ Liebert® iCOM™ Control may be connected to Vertiv™ Liebert® DCD cooling modules with prefabricated piping assembly or rigid, off-the-shelf piping. The cooling modules are connected in parallel between main return and supply pipes going to and from the Liebert® DCP with Liebert® iCOM™ Control. **Figure 4.2** below represents a typical configuration.

Figure 4.2 Typical Liebert® DCP System Diagram



Item	Description
1	Building chilled water
2	Liebert® DCP or Cooling Distribution Unit
6	Liebert® DCD
7	Thermal expansion (field provided and installed)
8	Bypass Strainer Loop (field provided and installed)

4.2 Chilled-water Loop Piping Guidelines



CAUTION: Risk of coil and piping rupture. Can cause equipment damage and major fluid leaks resulting in serious building damage, expensive repair costs and costly system down time. Thermal expansion of the cooling fluid without means of expansion can cause the coil and piping to rupture, spilling cooling fluid in the conditioned space. This can be caused, among other ways, by closing the ball valves on both the supply and the return pipes. Always allow for thermal expansion either by leaving at least one of the valves open or by opening the Vertiv™ Liebert® DCD bleed valve.



CAUTION: Risk of improper piping installation, leak checking, fluid chemistry and fluid maintenance. Can cause injury. Building and equipment damage may also result. Installation and service of this equipment should be done only by qualified personnel who have been specially-trained in the installation of air-conditioning equipment and who are wearing appropriate, OSHA-approved PPE.

NOTICE

Risk of piping-system corrosion and freezing fluids. Can cause leaks resulting in equipment and very expensive building damage. Cooling coils, heat exchangers and piping systems are at high risk of freezing and premature corrosion. Fluids in these systems must contain the proper antifreeze and inhibitors to prevent freezing and premature coil, heat exchanger and piping corrosion. The water or water/glycol solution must be analyzed by a competent local water treatment specialist before start up to establish the inhibitor and antifreeze solution requirement and at regularly scheduled intervals throughout the life of the system to determine the pattern of inhibitor depletion.

The complexity of water/glycol solution condition problems and the variations of required treatment programs make it extremely important to obtain the advice of a competent and experienced water treatment specialist and follow a regularly scheduled coolant fluid system maintenance program.

Water chemistry varies greatly by location, as do the required additives, called inhibitors, that reduce the corrosive effect of the fluids on the piping systems and components. The chemistry of the water used must be considered, because water from some sources may contain corrosive elements that reduce the effectiveness of the inhibited formulation. Sediment deposits prevent the formation of a protective oxide layer on the inside of the coolant system components and piping. The water/coolant fluid must be treated and circulating through the system continuously to prevent the buildup of sediment deposits and or growth of sulfate reducing bacteria.

Proper inhibitor maintenance must be performed in order to prevent corrosion of the system. Consult glycol manufacturer for testing and maintenance of inhibitors.

Commercial ethylene glycol, when pure, is generally less corrosive to the common metals of construction than water itself. It will, however, assume the corrosivity of the water from which it is prepared and may become increasingly corrosive with use if not properly inhibited.

We recommend installing a monitored fluid-detection system that is wired to activate the automatic-closure of field-installed coolant-fluid supply and return shut-off valves to reduce the amount of coolant-fluid leakage and consequential equipment and building damage. The shut-off valves must be sized to close-off against the maximum coolant-fluid system pressure in case of a catastrophic fluid leak.

NOTICE

Risk of no-flow condition. Can cause equipment damage. Do not leave the water/coolant fluid-supply circuit in a no-flow condition. Idle fluid allows the collection of sediment that prevents the formation of a protective oxide layer on the inside of tubes. Keep unit switched On and water/coolant fluid-supply circuit system operating continuously.

NOTICE

Risk of leaking chilled water lines. Can cause equipment and building damage.

Lines and joints must be inspected regularly. Improper installation, application and service practices can result in water leakage from the unit. Water leakage can result in severe property damage and loss of critical data center equipment. Do not locate unit directly above any equipment that could sustain water damage.

Vertiv recommends installing monitored leak detection equipment for the unit and supply and return lines.

NOTICE

Risk of a catastrophic water circuit rupture. Can cause expensive building and equipment damage.

Install an overflow drain pan under the unit with a monitored leak detection system in the pan and shutoff valves in the supply and return water lines that automatically close if water is detected by the leak detection system.

The shutoff valves should be spring return and must be rated for a close-off pressure that is the same as or higher than the supply water pressure. If it is not possible to install an overflow drain pan, then a monitored leak detection system should be installed in the base of the unit or under the unit to actuate the shutoff valves immediately on a leak detection signal.

The overflow drain pan should have a drain line connected to it that flows to a floor drain or maintenance sink in case of a shutoff valve or leak detection system malfunction.

NOTE: This document is intended to be used together with site-specific documentation and documentation for other parts of the system.

Refer to **Figure 4.2** on page 20 , for the recommended, field-installed piping arrangement.

- Equipment damage and personal injury can result from improper piping installation, leak checking, fluid chemistry, and fluid maintenance.
- Follow local piping codes, safety codes.
- During brazing, fill lines with flowing dry nitrogen to prevent excessive oxidation and scale formation inside the piping. Employ prevailing good refrigeration practices for piping supports, leak testing, dehydration, and charging. Failure to do so may result in damage to the system. Refer to the ASHRAE refrigeration handbook for general good practices.
- Qualified personnel must install and inspect system piping.
- Contact a local water consultant regarding water quality, corrosion protection, and freeze protection requirements.
- Install manual shut-off valves at the supply and return line to each unit to permit routine service and emergency isolation of the unit.
- Install a monitored, fluid-detection system that is wired to activate the automatic closure of field-installed coolant-fluid supply and return shut-off valves to reduce the amount of coolant fluid leakage and consequential equipment and building damage. The shut-off valves must be sized to close-off against the maximum coolant-fluid system pressure in case of a catastrophic fluid leak.
- To safeguard the maximum lifetime of air/water heat exchangers, the water used for chilling purposes must meet the VGB Chilled Water Guidelines (VGB-R 455 P). See **Table 4.5** on page 27 .

4.2.1 Piping Connection Sizes

Table 4.3 below lists copper pipe connections on the Vertiv™ Liebert® DCP with Vertiv™ Liebert® iCOM™ Control .

Table 4.3 Liebert® DCP Piping Connection Sizes

Connection	Size OD cu, in.
Building Chilled Water Supply	2-5/8
Chilled Water Return	2-5/8
Coolant Supply	2-5/8
Coolant Return	2-5/8
Fill Water Source	5/8

4.2.2 Recommended Pipe Sizes

Connect the main pipes between the Vertiv™ Liebert® DCP with Vertiv™ Liebert® iCOM™ Control and the Vertiv™ Liebert® DCD according to site-specific documentation and the configuration guide for the Liebert® DCD.

Minimize elbows and restrictions to get good fluid flow.

Table 4.4 Supply and Return Pipe Size Requirements for Liebert® DCD

Nominal Pipe Size, in. (mm)	Maximum Total Equivalent Length, ft (m)	Piping Material
2.5 (64)	75 (23)	Type L Copper
3 (76)	150 (46)	Copper or Schedule 40 Steel
3.5 (89)	300 (91)	Copper or Schedule 40 Steel

4.2.3 Air Bleeders

Install air bleeders at each high point in the piping circuits.

4.2.4 Piping Mains

Install a 20-40 mesh strainer on the chilled-water supply to the Vertiv™ Liebert® DCP with Vertiv™ Liebert® iCOM™ Control . The strainer is needed to prevent particles in the chilled water from entering the Liebert™ DCP with Liebert® iCOM™ Control's heat exchanger.

4.2.5 Bypass Flow Controllers

The Vertiv™ Liebert® DCP with Vertiv™ Liebert® iCOM™ Control pumping unit provides a total of 114 GPM (25.9m³/h) of cooling water to the cooling modules. The pump operates at its highest efficiency between 90 GPM to 120 GPM (20.4 m³/h to 27.3m³/h). Permanent bypass flow controllers must be installed to ensure flow within this range. We recommend using four 22.67-GPM (5.15-m³/h) constant-flow regulators or a regulator of similar flow capacity as bypass valves. Bypass lines also prevent excessive flow through the cooling modules when only a few modules are installed and maintain a high flow rate through the pump.

Refer to individual cooling-module specifications to estimate the maximum combined allowable flow for all the units connected to the Liebert™ DCP with Liebert® iCOM™ Control . If the allowable combined flow rate is less than 90 GPM (20.4 m³/h), then you must open as many bypass controllers as necessary to maintain a flow above 90 GPM (20.4 m³/h) through the Liebert® DCP with Liebert® iCOM™ Control.

For example, the maximum allowable water-flow rate for a Vertiv™ Liebert® DCD unit is 22.7 GPM (5.2 m³/h). At least 4 of these units must be connected in parallel to the Liebert™ DCP with Liebert® iCOM™ Control to achieve a total flow of over 90 GPM (20.4 m³/h).

$$22.7 \text{ GPM} \times 4 \text{ Liebert® DCP with Liebert® iCOM™ Control units} = 90.8 \text{ GPM total flow}$$

$$5.2 \text{ m}^3/\text{h} \times 4 \text{ Liebert® DCP with Liebert® iCOM™ Control units} = 20.8 \text{ m}^3/\text{h total flow}$$

If fewer units are connected to the Liebert® DCP with Liebert® iCOM™ Control , you must open bypass lines to maintain the total flow through the Liebert™ DCP with Liebert® iCOM™ Control within the 90 to 120 GPM (20.4 to 27.3 m³/h) range.

For example, if 3 Liebert® DCD modules are connected to a Liebert™ DCP with Liebert® iCOM™ Control , the total flow of 68.1 GPM (15.47 m³/h) is insufficient. A bypass flow controller of 22.67 GPM (5.15 m³/h) must be added to increase the flow rate to at least 90 GPM (20.4 m³/h)

$22.7 \text{ GPM} \times 3 \text{ Liebert}^{\circ} \text{ DCP with Liebert}^{\circ} \text{ iCOM}^{\text{TM}} \text{ Control units} = 68.1 \text{ GPM}$

$22.7 \text{ GPM} \times 3 \text{ Liebert}^{\circ} \text{ DCP with Liebert}^{\circ} \text{ iCOM}^{\text{TM}} \text{ units} + 22.67\text{-GPM bypass-flow controller} = 90.77 \text{ GPM}$

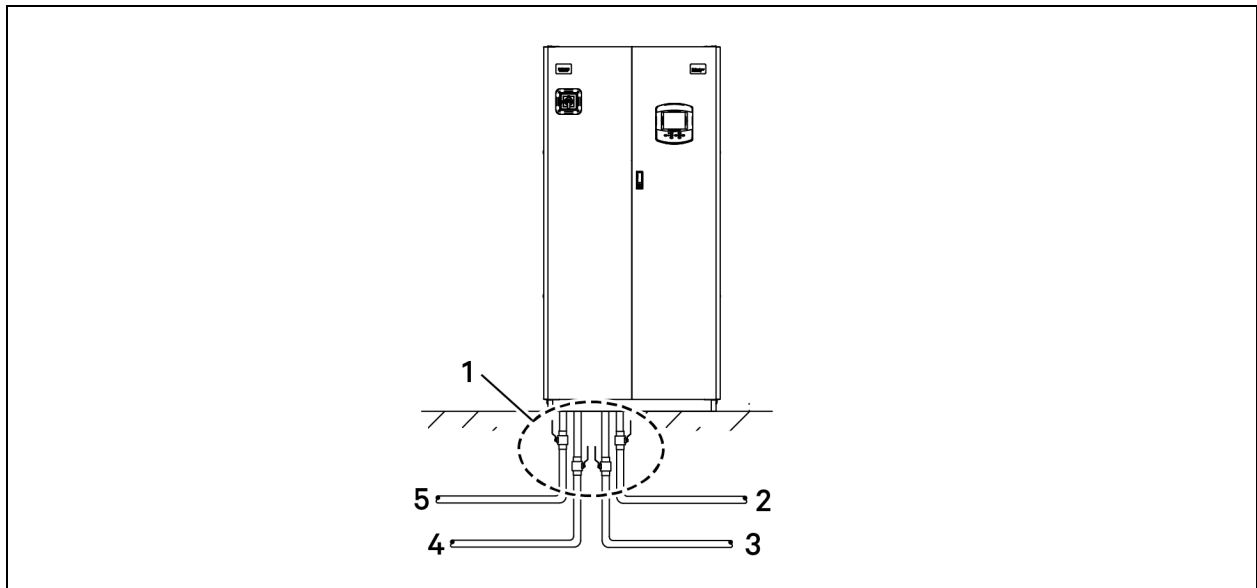
$5.2 \text{ m}^3/\text{h} \times 3 \text{ Liebert}^{\circ} \text{ DCP with Liebert}^{\circ} \text{ iCOM}^{\text{TM}} \text{ Control units} = 15.47 \text{ m}^3/\text{h}$

$5.2 \text{ m}^3/\text{h} \times 3 \text{ Liebert}^{\circ} \text{ DCP with Liebert}^{\circ} \text{ iCOM}^{\text{TM}} \text{ Control units} + 5.15 \text{ m}^3/\text{h bypass flow controller} = 20.75 \text{ m}^3/\text{h}$

4.2.6 Shut-off/Isolation Valves

Install isolation valves on the Vertiv™ Liebert® DCP with Vertiv™ Liebert® iCOM™ Control's secondary chilled-water circuit to permit maintenance on the unit. See **Figure 4.3** below .

Figure 4.3 Shut-off/Isolation Valve Locations



Item	Description
1	We recommend installing shut-off valves as shown to isolate the Liebert® DCP with Liebert® iCOM™ Control for maintenance.
2	Supply main Secondary loop to Liebert® DCD
3	Return main Secondary loop from Liebert® DCD
4	Supply main from chilled water source to Liebert® DCP
5	Return main to chilled water source from Liebert® DCP

4.2.7 Insulation

NOTE: Do not insulate piping before checking it for leaks. Insulating pipes before checking them for leaks would prevent easy detection of leaks.

Insulate all piping between the Vertiv™ Liebert® DCP with Vertiv™ Liebert® iCOM™ Control and its connected cooling modules to prevent condensation where the piping passes through non-conditioned areas.

4.3 Filling the Unit

Use these procedures to properly fill the Vertiv™ Liebert® DCP with Vertiv™ Liebert® iCOM™ Control.

4.3.1 Check for Proper Installation of Components and Workmanship

1. Confirm that the flow directions of field-installed components are correct.
2. Confirm that all isolating valves are open (keep the hose bib valve closed when filling).
3. Confirm that all auto air vents are closed (tighten caps if applicable).
4. Test the water quality when filling the system. Refer to the values in **4.3.1** above for minimum corrosion and erosion.

For reliable function of the Vertiv™ Liebert® DCD, chilled water must be available in an appropriate amount, of the required quality, and at the appropriate temperature and pressure.

4.3.2 Water Quality Requirements

To safeguard the maximum lifetime of air/water heat exchangers, the water used for chilling purposes must meet the VGB Chilled Water Guidelines (VGB-R 455 P). The chilled water used must be soft enough to prevent deposits, but it must not be too soft because that would lead to corrosion of the heat exchanger.

Table 4.5 below, lists the most important impurities and measures for their removal.

Table 4.5 Water Impurity

Water Impurity or Condition	Corrective Method
Particles (dp < 0.3 mm)	Filter the water.
Excessive hardness	Soften the water by ion exchange.
Moderate level of particles and hardeners	Add dispersion or stabilization agents.
Moderate level of chemical impurities	Add deadening agents and inhibitors.
Biological impurities (bacteria and algae)	Add biocides.

We recommend treating water to it get as closest as possible to the values in **Table 4.6** below

Table 4.6 Hydrological Data

Hydrological Data	Recommended Purity Levels
pH values	(7 - 10.5)
Carbonate hardness	(3 - 8) °dH
Free carbon dioxide	(8 - 15) mg/dm ³
Combined carbon dioxide	8 - 15mg/dm ³
Aggressive carbon dioxide	0mg/dm ³
Sulfides	< 10mg/dm ³
Oxygen	< 50mg/dm ³
Chloride ions	< 250mg/dm ³
Sulphate ions	< 10mg/dm ³
Nitrates and nitrites	< 7mg/dm ³
COB	< 5mg/dm ³
Ammonia	< 5mg/dm ³

Table 4.6 Hydrological Data (continued)

Hydrological Data	Recommended Purity Levels
Iron	< 0.2mg/dm ³
Manganese	< 0.2mg/dm ³
Conductivity	< 30S/cm
Solid residue from evaporation	< 500mg/dm ³
Potassium manganese consumption	< 25mg/dm ³
Suspended matter	< 3mg/dm ³
Partial Flow Cleaning Recommended	3 -15 mg/dm ³
Full Flow Cleaning	> 15mg/dm ³

4.3.3 Water Temperature Requirements

The cold water supply temperature must be higher than the dew point temperature of the cold space. Failure to maintain the cold water supply temperature above the room dew point will result in condensation. The Vertiv™ Liebert® DCD provides only for sensible cooling. You must avoid dehumidification of the room by the DCD. The built-in condensate tray with condensate drain is designed only for a short-term condensation.

Table 4.7 Application Conditions

Operating Ambient Temperature	50°F - 95°F (10°C - 35°C) (Other Temperatures on Request)
Maximum Absolute Air Humidity on Site	8g/kg
Chilled Water Temperature Intake	53.6°F (12°C) Other Temperatures on Request
Chilled Water Temperature Outlet	64.4°F (18°C) Other Temperatures on Request
Water Temperature Difference	10.8°F (6°K)
Use of Glycol	On Request (Not Recommended)
Chilled Water Connection	Rack - Rear Side (Top or Bottom Connection)
Condensate Tray Drain Connection	Rack - Rear Side; 5/8"
Maximum Operating Pressure	145psi (10bar)

4.3.4 Conduct Air Pressure Test

1. Turn Off power to the unit.
2. Set the pressure at 150 psig (1034 kPa; 10.3 bars) maximum for at least 30 minutes or according to local codes.
3. Repair any leaks if necessary.

4.3.5 Connecting the Water Fill Line

NOTE: Check with local codes for proper connection to potable water and EPA conformance. The chilled water used must be soft enough to prevent deposits, but it must not be too soft because that would lead to corrosion of the Vertiv™ Liebert® DCD heat exchanger. Do NOT use the hose bib at the bottom of the unit to fill the system. See Figure 4.5 on page 32 and Figure 4.4 on page 31.

1. When filling the system, use only water that can be classified and used as drinking water.
 - a. Open all vents (loosen caps if applicable) to allow air to escape during filling.
 - b. Remove the Schrader pin in the valve at the top of the standpipe to obtain 0 psig pressure, see **Figure 4.4** on page 31.
 - c. Open Valves #1 and #2 to allow the system to fill, see **Figure 4.5** on page 32.
 - d. When the water has reached the FILL level in the bottom sight glass of the standpipe, immediately close Valve #1 to isolate the standpipe from the system, see **Figure 4.5** on page 32.
 - e. Replace the Schrader pin in the valve at the top of the standpipe.
2. Bleed air thoroughly. Keep Valve #1 closed to isolate the standpipe from the system.
 - a. Depress pins at all vents.
 - b. Manually depress pins at all Schrader vents on each rack, see **Figure 4.6** on page 33.
 - c. Manually vent at pump housing plugs, see **Figure 4.5** on page 32.
 - d. Vent both capillary lines at each high and low pressure port flare connection for the differential pressure switch, see **Figure 4.4** on page 31, and **Figure 4.5** on page 32.
 - e. Continue to vent until the system is full, then close Valve #2.
3. Open Valve #1 to reconnect the system to the standpipe.
The fluid level should rise above the fill, but below the NORMAL level on the sight glass.
 - If the fluid level is above the NORMAL level, release water by opening the hose bib until the level reaches the NORMAL level on the sight glass.
 - If the fluid level is below the NORMAL level on the sight glass, open Valve #2 until the level reaches the NORMAL level.
4. Turn the system on (pumps will operate) and continue to vent air for 24 hours to remove as much air as possible.
 - If steps 1 to 3 are followed properly, the air pressure in the top of the standpipe should be 14 PSIG (± 2 PSIG).

NOTE: Add water as necessary to maintain a normal level reading.

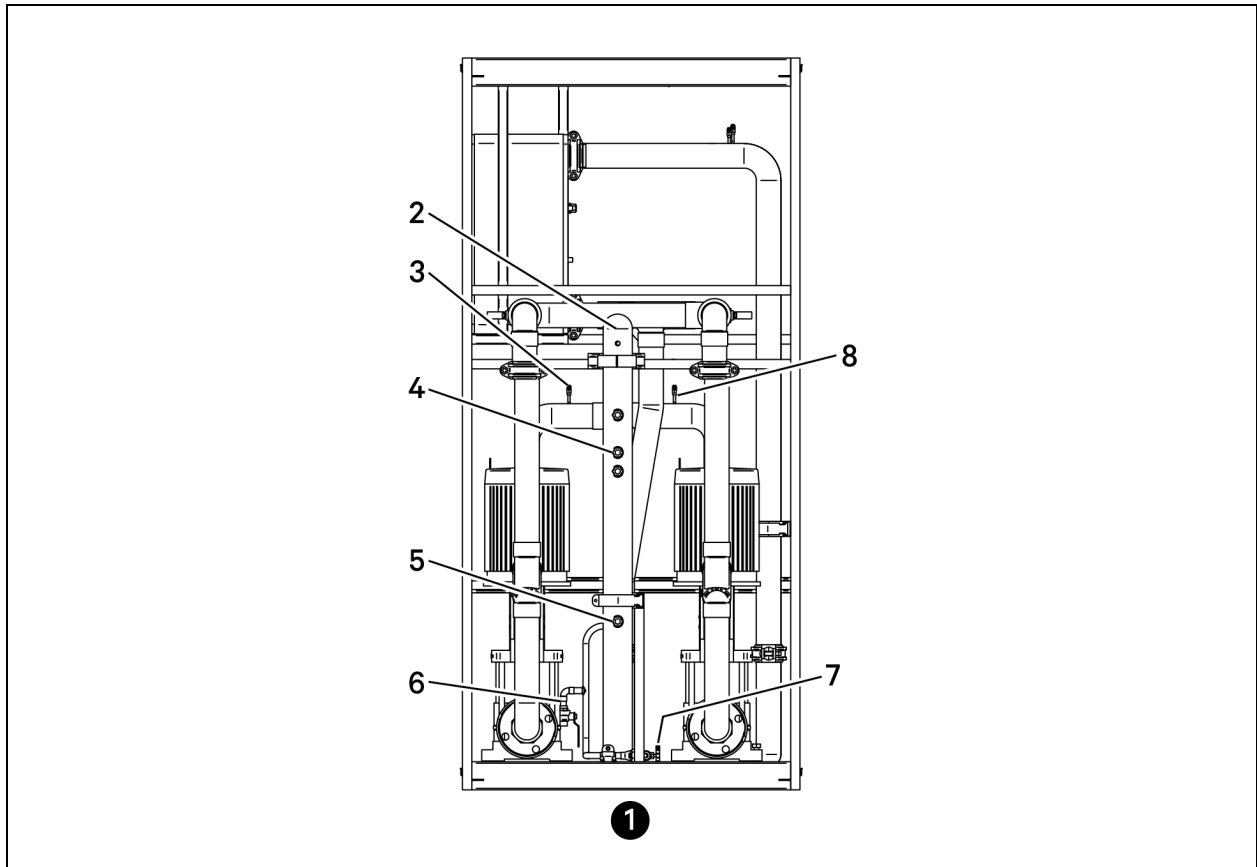
5. When the system is mostly air-free, close all air vents (tighten caps securely). This includes vents at each rack and auto air vents on the main headers, see **Figure 4.6** on page 33.
6. Conduct a fluid-pressure test.
 - a. Pressure test the system with water at city pressure for six hours or according to local codes.
 - b. Check for leaks.

7. Add a water corrosion inhibitor. Add biocides to prevent Biological impurities (bacteria and algae).
 - We strongly recommend using a closed-system treatment (CST). CST is available from Terlyn Industries at 800-200-4112 or www.terlyn.com.
 - Additional treatment might be required after six to 12 months of operation, depending on the quality of your water.

NOTE: Many parameters contribute to water corrosion and erosion, and the requirements stated above do not guarantee 100% corrosion and erosion prevention. However, when these parameters are met and a corrosion inhibitor is used, the possibility of corrosion and erosion in the closed loop water system should be minimized, therefore maximizing the life expectancy of the system.

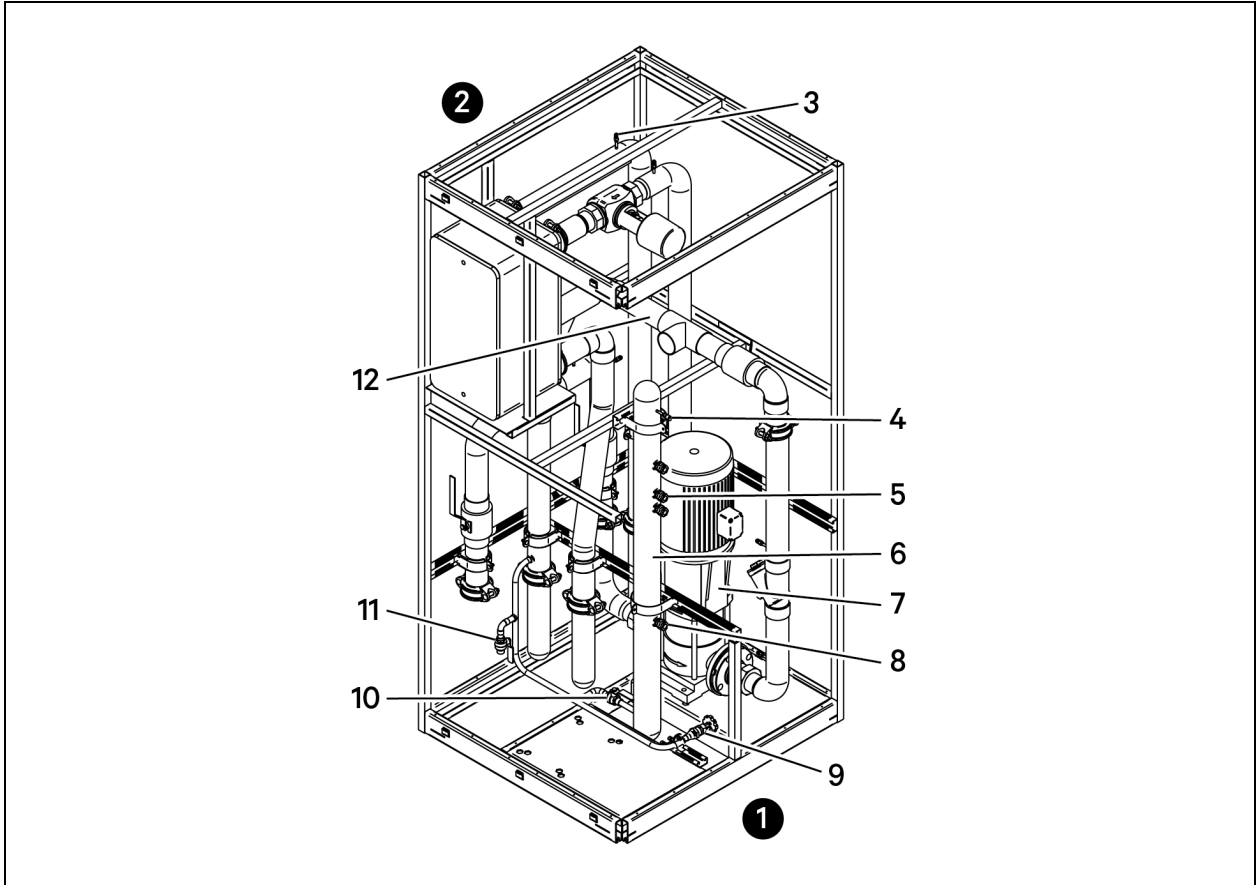
8. Refill the system by following steps 1 to 5, then go to step 9.
9. Turn the unit On by pressing the **I/O** key.

Figure 4.4 Standpipe Filling Components



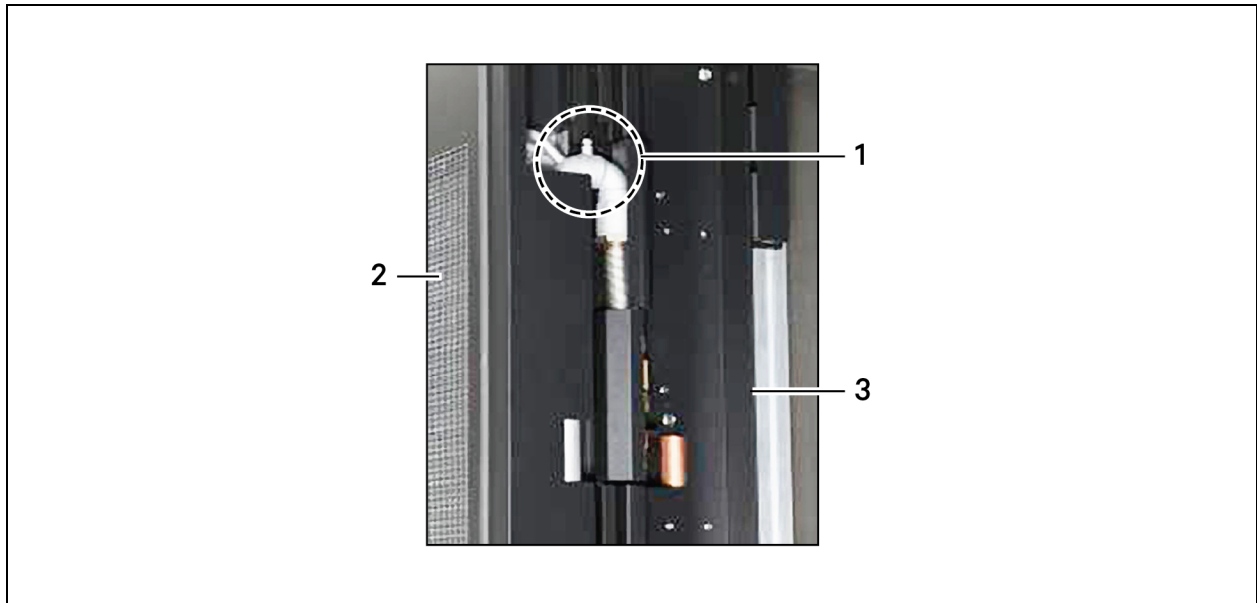
Item	Description
1	Front of Liebert® DCP (unit panels removed)
2	Standpipe
3	Vent point
4	Sight glass (normal level)
5	Sight glass (fill level)
6	Valve #2
7	Hose bib
8	Vent for low-side pressure port of differential-pressure switch

Figure 4.5 Vertiv™ Liebert® DCP Filling Components



Item	Description
1	Front of unit (unit panels removed)
2	One pump removed from view for clarity
3	Vent port
4	Vent port
5	Sight glass (normal level)
6	Standpipe
7	Vent for pump
8	Sight glass
9	Hose bib
10	Valve #1
11	Valve #2
12	Vent for high-side pressure port of differential-pressure switch

Figure 4.6 Vertiv™ Liebert® DCD Bleed Valve



Item	Description
1	Bleed valve
2	DCD
3	Rack

This page intentionally left blank

5 Electrical Connections

Electrical service must conform to national and local electrical codes. Refer to equipment nameplate regarding wire size and circuit protection requirements. Refer to electrical schematic when making connections. Refer to the appropriate submittal drawing, listed in **Table 5.1** on the next page, and the figures in the following procedures for electrical service entrances into unit.

A manual electrical disconnect switch should be installed in accordance with local codes and distribution system. Consult local codes for external disconnect requirements.



WARNING! Arc flash and electric shock hazard. Can cause serious injury or death. Building and equipment damage may also result. Disconnect all local and remote electric power supplies and wear appropriate, OSHA-approved personal protective equipment (PPE) per NFPA 70E before working within the electric control enclosure. Customer must provide earth ground to unit, per NEC, CEC and local codes, as applicable.

Verify with a voltmeter that power is Off. The Vertiv™ Liebert® iCOM™ controller does not isolate power from the unit, even in the “Unit Off” mode. Some internal components still require and receive power even during the “Unit Off” mode of the Liebert® iCOM™ controller. The factory-supplied, optional disconnect switch is inside the unit. The line side of this switch contains live high voltage. The only way to ensure that there is NO voltage inside the unit is to install and open a remote disconnect switch. Refer to unit electrical schematic.

Before proceeding with installation, read all instructions, verify that all the parts are included and check the nameplate to be sure the voltage matches available utility power. Follow all local codes.



WARNING! Risk of electric shock. Can cause serious injury or death. Building and equipment damage may also result. Open all local and remote electric power supply disconnect switches and verify that power is off with a voltmeter before working within any electric connection enclosures. The Liebert® iCOM™ controller does not isolate power from the unit, even in the "Unit Off" mode. Some internal components require and receive power even during the "unit off" mode of the Liebert® iCOM™ controller .

Installation, service, and maintenance work must be performed only by properly trained and qualified personnel and in accordance with applicable regulations and manufacturers' specifications. Opening or removing the covers to any equipment may expose personnel to lethal voltages within the unit even when it is apparently not operating and the input wiring is disconnected from the electrical source.



WARNING! Risk of short circuits and electric shock. Can cause serious injury or death. Building and equipment damage can result from cut insulation or damaged wires. Can cause overheated wiring, smoke, fire, activation of fire suppression systems and EMS personnel. Verify that all wiring connections are tight and that all wiring is contained within the junction box prior to closing and securing the cover.

Insert CSA-certified or UL-listed bushings into holes and/or knockouts used to route wiring through metal panels to protect the wire insulation from contact with sheet metal edges.



WARNING! Risk of improper wire sizing/rating and loose electrical connections causing overheated wire and electrical connection terminals resulting in smoke or fire. Can cause serious injury or death. Building and equipment damage may also result. Use correctly sized copper wire only and verify that all electrical connections are tight before turning power On. Check all electrical connections periodically and tighten as necessary.

NOTICE

Risk of improper electrical connection of three-phase input power. Can cause backward pump rotation and unit damage. Service technicians should use a gauge set on the system during the initial start up to verify that the three-phase power is connected properly. Three-phase power must be connected to the unit line voltage terminals in the proper sequence so that the pump rotates in the proper direction. Incoming power must be properly phased to prevent pump from running backward. We recommend checking the unit’s phasing with proper instrumentation to ensure that power connections were made correctly. We also recommend verifying discharge and suction pressures during start up to ensure that the pumps are running in the correct direction.

NOTICE

Risk of improper power-supply connection. Can cause equipment damage and loss of warranty coverage.

Prior to connecting any equipment to a main or alternate power source (for example: back-up generator systems) for start-up, commissioning, testing, or normal operation, ensure that these sources are correctly adjusted to the nameplate voltage and frequency of all equipment to be connected. In general, power-source voltages should be stabilized and regulated to within ±10% of the load nameplate nominal voltage. Also, ensure that no three-phase sources are single-phased at any time.

See transformer label for primary tap connections. Installer will need to change transformer primary taps if applied unit voltage is other than pre-wired tap voltage.

NOTE: Seal openings around piping and electrical connection to prevent air leakage. Failure to do so could reduce the unit’s cooling performance.

The electrical connections are described in the figures in the following procedures, and in the submittal documents included in the [Submittal Drawings](#) on page 91 .

The following table lists the relevant submittal documents by number and title.

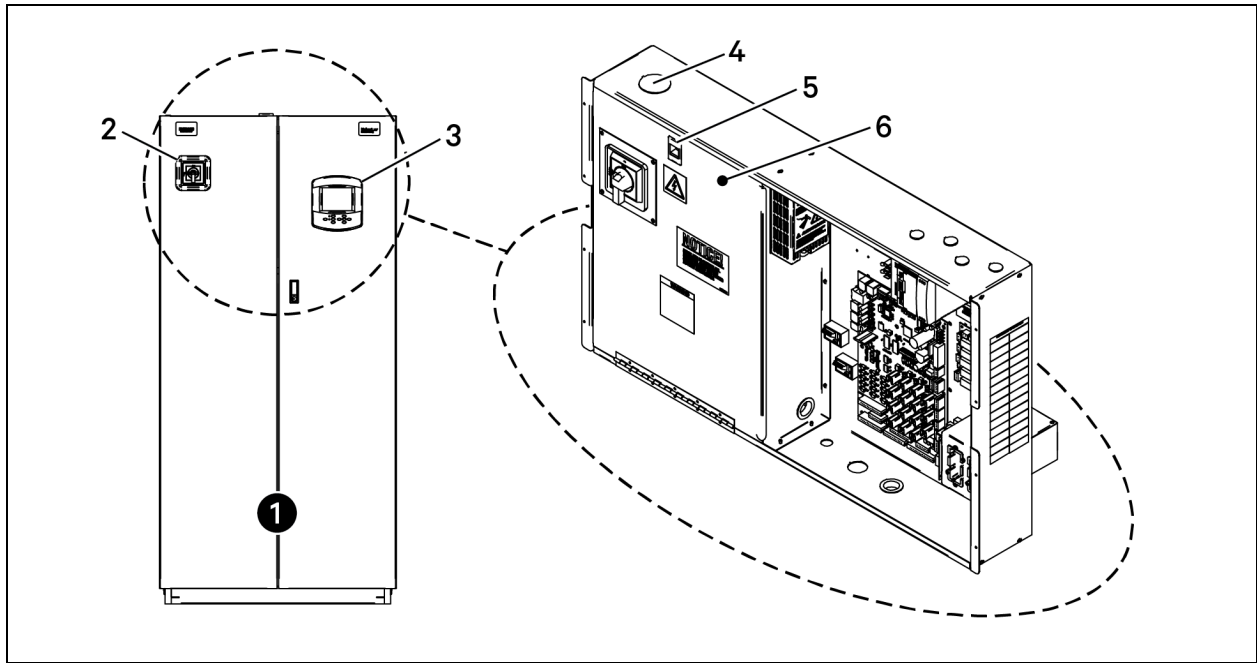
Table 5.1 Electrical Field Connection Drawings

Document Number	Title
DPN002400	Electrical Connections and Electrical Connections Low Voltage

5.1 Connecting High Voltage Cables

1. Turn the Vertiv™ Liebert® DCP with Vertiv™ Liebert® iCOM™ Control disconnect switch to the Off position, then open the front doors and push down on the enclosure cover latch to open the hazardous voltage enclosure cover, see **Figure 5.1** on the facing page .
2. Determine the knockouts to use in the electrical enclosure and remove them, see **Figure 5.1** on the facing page .

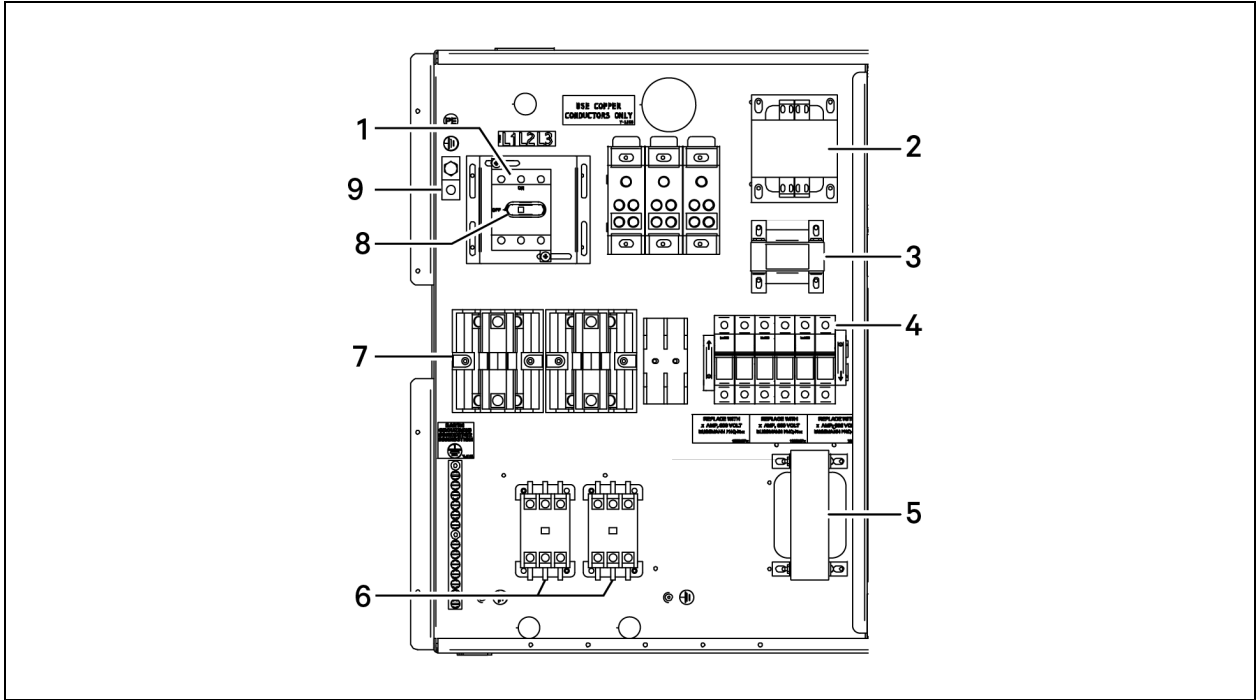
Figure 5.1 Electrical Enclosure Location and Wiring Knockout



Item	Description
1	Front of Liebert® DCP
2	Disconnect switch
3	Liebert® iCOM™ controller
4	Knockout
5	Enclosure cover latch
6	Hazardous voltage enclosure cover

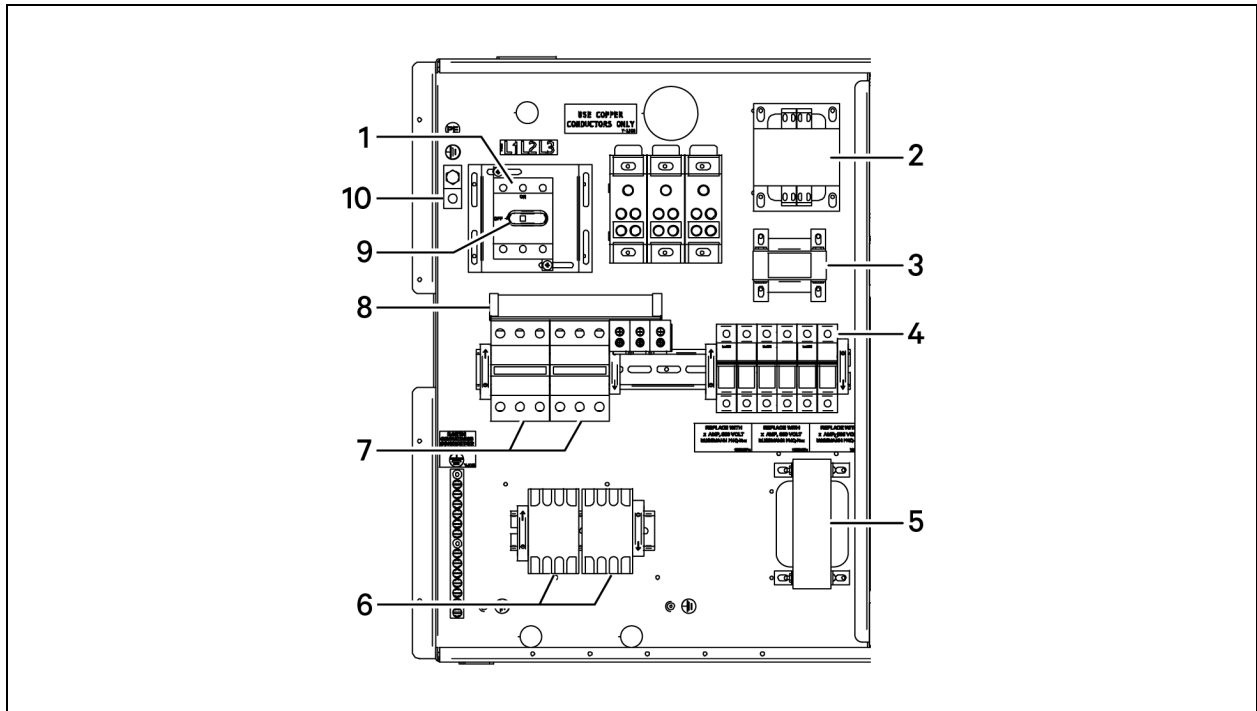
3. Referring to **Figure 5.2** on the next page and **Figure 5.3** on page 39, route the input hazardous voltage electrical power wiring through the top left knockout to the disconnect switch L1, L2, and L3. Observe proper phasing.
4. Connect the ground wire to the ground lug in the middle-left of the enclosure.

Figure 5.2 High Voltage Connections—60 Hz



Item	Description
1	Customer power connection
2	Transformer 2 (only on 460-V units)
3	Transformer 6
4	Fuse blocks
5	Transformer 1
6	Pump contactors
7	Pump fuse blocks
8	Disconnect switch
9	Ground lug

Figure 5.3 High Voltage Connections—50 Hz

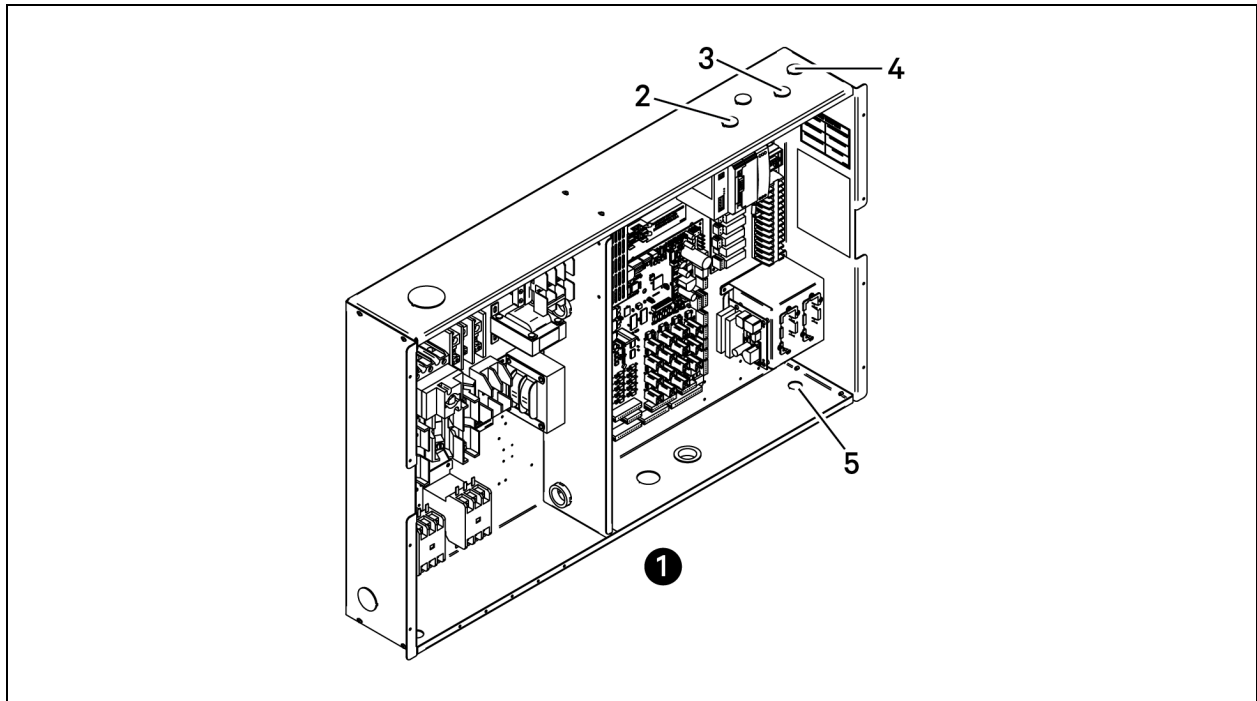


Item	Description
1	Input power connection
2	Transformer 2
3	Transformer 6
4	Fuse blocks
5	Transformer 1
6	Pump contactors
7	Pump circuit breakers
8	Busbar
9	Disconnect switch
10	Ground lug

5.2 Extra Low Voltage (ELV) Connections

Extra low voltage power output is 30 V and 100 VA or less.

1. Turn off all unit power before connecting cables or wires. Failure to do so may damage this equipment.
2. Route low voltage electrical connections through the appropriate knockouts as indicated in **Figure 5.4** on the next page .

Figure 5.4 Electrical Enclosure Knockout Locations for ELV

Item	Description
1	Enclosure cover not shown.
2	Temperature/Humidity sensor wiring
3	User interface wiring
4	XD module condensate connection (depends on XD model features, not applicable to Liebert® DCD)
5	Alternate temperature/humidity sensor wiring knockout

5.2.1 Connecting Remote Temperature/Humidity Sensors

Before connecting the sensors, see [Proper Placement of the Remote Sensors](#) on page 43 , to place the sensors for effective operation.

1. Unpack the two remote temperature/humidity sensors and cables.
One sensor is labeled Sensor A and the other Sensor B. The sensor cables are interchangeable. Each bears labels indicating Sensor End and Unit End.
2. Connect the Sensor End of one of the supplied sensor cables to P66 on Sensor A, see **Figure 5.5** on the next page .
3. Connect the Unit End of the sensor cable to P67 on the Vertiv™ Liebert® iCOM™ input/output board inside the Vertiv™ Liebert® DCP with Liebert® iCOM™ Control.
4. Secure the ring terminal on the cable shield to the electric box adjacent to P67, see **Figure 5.5** on the next page .
5. Connect the Sensor End of the second sensor cable to P66 on Sensor B, see **Figure 5.5** on the next page .
6. Connect the Unit End of the cable to P67 on the Liebert® iCOM™ display, see **Figure 5.5** on the next page .
Secure the ring terminal on the cable shield to the grounding screw adjacent to P67.

Figure 5.5 Remote Temperature/Humidity Sensor Connections

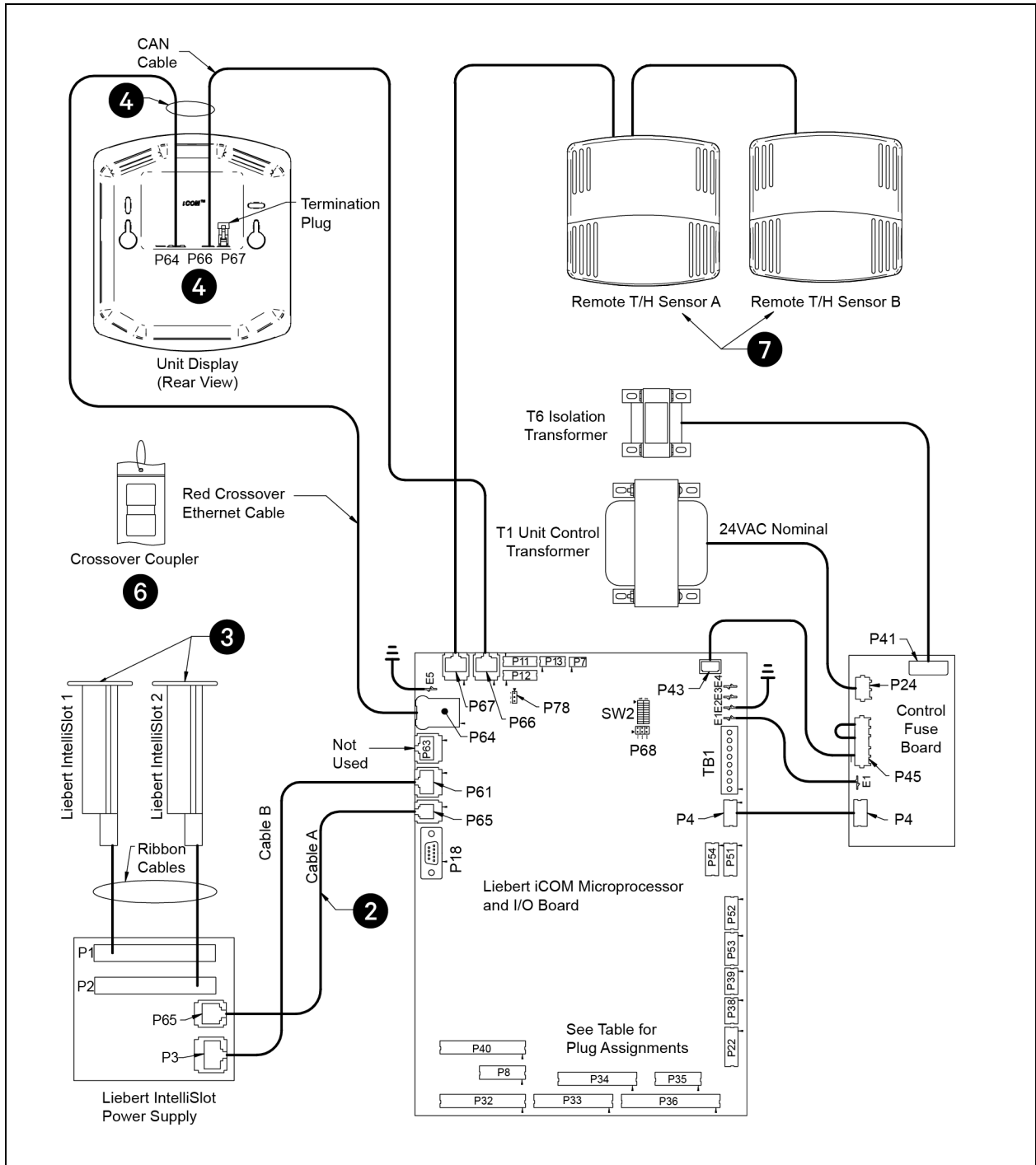


Table 5.2 Notes:

Number	Note
1	See unit electrical schematic and submittal drawings.
2	Cable "A" provided with each unit. <ul style="list-style-type: none"> • Liebert® IntelliSlot-based communication: cable "A" is pre-connected to P65 on microprocessor and I/O board. • Non-IntelliSlot-based communication: cable "A" is pre-connected to P65 on IntelliSlot power supply.
3	Install applicable Liebert® IntelliSlot cards.
4	Both cables (P64 and P66) are required.
6	A cross-over coupler is provided for unit-to-unit (U2U) networking. Unplug the red cable from P64 on the microprocessor and I/O board. The second customer connection point is to the other side of the crossover coupler, which connects the board and display to the private U2U network.
7	The remote sensors are interchangeable, either can connect to the cooling module or to P2 on the CAN ISO.

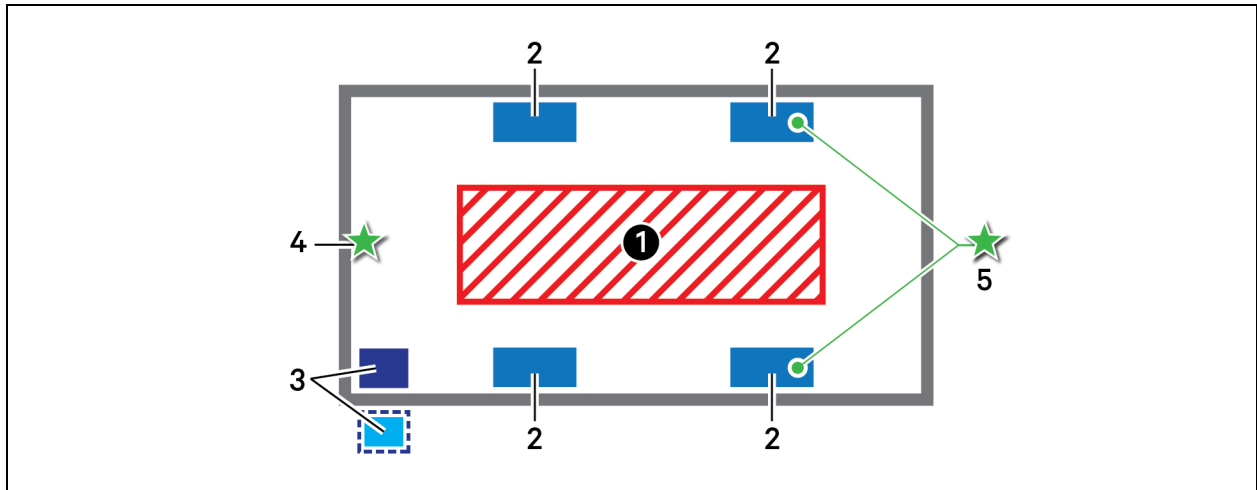
5.2.2 Proper Placement of the Remote Sensors

Placement of the two remote temperature/humidity sensors is critical to effective cooling of the conditioned space.

The remote sensors must be installed in areas where conditions are representative of the space conditioned by the Vertiv™ Liebert® DCP with Vertiv™ Liebert® iCOM™ Control. We recommend installing the sensors in different areas near the cooling modules served by the Liebert® DCP with Liebert® iCOM™ Control . If the return-air side of the primary air mover, such as a Vertiv™ Liebert® DS, represents the conditions where the cooling modules are located, one sensor could be placed there. We suggest placing the other sensor on the wall opposite the heat load area, see **Figure 5.6** on the next page .

NOTE: Do not install the sensors where ambient air might cause false readings, for example, near unsealed doors or windows, or areas with stagnant air.

Figure 5.6 Suggested Remote Sensor Placement

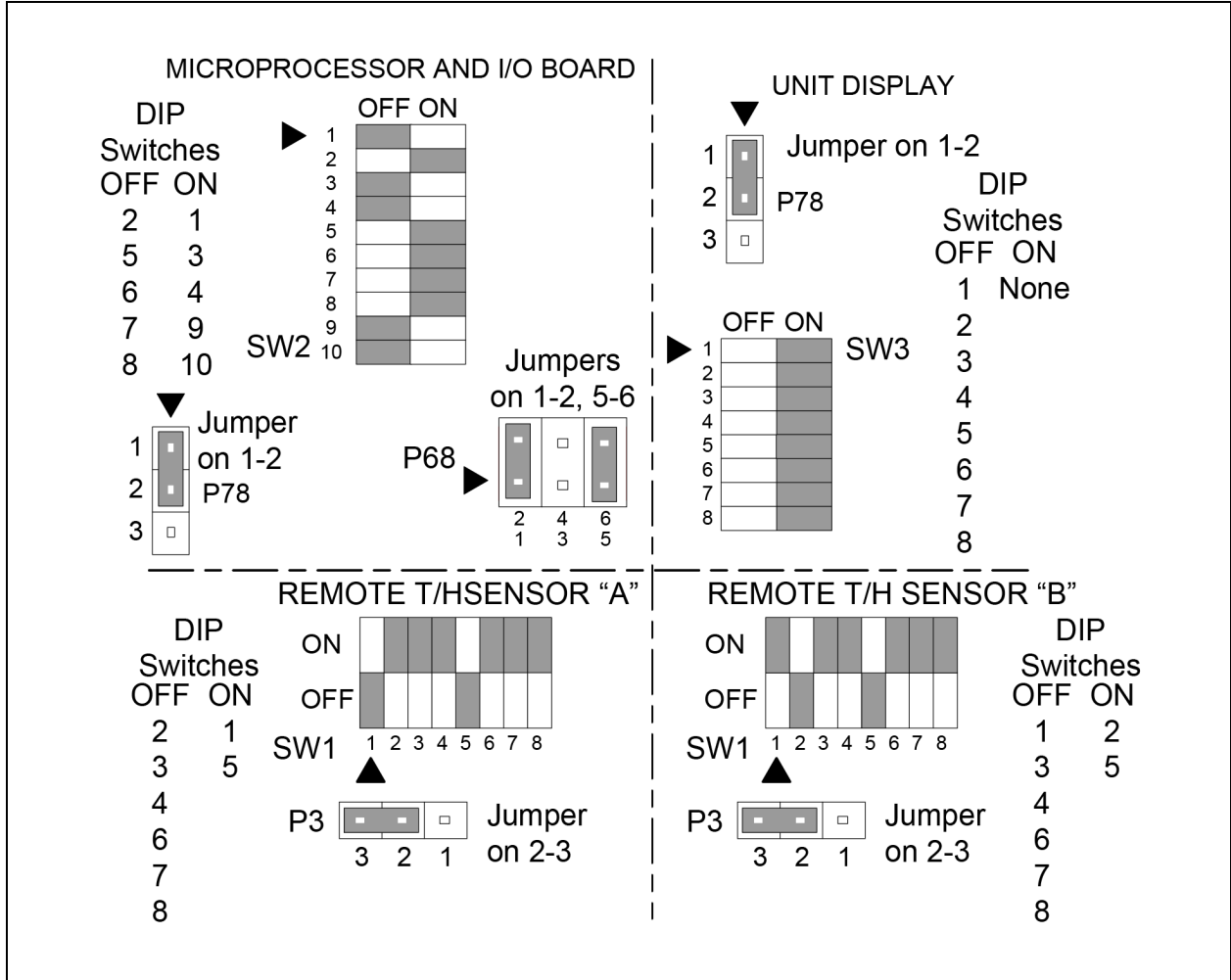


Item	Description
1	Heat-load area
2	Liebert unit
3	Sensor A or Sensor B location
4	Place remaining sensor in the air return of any Liebert unit on the opposite side of the room.

5.2.3 DIP Switch and Jumper Settings for Remote Sensors

The Vertiv™ Liebert® DCP ships with jumpers and DIP switch settings for normal operation. See **Figure 5.7** below .

Figure 5.7 DIP Switch and Jumper Settings



5.2.4 Unit-to-Unit (U2U) Network Connections

Figure 5.8 on the next page , shows you how to connect the Vertiv™ Liebert® iCOM™ controller to other Liebert® iCOM™ controlled Thermal Management units.

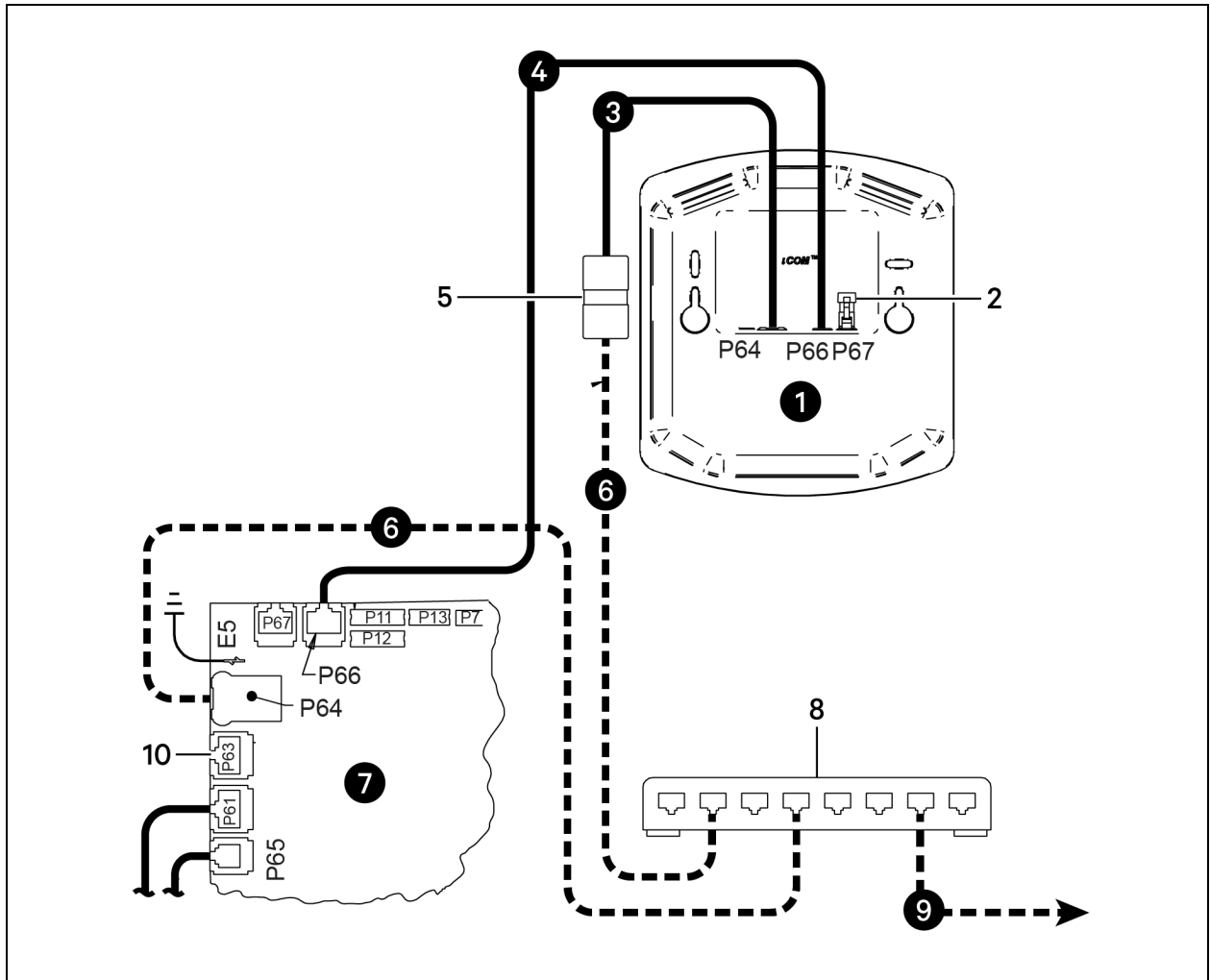
NOTE: Both cables, P64 and P66, are required.

A crossover coupler is provided for U2U networking. For U2U networking, P64 on both the Liebert® iCOM™ control board and on the iCOM display are connected to a networking switch.

To install the crossover coupler:

1. Unplug the red cable from P64 on the Liebert® iCOM™ control board, and connect it to the coupler.
2. Connect a field-supplied, straight-through Ethernet cable to the coupler and to the field-supplied Ethernet switch.

Figure 5.8 Unit-to-Unit Networking Connections



Item	Description
1	Unit display, rear view
2	Termination plug
3	Red, crossover Ethernet cable
4	CAN cable
5	Crossover coupler
6	Straight-through cables (customer connection points)
7	Liebert® iCOM™ microprocessor and I/O board
8	Field-supplied networking switch
9	To/From other networked units

5.3 Optional Field Connections for All Units

Connect optional field wiring from remote devices to remote alarm device, common alarm outputs, site monitor and remote shutdown, if applicable. See terminal strip descriptions on the appropriate electrical connections drawing included in the [Submittal Drawings](#) on page 91.

6 Checklist for Completed Installation

1. Unpack and check received material including ship-loose, field-installed strainer kit.
2. Position the Vertiv™ Liebert® DCP with Vertiv™ Liebert® iCOM™ Control and secure to the floor.
3. Wire high voltage connections.
4. Wire low voltage connections.
5. Connect building chilled-water piping to the Liebert® DCP with Liebert® iCOM™ Control .
6. Connect Vertiv™ Liebert® DCD piping to the Liebert™ DCP with Liebert® iCOM™ Control .
7. Make sure air vents are installed at high point of the system.
8. Make sure isolation valves are installed on the mains and branch piping.
9. Pressure test air.
10. Fill the system with water.
11. Bleed air out of the system.
12. Pressure test fluid.
13. Check for water leaks.
14. Ship-loose strainer is installed in secondary (Liebert™ DCD) return line to the Liebert™ DCP with Liebert® iCOM™ Control.

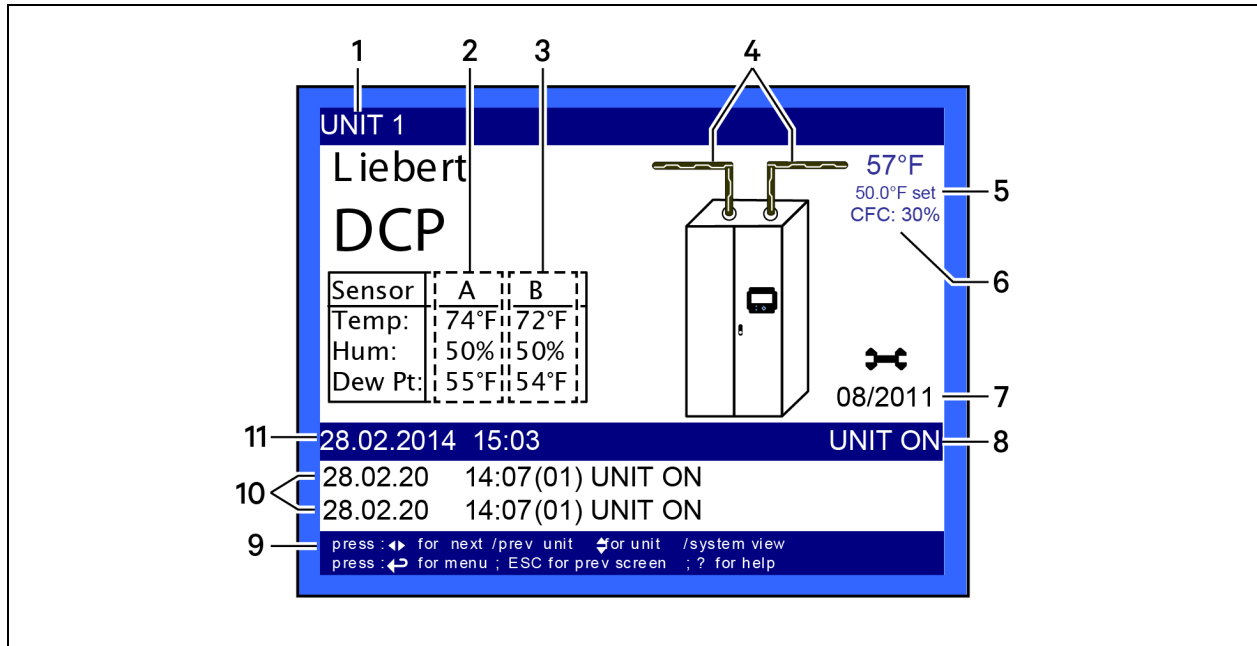
This page intentionally left blank

7 Getting Started with Vertiv™ Liebert® iCOM™ Control

The Liebert® iCOM™ controller uses firmware version XP1.00.DCP.01R.

The Liebert® iCOM™ offers unit control, communication, and monitoring of Liebert modules.

Figure 7.1 Liebert® iCOM™ Default Home Screen



Item	Description
1	Unit name
2	Sensor A room data
3	Sensor B room data
4	Pump operation represented by animated piping
5	Coolant temperature
6	Available only with XD Smart Modules
7	Next scheduled maintenance
8	Unit status
9	Navigation prompts
10	Alarm/Event history
11	Date and Time

7.1 Navigating the Vertiv™ Liebert® iCOM™ Display

Figure 7.2 Liebert® iCOM™ Display Components

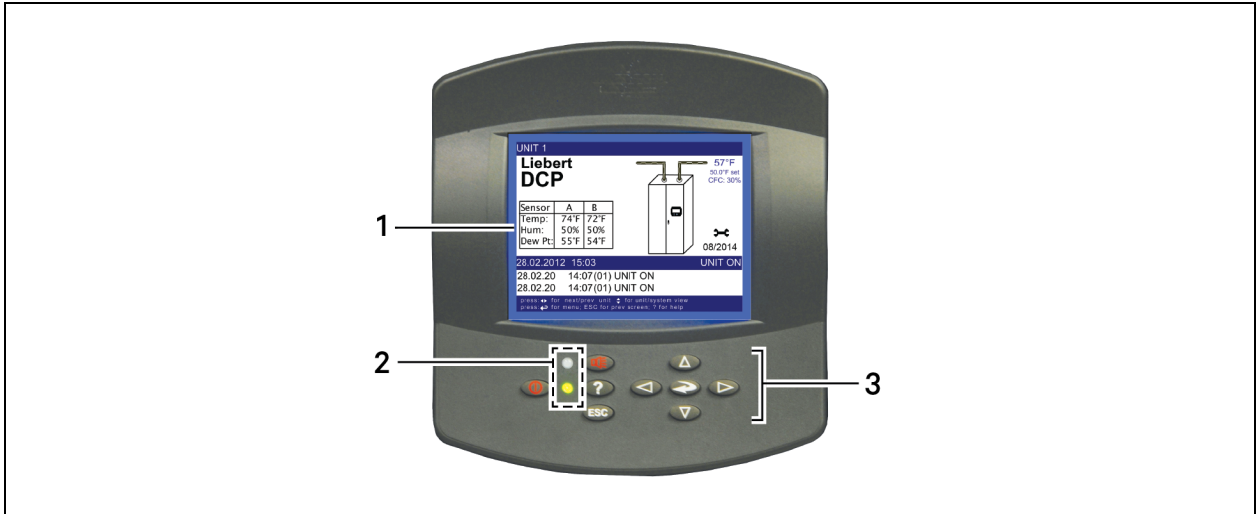


Table 7.1 Display Components and Keypad Functions

Item	Keys	Function	
1		LCD Display	
2		LED indicators, see Table 7.2 on the facing page, for status description.	
3		On/Off	Controls the operational state of the cooling unit.
		Alarm	Silences an alarm.
		Help	Accesses integrated Help menus.
		ESCape	Returns to the previous display view.
		Enter	Confirms all selections and selects icons or text.
		Increase (Up Arrow)	Moves upward in a menu or increases the value of a selected parameter.
		Decrease (Down Arrow)	Moves downward in a menu or reduces the value of a selected parameter.
		Left Arrow	Navigates through text and sections of the display.
	Right Arrow	Navigates through text and sections of the display.	

Table 7.2 LED Indicators

LED	Color	Action	Status Indicated
Upper	Red	Blinking	Active, unacknowledged alarm exists.
	Red	Solid	Active, acknowledged alarm exists.
Lower	Amber	Solid	Power is available to the unit. Unit is NOT operating (shut-down by I/O switch or by an alarm condition)
	Green	Solid	Unit is operating with no alarms.

7.1.1 Entering a Password

To adjust configuration and setpoints, a password is required. Vertiv™ Liebert® iCOM™ is factory set with default passwords to access settings on the User and Service menus:

NOTE: We recommend that you change the passwords as necessary to prevent unauthorized changes.

- Default User password = 1490
- Default Service password = 5010

If a password is required, the PASSWORD line appears at the top of the listed options.

To enter a password:

1. Open the menu, highlight the icon for the sub-menu with the setting or setpoint to change, and press **Enter** to highlight the Password line.
2. With the Password line highlighted:
 - Press **Enter** to highlight the first digit in the password, and use the **Up/Down** arrow keys to select first digit.
 - Use the **Right** arrow key to move to the next digit, and select the second digit.
 - When all four digits are selected, press **Enter**.
3. Use the **Up/Down** arrow keys to scroll to the settings to adjust.

NOTE: If you exit the screen and return to it, you must re-enter the password to adjust settings.

7.1.2 Viewing Data and Settings on the User Menu

NOTE: No password is required to view data or settings.

1. From the home screen on the Vertiv™ Liebert® iCOM™ display, press the **Enter** key. The User menu displays. See **Table 7.3** on the next page .
2. Press **Enter** again to highlight the first icon.
3. Use the arrow keys to highlight the icon you want, and press **Enter**.
 - If a password is required, see [Entering a Password](#) above .
 - If a menu has more than one screen, text at the top indicates "page x of x."
4. Press **Enter** to select the first line of data.
5. Use the **Up** and **Down** arrow keys to scroll through the data lines.
6. Press **ESC** to return to the previous menu/screen.

Table 7.3 User Menu Icon Options

Icon	Description
	Setpoints. View and adjust operating setpoints. See User-level Setpoints on page 56 .
	Spare Parts List. Contains spare parts available on site. See Spare Parts on page 56 .
	Event Log (view-only). Lists last 400 events and alarms. See Event Log on page 56 .
	Graphic Data Record (view-only, scale is adjustable). Displays the average temperature from Sensors A and B, the average dew point from Sensors A and B, the supply-coolant temperature and the supply-coolant control point graphs. See Graphic Data Record on page 56 .
	View Network (view-only). Shows the status of all connected units.
	Set Alarms. Adjusts alarm settings. See User-level Alarm Options on page 56 .
	Sensor Data (view-only). Displays sensor readings. See Sensor Data on page 58 .
	Active Alarms (view-only). Lists current alarms.
	Display Set-up. Adjusts display settings, including language and time. See Display Set-up on page 57 .
	Total Run Hours (view-only). Records the run time of all components. Allows you to set run-time limits. See Total Run Hours on page 59 .
	Smart Modules (view-only, Liebert® XDP-only). Displays readings from connected smart modules.
	Service Contacts (view-only). Lists contact information for service.

7.1.3 Viewing a Summary of Connected Cooling Modules

NOTE: This view is only available for connected Vertiv™ Liebert® XDP units.

Vertiv™ Liebert® iCOM™ displays an overview of connected cooling modules.

NOTE: The Liebert® iCOM™ controller offers an option to display a system view, but the Vertiv™ Liebert® DCP with Liebert® iCOM™ Control does not support a system view only connected Liebert® XDP units.


To display a summary of connected cooling modules:

1. From the home screen on the Liebert® iCOM™ display, press the down-arrow key.
A summary of the outlet temperature and capacity levels of the first 10 connected modules displays.
2. Press the down arrow again to display the overview for the next 10 connected modules.
 - Press ESC to return to the home screen.

7.1.4 Adjusting Vertiv™ Liebert® iCOM™ Display Settings

See [Display Set-up](#) on page 57 , for descriptions of the setting options.

To change the display settings:

1. From the home screen, press **Enter** to open the User Menu, then press **Enter** again to highlight the first icon.
2. Use the arrow keys to highlight the Display Setup icon, , and press **Enter**.
The menu displays with the first setting highlighted.

NOTE: A password is not required to adjust the display settings.

3. Use the **Up/Down** arrow keys to highlight the setting to change, and press **Enter** to access the setting options.
4. Use the **Up/Down** arrow keys to adjust the setting, and press **Enter** to accept the changes.
5. Press **ESC** twice to return to the User menu.

7.1.5 Adjusting Vertiv™ Liebert® DCP Operation and Setpoints

From the User menu, you can adjust setpoints, alarm settings, set run-time limits, and adjust the scales of graphical data. All other data is view-only, see [Table 7.3](#) on the previous page , for an overview of menu options. From the Service menu, you can access and adjust unit configuration and operational setpoints, see [Table 7.4](#) on page 60 , for an overview of menu options.

1. From the home screen, press **Enter** to open the User Menu. If needed, use the **Left/Right** arrow keys to open the Service menu.
2. Press **Enter** to highlight the first icon on the menu.
3. Use the arrow keys to highlight the icon for the menu with the settings to adjust, and press **Enter**.
The menu displays with the first setting highlighted.

NOTE: If a password is required, if it is the first menu item listed. See [Entering a Password](#) on page 53 .

4. Use the **Up/Down** arrow keys to highlight the setting to change, and press **Enter** to access the setting options.
5. Use the **Up/Down** arrow keys to adjust the setting, and press **Enter** to accept the changes.
The value is no longer highlighted when accepted.
6. Press **ESC** to deselect the setting.
The setting is no longer highlighted when deselected.
7. Press **ESC** again to return to the previous screen/menu.

7.2 User Menu Options

User menus report general cooling unit operations and status. The user menus employ coding that begins with “U” followed by parameters and information. Some User screens require a password, see [Entering a Password](#) on page 53 .

7.2.1 User-level Setpoints

Min Room Temperature Setpoint

Sets the minimum room temperature the unit attempts to maintain. If the temperature falls below this point, the unit raises the coolant temperature to reduce the amount of cooling.

The setting is intended to keep the room temperature above the setpoint. Without a proper setpoint, the Vertiv™ Liebert® DCP with Vertiv™ Liebert® iCOM™ Control can lower the room temperature too much, depending on the room dew point and load. This setpoint reduces the cooling to keep the room temperature above the selected temperature.

NOTE: This is not a true room-temperature setpoint. The Liebert® DCP with Liebert® iCOM™ Control has no heaters. It tries to cool as much as possible, and if it is able to cool the room to this setpoint, the Liebert® DCP with Liebert® iCOM™ reduces cooling action to try to keep the room temperature at or above the setpoint.

The default setting is 60°F (15.6°C). The range is 50-80°F (10-27°C).

For optimal cooling performance, the minimum temperature setpoint should be 1° to 2° below the expected temperature at the remote sensors, which may affect placement of the remote sensors. If the minimum temperature setpoint is set above the typical remote temperature sensor reading. It will reduce the Liebert® DCP with Liebert® iCOM™ Control cooling output and, in extreme cases, cause erratic Liebert® DCP with Liebert® iCOM™ Control performance.

7.2.2 Spare Parts

The spare parts list contains a detailed description and part number to order parts for the unit. The part numbers are specific to each model and option installed on the unit.

7.2.3 Event Log

The event log displays all events and actions generated by the unit. When multiple units are networked, the event log of the whole system displays. Each event shows the unit that generated the alarm, time and date stamp, a description, and the event type.

7.2.4 Graphic Data Record

The Graphic Data Record charts the average temperature from Sensors A and B and the supply coolant temperature.

The temperature scales can be changed to expand or compress the data. The time scale can be altered to any of several selectable values.

NOTE: Changing the time scale erases all previous graphical data and the unit begins recording new data.

7.2.5 User-level Alarm Options

User Set Alarm options

High Room Air Temperature

Sets the threshold where a high room temperature alarm will occur, based on the actual reading from either remote Sensor A or B. The range for the high room air temperature alarm is 33.8-95°F (1-35°C); the default is 80.0°F (26.7°C).

Low Room Air Temperature

Sets the threshold where a low room temperature alarm will occur, based on the actual reading from either remote Sensor A or B. The range for the high room air temperature alarm is from 33.8 to 95°F (1 to 35°C); the default is 55.0°F (12.8°C).

High Room Dew Point

Sets the threshold where a high room dew point alarm will occur, based on the calculated values from either remote Sensor A or remote Sensor B. The range for the high room dew point alarm is from 33.8 to 95°F (1 to 35°C); the default is 65°F (18.3°C).

High Coolant Temperature

Sets the threshold where a high coolant temperature alarm will occur based on the actual reading from the supply coolant sensor. The supply coolant temperature is from the Vertiv™ Liebert™ DCP with Vertiv™ Liebert® iCOM™ Control to the modules. The range for the high supply coolant temperature alarm is from 33.8 to 95°F (1 to 35°C); the default is 80°F (26.7°C).

High Chilled Water Temperature

Sets the threshold chilled water temperature for a supply high chilled water temperature alarm. The range for the high supply fluid temperature alarm is from 33.8 to 95°F (1 to 35°C); the default is 60°F (15.6°C).

7.2.6 Display Set-up**Display set-up options**

Language

Sets the language on the display. Changing this setting changes all menu parameters to the selected language.

Date

Sets the internal date of the unit. If this unit is connected to other units with the unit-to-unit network connection, each unit will reflect the last date set.

Time

Sets the internal time of the unit. If this unit is connected to other units with the unit-to-unit network connection each unit will reflect the last time set.

Temperature Indication

Selects the actual and setpoint temperature scale. Selecting C will set the unit to display in Celsius and F will set the unit to display in Fahrenheit.

Display Contrast

Changes the contrast of the display to adjust for different viewing angles, low light and bright light conditions. As the display ages, the contrast may require adjustment for viewing.

Buzzer Frequency

Changes the audible noise frequency of the built-in buzzer. The buzzer will sound when its frequency is being adjusted, easing selection of a frequency easily detected when an alarm occurs.

Backlite Off After

Controls how long the back-light remains active when the display is unused. When the buttons on the front display have not been pressed for the time selected in this parameter, the back-light will turn Off, extending the life of the display and saving energy.

Screen

Controls the screen layout. The Vertiv™ Liebert® DCP with Vertiv™ Liebert® iCOM™ Control has one view, Unit View.

Display Colors

Selects the background color. Inverted sets the display to show white font with blue background and Normal sets a white background with blue font.

Date Format

Date format changes the month, day, and year arrangement shown on the front display and on event time stamps.

7.2.7 Sensor Data**Sensor-data options**

Sensor A Temperature

Displays the temperature of the remote CAN Temp Humidity sensor designated as Sensor A.

Sensor A Humidity

Displays the humidity of the remote CAN Temp Humidity sensor designated as Sensor A.

Sensor A Dew Point

Displays the dew point of the remote CAN Temp Humidity sensor designated as Sensor A.

Sensor B Temperature

Displays the temperature of the remote CAN Temp Humidity sensor designated as Sensor B.

Sensor B Humidity

Displays the humidity of the remote CAN Temp Humidity sensor designated as Sensor B.

Sensor B Dew Point

Displays the dew point of the remote CAN Temp Humidity sensor designated as Sensor B.

Supply Coolant Temperature

Displays the actual supply coolant temperature from the Vertiv™ Liebert® DCP with Vertiv™ Liebert® iCOM™ Control to the modules.

Supply Chilled Water Temperature

Displays the actual the Supply Chilled Water temperature to the Liebert® DCP with Liebert® iCOM™ Control .

Daily High Temperature

Shows the highest temperature in a rolling 24 hour period for either remote Sensor A or remote Sensor B.

Daily Low Temperature

Shows the lowest temperature in a rolling 24 hour period for either remote Sensor A or remote Sensor B.

Daily High Humidity

Shows the highest humidity in a rolling 24 hour period for either remote Sensor A or remote Sensor B.

Daily Low Humidity

Shows the lowest humidity in a rolling 24 period for either remote Sensor A or remote Sensor B.

Daily High Dew Point

Shows the highest dew point in a rolling 24 hour period for either remote Sensor A or remote Sensor B.

Daily Low Dew Point

Shows the lowest dew point in a 24 hour period for either remote Sensor A or remote Sensor B.

Daily High Coolant Temperature

Shows the highest supply coolant temperature in a rolling 24 hour period from the Vertiv™ Liebert® DCP with Vertiv™ Liebert® iCOM™ Control to the modules.

Daily Low Coolant Temperature

Shows the lowest supply coolant temperature in a rolling 24 hour period from the Liebert™ DCP with Liebert® iCOM™ Control to the modules.

Daily High Chilled Water Temperature

Shows the highest chilled water supply temperature being delivered to the Liebert® DCP with Liebert® iCOM™ Control in a rolling 24 hour period.

Daily Low Chilled Water Temperature

Shows the lowest chilled water return temperature being delivered to the Liebert™ DCP with Liebert® iCOM™ Control in a rolling 24 hour period.

7.2.8 Total Run Hours

The parameter shows the actual hours for the listed components of a unit (for example, the pumps) have operated. If limits are set, the number of hours that the component can operate before the next maintenance.

7.3 Accessing Service Options

From the Service menu, you can access and adjust unit configuration and operational setpoints. **Table 7.4** on the next page, provides an overview of service menu options.

1. From the home screen, press **Enter**, then use the **Left/Right** arrow keys to open the Service menu.
2. Press **Enter** to highlight the first icon on the menu.
3. Use the arrow keys to highlight the icon for the menu with the settings to adjust, and press **Enter**. The menu displays with the first setting highlighted.

Table 7.4 Service Menu Icon Options

Icon	Description
	Setpoints. View and change operational setpoints. See Service-level Setpoints on the facing page .
	Unit Diary. Shows all program changes and performed maintenance.
	Maintenance/Wellness Settings. Shows all maintenance records, calculates next maintenance date. See Maintenance/Wellness Settings on page 62 .
	Diagnostics/Service Mode. Enter Diagnostics/Service Mode for troubleshooting and repair. See Diagnostics/Service Mode on page 63 .
	Set Alarms. Change settings for alarms. See Service-level Alarm Options on page 65 .
	Sensor Calibration/Set-up. Set up and calibrate site sensors. See Sensor Calibration and Set-up on page 69 .
	Network. Set up or change network settings. See Network Settings on page 70 .
	Options Set-up. Settings for various options. See Option Set-up on page 73 .
	Smart Module (Liebert XDP only). Setup of alarms and events. Set temperature limits for supply and return sensors. Label smart modules, view firmware version. See Smart Module Settings on page 75 .
	Service Contacts (view-only). Lists contact information for service.

7.4 Service Menu Options

Service menu options customize settings for site operations. The service screens employ a coding that begins with “S” followed by parameters and information.

NOTE: Most options require the service-level password. If a password is required, if it is the first menu item listed. See [Entering a Password](#) on page 53 .

NOTE: The Vertiv™ Liebert® iCOM™ firmware constantly updates. As a result, the parameters listed may be slightly different from those on your unit’s display. Visit <https://www.vertivco.com/en-us/support/> for the latest Liebert® iCOM™ User Manual.

7.4.1 Service-level Setpoints

Service setpoint options

Min Room Temperature Setpoint

Sets the minimum room temperature the unit will attempt to maintain. If the temperature falls below this point, unit will raise the coolant temperature to reduce the amount of cooling. Adjustable from 50 to 80°F (10.0 to 26.7°C), the factory default setting is 60°F (15.6°C).

NOTE: This is not a true room-temperature setpoint. The Vertiv™ Liebert® DCP with Vertiv™ Liebert® iCOM™ Control has no heaters. It tries to cool as much as possible, and if it is able to cool the room to this setpoint, the Liebert™ DCP with Liebert® iCOM™ Control reduces cooling action to try to keep the room temperature at or above the setpoint.

Temperature Control Type

Selects the type of control the system will use to activate cooling. The Liebert® iCOM™ control has three temperature control types: Proportional, PI and Intelligent. The factory default is Intelligent.

- Proportional = If Proportional Control is selected, the percent cooling requirement is determined by the difference between the air temperature sensor reading and the temperature setpoint. As the air temperature rises above the temperature setpoint, the percent cooling required increases proportionally (from 0 to 100%) over half the programmable temperature proportional band. The percent heating requirement (0 to 100%) is determined the same way when the air temperature falls below the setpoint.
- PI = If PI Control is selected, the percent cooling requirement is calculated by adding together two individual terms, proportional and integral. The proportional term is calculated in a manner similar to the previously described Proportional control. The integral term (sometimes called reset action) is calculated by measuring how much and for how long the air temperature has been above or below the setpoint. If the actual air temperature is above the setpoint, the percent requirement is slowly but continuously increased until the total is sufficient to bring the return room air back to the setpoint.
- Intelligent = If Intelligent Control is selected, the air temperature is controlled at or near the setpoint. The percent temperature adjustment required is calculated based on logic that is programmed into the control. These rules simulate the actions that would be taken by a human operator manually controlling the system.

Temperature Proportional Band

Adjusts the activation points of compressors or rate of change based on the actual sensor values deviation from setpoint. The smaller this number the faster the compressors and valve(s) will increase capacity. Too small of a number may cause the unit to short cycle the compressors or excessively reposition the valve. This parameter is adjustable from 1.8 to 54.0°F (1.0 to 30.0°C). The factory default setting is 7.0°F (3.9°C).

Temperature Integration Time

Temperature integration takes into consideration the amount of time the actual temperature has deviated from the setpoint. The larger this deviation is the longer the unit will wait before corrective action is taken to achieve the setpoint. This parameter is adjustable from 0 to 15 minutes. The factory default is 0.

Temperature Derivative Time

Monitors the rate of change and will reduce or increase the amount of corrective action based on the actual temperature increasing or decreasing toward the temperature setpoint. This parameter is adjustable from 0-900 seconds. The factory default is 0.

Dewpoint Margin

Selects the difference between the room dew point and the coolant temperature control point. This parameter is adjustable from 4.0 to 10.0°F (2.2 to 6.0°C). The factory default is 4.0°F (2.2°C).

Minimum Control Point

Sets the minimum supply coolant temperature the Vertiv™ Liebert® DCP with Vertiv™ Liebert® iCOM™ Control will maintain. This parameter is adjustable from 40 to 113°F (4.4 to 45.0°C). The factory default is 55°F (12.8°C).

Min Percent Cooling Setpoint

Selects the lowest percent call for cooling during normal operations. Whenever the unit is not in start-up mode or OFF, the percent call for cooling cannot go below this value. The parameter is adjustable from 0 to 30%. The factory default is 15%.

7.4.2 Maintenance/Wellness Settings

The following describes the parameters that appear on the screens. If a page displays only a password line, the page applies only to the Vertiv™ Liebert® XDC, and no Vertiv™ Liebert® DCP with Vertiv™ Liebert® iCOM™ Control parameters are listed.

Maintenance and Wellness options

Maintenance Frequency Per Year

Sets the number of expected maintenance visits in a one year time span.

Max Bonus

Increases the time until the next required maintenance. Service personnel should assign a bonus when a service visit finds all components working optimally.

Max Penalty

Decreases the time until the next maintenance cycle. Service personnel should assign a penalty when a service visit finds excessive wear on components.

Last Maintenance

Date set during the service call. It also indicates to other service personnel the date of the last visit.

Service Engineer

Provides a label for the service representative to list either the company name or representative's name.

Confirm PM

Confirms that the service representative has completed the preventive maintenance and resets the next maintenance date.

Calculated Next Maintenance

Provides a date to for the next expected maintenance based on the last preventive maintenance performed (Confirm PM), component starts, run hours and the penalty or bonus set in Liebert® iCOM™ control.

Pump maintenance options

Number of Starts

Shows the number of starts for the listed pump.

Run Hours

Shows the number of run hours for the listed pump.

Average Run Time

Shows the average run time of the listed pump.

Starts per Day Best

Displays the lowest number of starts in a rolling 24 hour period for the listed pump.

Starts per Day Worst

Displays the highest number of starts in a rolling 24 hour period for the listed pump.

Number of Alarms

Displays the number of alarms that have occurred with the listed pump.

Actual Bonus

Displays the actual calculation of wellness for the listed pump. The unit will always take the value from the worst component for the next maintenance indication.

7.4.3 Diagnostics/Service Mode

The following describes the parameters that appear on the screens. If a page displays only a password line, the page applies only to the Vertiv™ Liebert® XDC, and no Vertiv™ Liebert™ DCP with Vertiv™ Liebert® iCOM™ Control parameters are listed.

Diagnostics options

Manual Mode

Places the Liebert® iCOM™ controller in manual mode. This is the initial setting necessary to activate any of the following items. When Liebert® iCOM™ is not in manual mode, each service menu item shows the current status of each parameter.

Pump 1

Starts the unit's Pump 1.

Pump 2

Starts the unit's Pump 2.

3P Start Active/Complete

Displays if the start-up routine is active, and if it is completed.

3P Actuator Input Request

Shows the percent call for cooling.

3P Actuator Position

Sets the position of the actuator 0-100% in manual mode.

3P Actuator Open

Opens the 3P actuator when set to ON in manual mode.

3P Actuator Close

Closes the 3P actuator when set to ON in manual mode

Valve Feedback

Opens the valve percent in manual mode.

Manual Mode Control Type

Not used.

Manual Deviation

Not used.

Analog Output Ramp 1

Sets the value of Analog Output 1 value as a percentage. The factory default for the Vertiv™ Liebert® DCP with Vertiv™ Liebert® iCOM™ Control is the Valve Percent Open.

Analog Output Ramp 2

Sets the value of Analog Output 2 value as a percentage. The factory default for the Liebert® DCP with Liebert® iCOM™ Control is the Call for Cooling.

Analog Output Ramp 3

Sets the value of Analog Output 3 value as a percentage. The factory default for the Liebert® DCP with Liebert® iCOM™ Control is the CW Temp.

Analog Output Ramp 4

Sets the value of Analog Output 4 value as a percentage. The factory default for the Liebert® DCP with Liebert® iCOM™ Control is the coolant temperature.

Alarm Relay

Used to activate the Liebert™ iCOM™ common-alarm relay output.

Warning Relay

Activates the Liebert® iCOM™ warning-relay output.

Status Remote Shutdown

Displays the status of the unit's remote shutdown input.

Status Fan Failure

Displays the status of the dry contact to communicate fan failure at a module. (The dry contacts are not used to communicate a fan failure alarm when using CANbus.)

Status Diff Press Switch 1

Displays the status of the differential pressure switch.

Status Customer Input 1

Displays the status of the customer input 1 alarm.

Status Condensation Detect

Displays the status of the dry contact to communicate condensate detection at a module.

Status Unit Ready

Shows unit status when a secondary device, such as a fire detection system, is employed.

7.4.4 Service-level Alarm Options

The Set Alarm Screens set the operation of an active alarm. Each event can be enabled or disabled and can be set to operate as an alarm, warning or message. The delay is the time the control waits before reporting the event.

- Alarm: Annunciates the buzzer, triggers a monitoring event, triggers the alarm relay, and flashes the red LED on the display.
- Warning: Annunciates the buzzer, triggers a monitoring event, shows the event in the event viewer/front display, and flashes the red LED on the display.
- Message: Shows the event in the event viewer and on the front display.

The following describes the parameters that appear on the screens. If a page displays only a password line, the page applies only to the Vertiv™ Liebert® XDC, and no Vertiv™ Liebert® DCP with Vertiv™ Liebert® iCOM™ Control parameters are listed.

Service Set Alarm options

High Room Air Temperature

Sets the threshold for a high room air temperature alarm. The range for the high room air temperature alarm is from 33.8 to 95°F (1 to 35°C); the default is 80°F (26.7°C).

Low Room Air Temperature

Sets the threshold for a low room air temperature alarm. The range for the low room air temperature alarm is from 33.8 to 95°F (1 to 35°C); the default is 55°F (12.8°C).

High Room Dewpoint

Sets the threshold for a return high dew point alarm. The range for the high room dew point alarm is from 33.8 to 95°F (1 to 35°C); the default is 65°F (18.3°C).

High Coolant Temperature

Sets the threshold for a high a coolant temperature alarm. The range for the high supply coolant temperature alarm is from 33.8 to 122°F (1 to 50°C); the default is 80°F (26.7°C).

High Chilled Water Temperature

Sets the threshold chilled water temperature for a supply high chilled water temperature alarm. The range for the high supply fluid temperature alarm is from 33.8 to 113°F (1 to 45°C); the default is 60°F (15.6°C).

Customer Input 1

Selects the device and operation of the customer input. Each event reflects a different alarm and possible action to the unit. Selectable options are:

- Call Service
- C-Input
- Water
- Smoke

Customer Input 1 active when

Selects whether the Customer Input 1 input is normally closed or normally open.

WARNING ACTIVATES ALARM RELAY

Sets the alarm relay (K3) to activate when a warning occurs.

Reset Disabled Alarms

Resets disabled events.

HIGH TEMP SENSOR A

Enables or disables the High Temperature Sensor A event, which occurs when the reading from Sensor A is above the user-specified alarm setpoint. Sets how the event is reported: as an alarm, a warning or a message. Specifies how long the control waits before reporting the event.

LOW TEMP SENSOR A

Enables or disables the Low Temperature Sensor A event, which occurs when the reading from Sensor A is below the user-specified alarm setpoint. Sets how the event is reported: as an alarm, a warning or a message. Specifies how long the control waits before reporting the event.

HIGH TEMP SENSOR B

Enables or disables the High Temperature Sensor B event, which occurs when the reading from Sensor B is above the user-specified alarm setpoint. Sets how the event is reported as an alarm, a warning or a message. Specifies how long the control waits before reporting the event.

LOW TEMP SENSOR B

Enables or disables the Low Temperature Sensor B event, which occurs when the reading from Sensor B is below the user-specified alarm setpoint. Sets how the event is reported: as an alarm, a warning or a message. Specifies how long the control waits before reporting the event.

HIGH DEWPOINT

Enables or disables the High Dewpoint event, which occurs when the calculated dew point at Sensor A or Sensor B is above the user-specified alarm setpoint. Sets how the event is reported: as an alarm, a warning or a message. Specifies how long the control waits before reporting the event.

SENSOR A FAILURE

Enables or disables the Sensor A Failure event, which occurs when the control no longer senses a signal from Sensor A. Sets how the event is reported: as an alarm, a warning or a message. Specifies how long the control waits before reporting the event.

SENSOR B FAILURE

Enables or disables the Sensor B Failure event, which occurs when the control no longer senses a signal from Sensor B. Sets how the event is reported: as an alarm, a warning or a message. Specifies how long the control waits before reporting the event.

HIGH CHILLED WATER TEMP

Enables or disables the High Chilled Water Temp event, which occurs when the reading from Supply Chilled Water Sensor is above the user-specified alarm setpoint. Sets how the event is reported: as an alarm, a warning or a message. Specifies how long the control waits before reporting the event.

SUPPLY CW SENSOR FAILURE

Enables or disables the Supply CW Sensor Failure event, which occurs when the control no longer senses a signal from Supply CW Sensor. Sets how the event is reported: as an alarm, a warning or a message. Specifies how long the control waits before reporting the event.

HIGH COOLANT TEMP

Enables or disables the High Coolant Temp event, which occurs when the reading from supply coolant temperature sensor is above the user-specified alarm setpoint. Sets how the event is reported: as an alarm, a warning or a message. Specifies how long the control waits before reporting the event.

LOW COOLANT TEMP

Enables or disables the Low Coolant Temp event, which occurs when the reading from supply coolant temperature sensor is below the user-specified alarm setpoint. Sets how the event is reported: as an alarm, a warning or a message. Specifies how long the control waits before reporting the event.

SUPPLY COOLANT SENSOR

Enables or disables the Supply Coolant Sensor event, which occurs when the control no longer senses a signal from the Supply Coolant Sensor. Sets how the event is reported: as an alarm, a warning or a message. Specifies how long the control waits before reporting the event.

LOSS OF FLOW PUMP 1

Enables or disables the Loss of Flow Pump 1 event, which occurs when Pump 1 is commanded to run and the differential-pressure switch does not sense differential pressure. Sets how the event is reported: as an alarm, a warning or a message. Specifies how long the control waits before reporting the event.

LOSS OF FLOW PUMP 2

Enables or disables the Loss of Flow Pump 2 event, which occurs when Pump 2 is commanded to run and the differential-pressure switch does not sense differential pressure. Sets how the event is reported: as an alarm, a warning or a message. Specifies how long the control waits before reporting the event.

PUMP SHORT CYCLE

Enables or disables the Pump Short Cycle event, which occurs when flow is not established by either pump for 30 minutes. Sets how the event is reported: as an alarm, a warning or a message. Specifies how long the control waits before reporting the event.

CONTROL VALVE FAILURE

Enables or disables the Control Valve Failure event, which occurs when the chilled water control valve has been commanded by the control to open or close and no change is detected by the valve position signal. Sets how the event is reported: as an alarm, a warning or a message. Specifies how long the control waits before reporting the event.

CONDENSATION DETECTED

Enables or disables the Condensation Detected event, which occurs when water is detected at a cooling module. Sets how the event is reported: as an alarm, a warning or a message. Specifies how long the control waits before reporting the event (not currently used).

FAN FAILURE

Enables or disables the Fan Failure event, which occurs when a fan failure occurs at a cooling module. Sets how the event is reported: as an alarm, a warning or a message. Specifies how long the control waits before reporting the event (not currently used).

CUSTOMER INPUT 1

Enables or disables the Customer Input 1 event, which occurs when 24VAC is applied to the input. Sets how the event is reported: as an alarm, a warning or a message. Specifies how long the control waits before reporting the event.

SMOKE DETECTED

Enables or disables the Smoke Detected event, which occurs when the Customer Input 1 is configured for “Smoke Detected” and 24VAC is applied to the input. Sets how the event is reported: as an alarm, a warning or a message. Specifies how long the control waits before reporting the event.

NOTE: This is not a room smoke detector and is not intended to replace external smoke detectors.

WATER UNDER FLOOR

Enables or disables the Water Under Floor event, which occurs when the Customer Input 1 is configured for “Water Under Floor” and 24VAC is applied to the input. Sets how the event is reported: as an alarm, a warning or a message. Specifies how long the control waits before reporting the event.

UNIT X DISCONNECTED

Not currently used.

WORKING HOURS EXCEEDED

Enables or disables the Working Hrs Exceeded event, which occurs when a component has exceeded the user-specified limit. Sets how the event is reported: as an alarm, a warning or a message. Specifies how long the control waits before reporting the event.

CALL SERVICE

Enables or disables the Call Service event, which occurs when the Customer Input 1 is configured for “Call Service” and 24VAC is applied to the input. Sets how the event is reported: as an alarm, a warning or a message. Specifies how long the control waits before reporting the event.

LOSS OF POWER

Enables or disables the Loss of Power event, which occurs when the unit is On and operational and the 24VAC power to the control is lost. Sets how the event is reported: as an alarm, a warning or a message. Specifies how long the control waits before reporting the event.

7.4.5 Sensor Calibration and Set-up**Sensor-calibration options**

Temperature Sensor A

Adjusts the temperature reading from the actual remote CAN Temp Humidity sensor designated as Sensor A to compensate for any error of the sensor or to match other sensors in the room.

Calibrated Temperature Sensor A

Displays the adjusted temperature value of the remote CAN Temp Humidity sensor designated as Sensor A. This value is the actual sensor reading plus or minus the offset Temperature Sensor A.

Humidity Sensor A

Adjusts the humidity reading from the actual remote CAN Temp Humidity sensor designated as Sensor A to compensate for any error of the sensor or to match other sensors in the room.

Calibrated Humidity Sensor A

Displays the adjusted humidity value of the remote CAN Temp Humidity sensor designated as Sensor A. This value is the actual sensor reading plus or minus the offset Humidity Sensor A.

Temperature Sensor B

Adjusts the temperature reading from the actual remote CAN Temp Humidity sensor designated as Sensor B to compensate for any error of the sensor or to match other sensors in the room.

Calibrated Temperature Sensor B

Displays the adjusted temperature value of the remote CAN Temp Humidity sensor designated as Sensor B. This value is the actual sensor reading plus or minus the offset Temperature Sensor B.

Humidity Sensor B

Adjusts the humidity reading from the actual remote sensor designated as Sensor B to compensate for any error of the sensor or to match other sensors in the room.

Calibrated Humidity Sensor B

Displays the adjusted humidity value of the remote CAN Temp Humidity sensor designated as Sensor B. This value is the actual sensor reading plus or minus the offset Humidity Sensor B.

Supply Coolant Sensor

Adjusts the temperature reading from the actual supply coolant sensor to compensate for any error of the sensor.

Calibrated Supply Coolant Sensor

Displays the adjusted temperature value of the supply coolant sensor. This value is the actual sensor reading plus or minus the offset Supply Coolant Sensor.

Supply Chilled Water Sensor

Adjusts the temperature reading from the actual supply chilled water sensor to compensate for any error of the sensor.

Calibrated Chilled Water Sensor

Displays the adjusted temperature value of the supply chilled water sensor. This value is the actual sensor reading plus or minus the offset Supply Chilled Water Sensor.

Supply Coolant Sensor 0%

Allows the sensor reading to be calibrated at the lowest reading of the sensor. This calibration changes the start point of the sensor reading.

Supply Coolant Sensor 100%

Allows the sensor reading to be calibrated at the highest reading of the sensor. This calibration changes the end point of the sensor reading.

7.4.6 Network Settings

The network work settings pages are divided into system-level and unit-level settings.

System network options

Number of Connected Units

Shows the number of displays connected. This is always 1.

Configuration Safe

Saves or loads configuration settings for the display that have been modified from the factory defaults to an internal file that can be downloaded/uploaded using the Vertiv™ Liebert® iCOM™ Service Tool. Selecting Save will write the settings to the internal storage file and selecting Load will write the settings from the internal storage file to the application software. The internal file is updated automatically every 12 hours.

Network Safe

Saves or loads network settings for the display that have been modified from the factory defaults to an internal file that can be downloaded/uploaded using the Liebert® iCOM™ Service Tool. Selecting Save will write the settings to the internal storage file and selecting Load will write the settings from the internal storage file to the application software.

SW Version

Contains the application software version loaded onto the Liebert® iCOM™ display.

IP Address

Contains the network address of the display. This address must be unique on the network. The factory default is 192.168.254.003.

Netmask

Defines which part of the IP address is used for the network. The factory default is 255.255.255.000.

Gateway

A network point that acts as an entrance to another network. The factory default is 0.000.000.000.

MAC

A unique hardware identifier for the Ethernet device. The following parameters (U2U Protocol, U2U Address and U2U Group) are for displaying other networked Vertiv™ Liebert® DCP with Vertiv™ Liebert® iCOM™ Control units. The Liebert® DCP with Liebert® iCOM™ Control does not perform Teamwork Operations.

U2U Protocol

This is always set to GBP.

U2U Address

A unique identifier for each display on the network. Display addresses range from 33 to 64. Each display on the U2U network must have a different U2U address. Not currently used.

U2U Group

Used to create zones or groups within a U2U network. Once a group number is selected, the display will see only other devices with the same group number. The group number can be changed to view other devices in different groups. Not currently used.

Bootloader Variables

Indicates the bootloader has changed since it was last loaded. This parameter should only be activated by an authorized service person.

Monitoring Address

Sets the address used by the Vertiv™ Liebert® IntelliSlot cards. This is set to 3 at the factory and should not be changed.

Unit Name

Identifies the unit from the local or remote display. This label will show at the top right of every screen that has monitoring or configuration of that unit

Configuration Safe

Saves or loads configuration settings for the control board that have been modified from the factory defaults to an internal file that can be downloaded / uploaded using the Vertiv™ Liebert® iCOM™ Service Tool. Selecting "Save" will write the settings to the internal storage file and selecting "Load" will write the settings from the internal storage file to the application software. The internal file is updated every 12 hours automatically.

Network Safe

Saves or loads network settings for the control board that have been modified from the factory defaults to an internal file that can be downloaded / uploaded using the Liebert® iCOM™ Service Tool. Selecting “Save” will write the settings to the internal storage file and selecting “Load” will write the settings from the internal storage file to the application software.

SW Version

Contains the application software version loaded onto the Liebert® iCOM™.

Unit network options

Monitoring Protocol

Selects the monitoring protocol. Velocity V4 is the factory default which will provide communications to the Vertiv™ Liebert® IntelliSlot housing. IGMnet will activate the 77/78 terminals for communication to the Vertiv™ Liebert® SiteLink(-E). Vertiv™ Liebert® Hironet™ is only used on Vertiv™ Liebert® HPM units.

IP Address

Contains the network address of the display. This address must be unique to every other device on the network. The factory default is 192.168.254.003.

Netmask

Defines which part of the IP address is used for the network. The factory default is 255.255.255.000.

Gateway

A gateway is a network point that acts as an entrance to another network. The factory default is 0.000.000.000.

MAC

The MAC address is a unique hardware identifier of the Ethernet device.

NOTE: The following parameters (U2U Protocol, U2U Address and U2U Group) are for displaying other Vertiv™ Liebert® DCP with Vertiv™ Liebert® iCOM™ Control units that are networked. The Liebert® DCP with Liebert® iCOM™ Control does not perform Teamwork Operations.

U2U Protocol

Always set to GBP.

U2U Address

Unique identifier for each display on the network. Display addresses range from 1 to 32. Each display on the U2U network must have a different U2U address. Not currently used.

U2U Group

Creates zones or groups within a U2U network. Once a group number is selected the display will only see other devices with the same group number. The group number can be changed to view other devices in different groups. Not currently used.

Bootloader Variables

Indicates if there has been a change to the boot loader since it was last loaded. This parameter should only be activated by authorized service personnel.

Static RAM

Allows service personnel to clear and reboot the RAM of the control board. Only Vertiv service personnel should perform this function.

7.4.7 Option Set-up

Options set-up parameters

Autorestart Enabled

Restarts the unit after a power cycle when set to Yes. When this parameter is set to No, the unit will not restart after a power cycle.

Single Unit Auto Restart

Sets a time delay for the unit to restart when the Auto Restart Enabled is set to Yes. The delay begins once the boot process has completed. This parameter allows units to be staggered On to reduce the amount of simultaneous power consumption after a loss of power.

Unit Start Sequence Delay

Not currently used.

Control Delay Time

Not currently used.

Pump Start Time Delay

Sets a time delay to ensure that coolant begins flowing when the pump starts. If coolant does not begin flowing before the user-set delay expires, the pump will be turned Off.

Pump Wait Time Delay

Sets the pump wait time delay to prevent the pump from continuing to run when coolant is not flowing. If a pump is running normally and coolant flow is lost, the pump will stay On for the specified time trying to re-establish coolant flow. If coolant flow resumes during the specified interval, the pump will continue operating. If the wait time expires and coolant flow has not resumed, the pump will shut down.

Pump Off Time Delay

Sets the length of time a pump will remain off when coolant flow is interrupted or stops. After the time delay has expired, the control will try to restart the pump.

Lead Pump

Sets which pump is the active pump. It can be set to PUMP 1 or PUMP 2. The control will operate the respective pump unless a loss of flow condition occurs. On a LOSS OF FLOW condition, the control will switch to the standby pump after the LOSS OF FLOW alarm time delay has elapsed and the LOSS OF FLOW alarm has been annunciated. The default is PUMP 1.

Pump Short Cycle Delay

Sets the time to lock Off the unit if it is unable to establish coolant flow within this set amount of time.

Valve Start Open

Sets position of the valve when the unit starts.

Valve Start TD

Sets a time interval for the unit to complete start up and enter into normal operation.

3P Actuator Run time

If Valve Control is selected for "Time," then this parameter sets the travel time of the valve to determine the full open and closed position of the valve. This parameter is set at the factory, based on the valve manufacturer's specifications.

3P Actuator Direction

Sets if the valve is a "Direct" or "Reverse" acting valve.

Unit Off Valve % Open

Sets the valve position when the unit is Off.

Lead Pump Rotation

Selects the day of the week for weekly rotation or daily rotation. Default setting is "4 = Every Wed." The purpose of lead-pump rotation is to prevent bearing corrosion caused by stagnate water in the lag pump.

Rotate at

Selects the time of day at which the lead pump rotates during weekly or daily lead-pump rotation.

7.4.8 Smart Module Settings

NOTE: These settings are only available for on Vertiv™ Liebert® XDP units and are only available for connected Vertiv™ Liebert® XD smart modules.

This screen selects the operation of an active alarm for each smart module. Each event can be enabled or disabled and can be set to operate as an alarm, a warning or a message. The delay is the time the control waits before reporting the event.

- Alarm: Annunciates the buzzer, triggers a monitoring event, triggers the alarm relay, and flashes the red LED on the display.
- Warning: Annunciates the buzzer, triggers a monitoring event, shows the event in the event viewer/front display, and flashes the red LED on the display.
- Message: Shows the event in the event viewer and on the front display.

Smart Module settings options

Fan Control Type

Sets the fan control mode. Values can be OFF, ON, ON ALL, and TEMP CNTL.

Disable Local Button

Disables the push button on the front of the smart module. To disable the push button, set the parameter to YES. To re-enable the push button, set the parameter to NO.

Flash LED at Module

Flashes the LED on the smart module when set to Yes.

Set Module Label

A four-character label consisting of two letters and two numerals. This is the standard nomenclature for Data Center Grid assignment of racks. Additionally, the module's location can be denoted with 10 characters, either letters or non-alphanumeric characters from a built-in list. Either or both labels can be used and are entered using this screen.

Supply Air Temp Limit

Sets the high and low supply air temperature to from the module. An alarm will occur if the temperature falls outside the limits.

Return Air Temp Limit

Sets the high and low return air temperature to from the module. An alarm will occur if the temperature falls outside the limits.

Firmware Version

Displays the firmware version installed on the smart module.

This page intentionally left blank

8 Starting the Vertiv™ Liebert® DCP with Vertiv™ Liebert® iCOM™

8.1 Checklist for Liebert® DCP Start-up

Complete the following checklist before attempting to start the Liebert® DCP with Liebert® iCOM™ Control with the iCOM™ controller.

NOTE: Before any action that could disturb the Liebert® DCP system's cooling function, inform the facility manager. In addition, after the action is taken and the work is finished, inform the facility manager.

1. Verify that bypass flow controllers are installed (if applicable).
2. Check all isolation ball valves in the Liebert® DCP with Liebert® iCOM™ Control and cooling module and verify that all are open.
3. Check rotation of the Liebert® DCP with Liebert® iCOM™ Control pumps.
4. Verify that air is discharged into the cold aisle.
5. Confirm that the system has been properly filled with water. See [Filling the Unit](#) on page 26 .
6. Confirm that the remote temperature/humidity sensors are installed in optimal locations. See **5.2.2** on page 43 . The Liebert® DCP with Liebert® iCOM™ Control system is ready to power-on. See [Power-on the Vertiv™ Liebert® DCP with the Vertiv™ Liebert® iCOM™ Controller](#) below .

8.2 Power-on the Vertiv™ Liebert® DCP with the Vertiv™ Liebert® iCOM™ Controller

You start, stop, and control the Liebert® iCOM™ controller.

NOTE: Complete the , before starting-up the system with the controller.

1. On the Liebert™ iCOM™ display, press the on/off key, IO BUTTON, and allow the system to attempt to start for at least 2 minutes.
 - If the Liebert® DCP pump cannot maintain flow and continues to switch over due to start-up problems, see [Troubleshooting](#) on page 81 .
2. Check differential-pressure switch function:
 - Make sure that the unit is power-on. If you do not see a "Loss of Flow" alarm, there is probably system flow.
 - Test the differential-pressure switch by closing the ball valve on the suction line or discharge line to stop the flow.
A "loss of flow on P1" alarm confirms that the switch has opened on low flow.
 - If you see a "Loss of Flow" alarm, verify that this is correctly annunciated by checking for proper water charge. See [Filling the Unit](#) on page 26 .
 - If there is flow, and the "Loss of Flow" alarm is annunciated, the flow, the pressure switch could be faulty.
 - Check the differential-pressure switch, make sure the electrical connections are correct. Then, check to make sure that the unit has 24 VAC across it.

This page intentionally left blank

9 Maintenance



WARNING! Arc flash and electric shock hazard. Can cause serious injury or death. Building and equipment damage may also result. Disconnect all local and remote electric power supplies and wear appropriate, OSHA-approved personal protective equipment (PPE) per NFPA 70E before working within the electric control enclosure. Customer must provide earth ground to unit, per NEC, CEC and local codes, as applicable.

Verify with a voltmeter that power is Off. The Vertiv™ Liebert® iCOM™ controller does not isolate power from the unit, even in the “Unit Off” mode. Some internal components still require and receive power even during the “Unit Off” mode of the Liebert® iCOM™ controller. The factory-supplied, optional disconnect switch is inside the unit. The line side of this switch contains live high voltage. The only way to ensure that there is NO voltage inside the unit is to install and open a remote disconnect switch. Refer to unit electrical schematic.

Before proceeding with installation, read all instructions, verify that all the parts are included and check the nameplate to be sure the voltage matches available utility power. Follow all local codes.



WARNING! Risk of electric shock. Can cause serious injury or death. Building and equipment damage may also result. Open all local and remote electric power supply disconnect switches and verify that power is off with a voltmeter before working within any electric connection enclosures. The Liebert® iCOM™ controller does not isolate power from the unit, even in the "Unit Off" mode. Some internal components require and receive power even during the "unit off" mode of the Liebert® iCOM™ controller.

Installation, service, and maintenance work must be performed only by properly trained and qualified personnel and in accordance with applicable regulations and manufacturers' specifications. Opening or removing the covers to any equipment may expose personnel to lethal voltages within the unit even when it is apparently not operating and the input wiring is disconnected from the electrical source.



WARNING! Risk of short circuits and electric shock. Can cause serious injury or death. Building and equipment damage can result from cut insulation or damaged wires. Can cause overheated wiring, smoke, fire, activation of fire suppression systems and EMS personnel. Verify that all wiring connections are tight and that all wiring is contained within the junction box prior to closing and securing the cover.

Insert CSA-certified or UL-listed bushings into holes and/or knockouts used to route wiring through metal panels to protect the wire insulation from contact with sheet metal edges.



CAUTION: Risk of improper handling heavy and lengthy parts. Can cause injury. Building and equipment damage may also result. Cabinet panels can exceed 5 ft. (1.5 m) in length and weigh more than 35 lb (15.9 kg). Follow relevant OSHA lifting recommendations and consider using a two-person lift for safe and comfortable removal and installation of cabinet panels. Only properly trained and qualified personnel wearing appropriate, OSHA-approved PPE should attempt to remove or install cabinet panels.



CAUTION: Risk of improper piping installation, leak checking, fluid chemistry and fluid maintenance. Can cause injury. Building and equipment damage may also result. Installation and service of this equipment should be done only by qualified personnel who have been specially-trained in the installation of air-conditioning equipment and who are wearing appropriate, OSHA-approved PPE.

NOTICE

Risk of leaking chilled water lines. Can cause equipment and building damage.

Lines and joints must be inspected regularly. Improper installation, application and service practices can result in water leakage from the unit. Water leakage can result in severe property damage and loss of critical data center equipment. Do not locate unit directly above any equipment that could sustain water damage.

Vertiv recommends installing monitored leak detection equipment for the unit and supply and return lines.

The Vertiv™ Liebert® DCP with Vertiv™ Liebert® iCOM™ Control system components require little maintenance when proper fluid levels are maintained and proper start-up and operation procedures are followed. The following task should be performed at the intervals stated:

- Clean or replace chilled-water strainer annually. Adjust accordingly based on purity of chilled water.
- Check the factory-supplied and field-installed secondary side (Vertiv™ Liebert® DCD) water strainer at start-up and then annually for excessive pressure drop and clean. See instructions supplied with kit for details.
- Check sight glass level at the standpipe quarterly. See [Filling the Unit](#) on page 26 , for sight glass levels.
- Check system for leaks quarterly.

10 Troubleshooting

NOTICE

Risk of improper control circuits. Can cause equipment damage.

When using jumpers for troubleshooting, always remove jumpers when maintenance is complete. Jumpers left connected could override controls and cause equipment damage.

Table 10.1 below, lists problem symptoms, causes, and steps to take when troubleshooting the Vertiv™ Liebert® DCP with Vertiv™ Liebert® iCOM™ Control.

Table 10.1 Troubleshooting the Liebert® DCP

Symptom	Possible Cause	Check or Remedy
Pump will not energize	No main power	Check L1, L2, and L3 for rated voltage.
	Loose electrical connections	Tighten connections.
	Overloads tripped	Allow pump to cool. Check amp draw.
	Tripped circuit breaker	Check circuit breaker to pump(s).
	Incorrect phase wiring	Check wiring phase.
Pump will not start or run	No chilled water	Check and verify that there is supply chilled water to the Liebert® DCP.
	Isolation valve(s) on pump suction and/or discharge is closed.	Open all isolation valves completely during normal operation.
	Supply chilled water is too high	Check and verify that the chilled water temperature setpoint is at 50°F (10°C) or lower and that there is flow on the chilled water side.
	Low Coolant Temperature (high dew point)	Check alarm(s) history on Liebert® DCP. The Liebert® DCP was operating below the dew point for a significant amount of time. Check humidity in conditioned space, lower humidity if necessary to allow Liebert® DCP to operate at a lower temperature. (Disconnect must be switched to Off then back On to allow Liebert® DCP to reset itself).
	Differential-pressure switch not functioning	Check for defective switch or mis-wiring.
	Not enough charge	See Checklist for Liebert® DCP Start-up on page 77 .
Pump will not start	Chilled water valve not closing completely.	Wait at least 10 minutes before calibrating. Access the Advanced Menu>Factory Settings>Calibrate Actuator. Contact Liebert Services for assistance, 1-800-543-2778.
Pump noisy	Cavitation due to vapor in pump.	Check for adequate charge in system and that all air has been vented from system including air at the pump, refer to Checklist for Liebert® DCP Start-up on page 77
	Worn motor bearings	Replace pump.
	Pump is rotating in reverse.	Check wiring phase.
Liebert® DCP with Liebert® iCOM™ Control (Pump) suddenly stops	Low Coolant Temperature	Check humidity of the room along with the location of remote sensors. Make sure that the sensors are not in a cold area where there is insufficient air flow for accurate representative readings. Chilled Water temperature is too cold. Load is too light.

Table 10.1 Troubleshooting the Liebert® DCP (continued)

Symptom	Possible Cause	Check or Remedy
	Loss of power	When power is restored, the Liebert® DCP will automatically restart.
	Leak in system - loss of charge	Check the entire system for leaks with a fluid sniffer. Repair as necessary.
	Low Chilled Water Temperature Alarm and Loss of Flow Pump X Alarm	Check supply chilled water temperature.
	Supply Fluid Sensor Failure Alarm	Check wiring. Call service.
Pipe rattle	Loose pipe connections	Check pipe connections.
Chilled water valve not working	Motor operates but valve won't open	Check linkage for adjustment and be sure that it is tight on the valve.
	No 24 VAC power to motor	Check for 24 VAC between P52-1 and P52-4.
	No signal from control	Check 24 VAC at P22-1 (close) or P22-3 (open).
	Motor not operating	Unplug P22 from the board. Jumper P22-5 to P52-4 for grounding, then jumper P22-1 to P52-1 to drive close. Remove jumper to close and then jumper P22-3 to P52-1 to drive open. If motor fails to work, replace it.
Motor burnout	Check control panel for welded contactor contacts or welded overload contacts	Replace defective components.
Main 24VAC fuse trips	Shorts or loose connections	Check the wiring connections of the 24 VAC circuit.
	Faulty circuit board	Replace the circuit board.
	Liebert® DCP is Off	Check status of the Liebert® DCP at the user interface. Turn system On at I/O button if system is Off.
	High dew point	Check temperature and relative humidity (RH) of room. Lower RH setpoint if necessary to lower dew point. At normal room temperature of 68°F (20°C), the RH should be set to 50% or lower.
Room becomes too warm	Minimum room temperature setpoint is too high.	Check the setpoint in the User Setpoints menu (see User-level Setpoints on page 56).
	Temperature/humidity sensors incorrectly placed	Place the sensor on the return air side of the primary air mover (e.g., Liebert® DS). Do not install the sensor near unsealed doors, windows or similar areas.

10.1 Vertiv™ Liebert® iCOM™ Notifications and Solutions

When troubleshooting, you can use the notifications on the Liebert® iCOM™ display and the following solutions.

10.1.1 Liebert® iCOM™ Alarm Descriptions

NOTE: You must acknowledge alarms before resetting. To acknowledge or silence an alarm, press the ALARM key one time. This will silence the alarm; the red LED will remain illuminated until the alarm is reset.

Table 10.2 Alarms and Solutions

Alarm	Solution
CALL SERVICE	Activated when Customer Input 1 is configured for "Call Service" and 24VAC is applied to the input. This alarm is reset when the 24VAC is removed.
CONDENSATION DETECTED (optional)	Activated when water is detected at a cooling module. A 24VAC signal is applied to the condensation input on the control board using a pair of twisted wires or the alarm is sent via CANbus communication. When this alarm is active, the control will raise its fluid control point by 4°F (2.2°C). This alarm will reset when the alarms is acknowledged and the signal stops being sent from CANbus or condensation input. The alarm can also be reset by cycling the power. The main power must be cycled to remove the 4°F (2.2°C) offset (not currently used).
CONTROL VALVE FAILURE	Activated when the chilled water control valve has been commanded to open or close by the control and no change is detected by the valve position signal. The alarm is reset when the main power is cycled.
CUSTOMER INPUT 1	Activated when a 24VAC signal is applied to the customer alarm input on the control board. This alarm will reset when the 24VAC signal stops being sent from the customer alarm input. WATER UNDER FLOOR, SMOKE DETECTED, CALL SERVICE, and COMP LOCK PD are possible designations for this alarm; they are set with the Unit Code.
FAN FAILURE (optional)	Activated when a 24VAC signal is applied to the fan failure input on the control board using a twisted pair of wires or the alarm is sent via CANbus communication. This alarm will reset when the alarms is acknowledged and the signal stops being sent from CANbus or fan failure input. The alarm can also be reset by cycling the power (not currently used).
HIGH CW TEMP	Activated when the Supply CW sensor reads the chilled water temperature above the user-specified alarm setpoint. This alarm will reset when the reading from the fluid temperature sensor drops 5°F (2.8°C) below the user-specified setpoint and the alarm has been acknowledged.
HIGH DEW POINT	Activates when the calculated dew point at either Sensor A or B exceeds the user-specified alarm setpoint. The alarm will reset when the calculated room dew point from both Sensor A and Sensor B is 2°F (1.1°C) below the setpoint and the alarm has been acknowledged.
HIGH COOLANT TEMP	Activated when the coolant temperature sensor reads the coolant temperature above the user-specified alarm setpoint. This alarm will reset when the reading from the coolant temperature sensor drops 2°F (1.1°C) below the user-specified setpoint and the alarm has been acknowledged.
HIGH TEMP SENSOR A	Activated when the reading from Sensor A is above the user-specified alarm setpoint. The alarm will reset when the reading from Sensor A drops 2°F (1.1°C) below the setpoint and the alarm has been acknowledged.
HIGH TEMP SENSOR B	Activated when the reading from Sensor A is above the user-specified alarm setpoint. The alarm will reset when the reading from Sensor A drops 2°F (1.1°C) below the setpoint and the alarm has been acknowledged.
LOSS OF FLOW PUMP 1	Activated when Pump 1 is commanded to run and the differential-pressure switch does not sense differential pressure. After attempting to start Pump 1 three times, the Liebert® DCP with Liebert® iCOM™ Control will automatically switch to the other pump to establish flow. This alarm will reset when flow has been established on Pump 1 and the alarm has been acknowledged.
LOSS OF FLOW PUMP 2	Activated when Pump 2 is commanded to run and the differential-pressure switch does not sense differential pressure. After attempting to start Pump 2 three times, the Liebert® DCP with Liebert® iCOM™ Control will automatically switch to the other pump to establish flow. This alarm will reset when flow has been established on Pump 2 and the alarm has been acknowledged.
LOW MEMORY	Activated when the control board is low in memory resources. This alarm rests automatically as soon as memory consumption falls below the threshold.

Table 10.2 Alarms and Solutions (continued)

Alarm	Solution
LOW COOLANT TEMP	Activated when the supply coolant temperature sensor temperature reading drops below the higher of the two calculated dew points, assuming that neither Sensor A nor Sensor B has a sensor failure alarm. This alarm will reset when the coolant temperature sensor reads the fluid temperature above both of the two calculated dew points and the alarm has been acknowledged. This alarm can lock the unit Off. If this occurs, the main power must be cycled, or the Low Coolant Temp Alarm Code in the Service Diagnostics menu must be reset to 0.
LOW TEMP SENSOR A	Activated when the reading from Sensor A drops below the user-specified alarm setpoint. The alarm will reset when the reading from Sensor A rises 2°F (1.1°C) above the setpoint and the alarm has been acknowledged.
LOW TEMP SENSOR B	Activated when the reading from Sensor B drops below the user-specified alarm setpoint. The alarm will reset when the reading from Sensor B rises 2°F (1.1°C) above the setpoint and the alarm has been acknowledged.
PUMP SHORT CYCLE	Activated when the Liebert® DCP with Liebert® iCOM™ Control is trying to establish flow and is unable to do so. The Liebert® DCP with Liebert® iCOM™ Control will attempt three times to establish flow on a pump before trying the other pump. The control will keep cycling three times on one pump, then three times on the other pump until it is able to establish flow. If this cycling occurs for 30 minutes and the Liebert® DCP with Liebert® iCOM™ Control still does not establish flow, a PUMP SHORT CYCLE alarm will be present. This alarm will shut down the Liebert® DCP with Liebert® iCOM™ Control. To reset this alarm, the main power must be cycled.
RAM/BATTERY FAIL	Activated when the RAM backup battery or the RAM itself has failed. This requires a hardware replacement.
SENSOR A FAILURE	Activated when the controls no longer senses a signal from Sensor A. This alarm will reset when the signal is returned and the alarms has been acknowledged.
SENSOR B FAILURE	Activated when the controls no longer senses a signal from Sensor B. This alarm will reset when the signal is returned and the alarm has been acknowledged.
SMOKE DETECTED	Activated when the Customer Input 1 is configured for "Smoke" and 24VAC is applied to the input. This alarm is reset when the 24VAC is removed. NOTE: This is not a room smoke detector and is not intended to replace external smoke detectors.
SUPPLY CW SENSOR FAILURE	Activated when the control no longer senses a signal from the Supply CW sensor. This alarm will reset when the signal is returned.
SUPPLY COOLANT SENSOR FAILURE	Activated when the control no longer senses a signal from the supply coolant sensor. This alarm will reset when the signal is returned.
UNIT CODE MISSING	Activated when a valid unit code has not been entered and saved. To reset, enter valid unit code, save and execute.
WATER UNDER FLOOR	Activated when Customer Input 1 is configured for "Water Alarm" and 24VAC is applied to the input. This alarm is reset when the 24VAC is removed.

10.2 Vertiv™ Liebert® iCOM™ Warning Descriptions

Table 10.3 Warnings and Solutions

Warning	Solution
LOSS OF POWER	Activated when the unit is On and operational and 24VAC power to the control is lost. This alarm will be emitted when power is restored to the control. The Liebert® DCP with Liebert® iCOM™ Control will restart at a user-defined time delay after power is restored. Once activated, the alarm will remain activated for 30 minutes.
PUMP 1 HRS EXCEED	Activated when the Pump 1 Actual Hours exceeds the user-specified limit. To reset, Actual Hours must be reset to 0.
PUMP 2 HRS EXCEED	Activated when the Pump 2 Actual Hours exceeds the user-specified limit. To reset, Actual Hours must be reset to 0.

10.3 Vertiv™ Liebert® iCOM™ System Shut-down Notifications

Table 10.4 Shut-down Messages

Message	Description
Unit Is Off By Coolant Sens Fail	The control has lost its signal from the coolant temperature sensor. The control has no way of controlling the coolant temperature, so the unit is shut off. Main power (disconnect switch) must be turned Off, then back On to clear this alarm.
Unit Is Off By High CW Temp	The entering chilled water temperature is too high to keep the pump(s) running normally. If a HIGH CW TEMP alarm occurs and the pump loses flow, then the Liebert DCP will go into a pre-chill mode. The Liebert DCP can attempt to start again only if the entering chilled water temperature drops below the HIGH CW TEMP setpoint.
Unit Is Off By Pump Short Cycle	The control was unable to get a pump started upon start up or after a loss of flow. The control looks at the SHORT CYCLE time delay. If it cannot establish flow within that amount of time, the unit is shut down. Main power (disconnect switch) must be turned Off, then back On to clear this alarm.
Unit Is Off By Low Coolant Temp	The control was unable to raise the coolant temperature to the calculated fluid temperature control point. The unit is shut down because if the control cannot raise the coolant temperature to the calculated coolant temperature control point, water may condense on the coolant piping and receiving coils. Main power (disconnect switch) must be turned Off, then back On to clear this alarm.

This page intentionally left blank

11 Specifications

Table 11.1 Vertiv™ Liebert® DCP200 Specifications

Models	DCP200RA2BB0	DCP200RM2BB0
Cooling Capacity, Nominal	200 kW / 57 Tons, 60Hz	200 kW / 57 Tons, 50 Hz
	Each capacity is based on 45°F (7°C) entering water temperature and 114 gpm (26 m ³ /h) water flow rate. Capacity is reduced when glycol mixtures are used in place of 100% water.	
Electrical Requirements		
Input	460V3ph/60Hz	380/415V/3ph/50Hz
Full Load Amps	7.3A	8.7A
WSA ¹	8	9
OPD ²	15	15
Dimensions, inches (mm)		
Height – Unit Only	78 (1981)	
Height – As Shipped	83 (2108)	
Width	38 (965)	
Depth	34 (864)	
Weight, lb (kg)		
Unit Only	931(423)	1105 (502)
Shipping Weight	1100 (499)	1275 (579)
Installed, with Fluid and Chilled Water	1148 (521)	1322 (600)
Pipe Connections		
Fluid Supply to Cooling Module	2-5/8" OD, Cu	
Fluid Return from Cooling Module	2-5/8" OD, Cu	
Chilled Water Supply and Return	2-5/8" OD, Cu	
Control Valve	2-way, 2" nominal; 35 PSIG close-off pressure rating; 150 PSIG maximum allowable pressure	
Pressure Drop – Chilled Water Side	14.0 psig (97 kPa, 0.97 bar), with 114 gpm (26 m ³ /h) water flow rate, control valve fully open	
Temperature Rise – Chilled Water Side at Rated Flow, °F (°C)	12.0 (6.7)	
Number of Liebert Cooling Units Connected, Maximum		

Table 11.1 Vertiv™ Liebert® DCP200 Specifications (continued)

Models	DCP200RA2BB0	DCP200RM2BB0
Liebert® DCD35	10 @ 20 kW	
Cabinet Exterior Finish	Black, matte finish, heat-fused powder coat	
Operating Ambient Temperature, Maximum, °F (°C)	86 (30)	
1. WSA = Wire Sizing Amps (Minimum supply circuit ampacity)		
2. OPD = Overcurrent Protection Device		

Appendices

Appendix A: Technical Support and Contacts

A.1 Technical Support/Service in the United States

Vertiv Corporation

24x7 dispatch of technicians for all products.

1-800-543-2378

Liebert® Thermal Management Products

1-800-543-2378

Liebert® Channel Products

1-800-222-5877

Liebert® AC and DC Power Products

1-800-543-2378

A.2 Locations

United States

Vertiv Headquarters

505 N. Cleveland Ave.

Westerville, OH 43082, USA

Europe

Via Leonardo Da Vinci 8 Zona Industriale Tognana

35028 Piove Di Sacco (PD) Italy

Asia

7/F, Dah Sing Financial Centre

3108 Gloucester Road

Wanchai, Hong Kong

This page intentionally left blank

Appendix B: Submittal Drawings

The submittal drawings are in the order of document part number (DPN). **Table B.1** below, groups the drawings by topic/application.

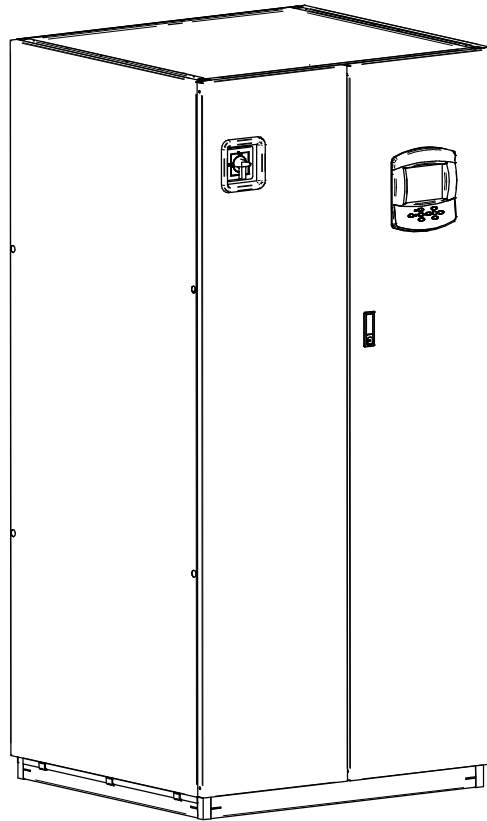
Table B.1 Submittal Drawings Contents

Document Number	Title
DPN002400	Cabinet dimension, Piping and Electrical Connections for DCP Pump unit
DPN004751	Piping general arrangement, Vertical pumping unit

This page intentionally left blank

STANDARD FEATURES

PUMPING UNIT W/ LIEBERT® iCOM™ CONTROLS



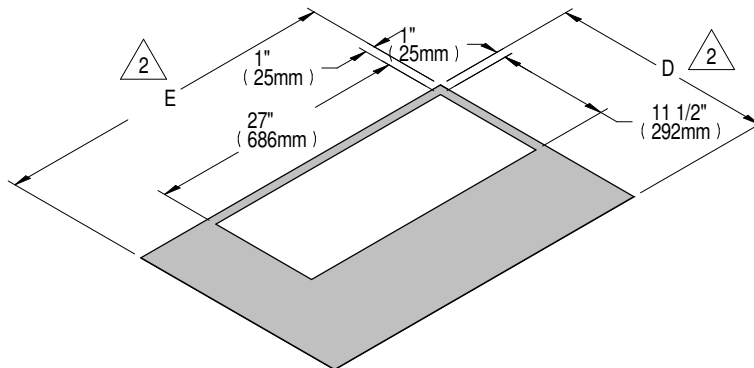
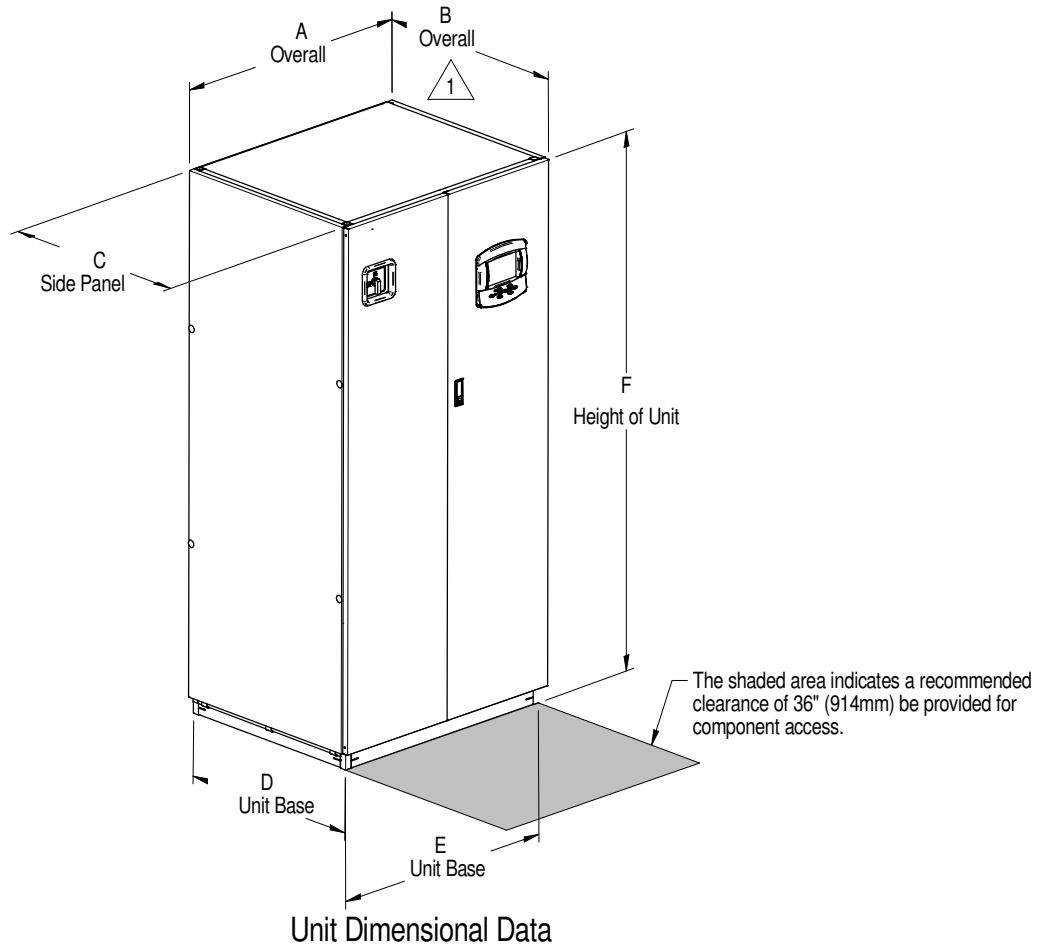
HEAT EXCHANGER - Brazed plate design with interwoven circuiting constructed of stainless steel plates, copper brazed.

PUMPS - Centrifugal type. Uses Chilled Water.

STANDARD CONTROL PROCESSOR - The standard control system is microprocessor-based with an external LCD numerical display to allow observation of specified settable functions. Normal operating conditions are indicated on the LCD display panel, which is mounted to the unit. The control system also monitors unit operation and activates an alarm when any of the specified factory preset conditions are exceeded.

CABINET AND FRAME - Custom powder painted steel panels. A hinged control access panel opens to a second front panel, which is a protected enclosure for all high voltage components. Frame is constructed of 14 gauge heli-arc welded tubular steel and painted using an auto-deposition coating system.

CABINET DIMENSIONAL DATA PUMPING UNIT W/ LIEBERT® iCOM™ CONTROLS



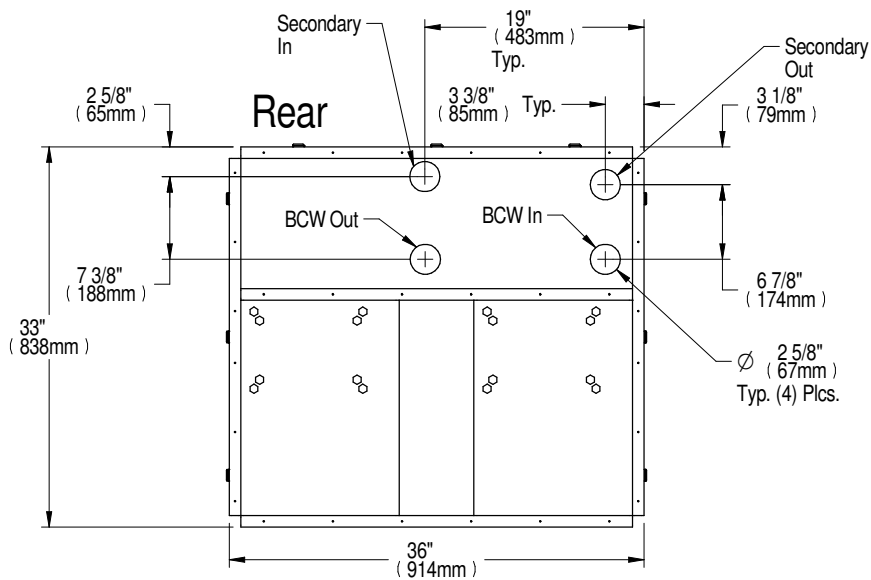
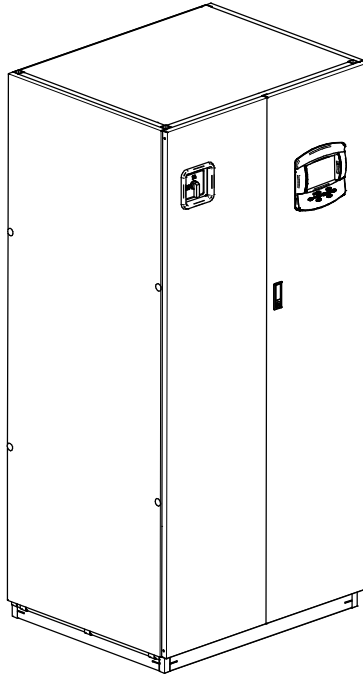
Notes:

1. Dimension Does Not Include the Bezel of the Disconnect Switch.

2. Represents dimensions of Drip Tray.

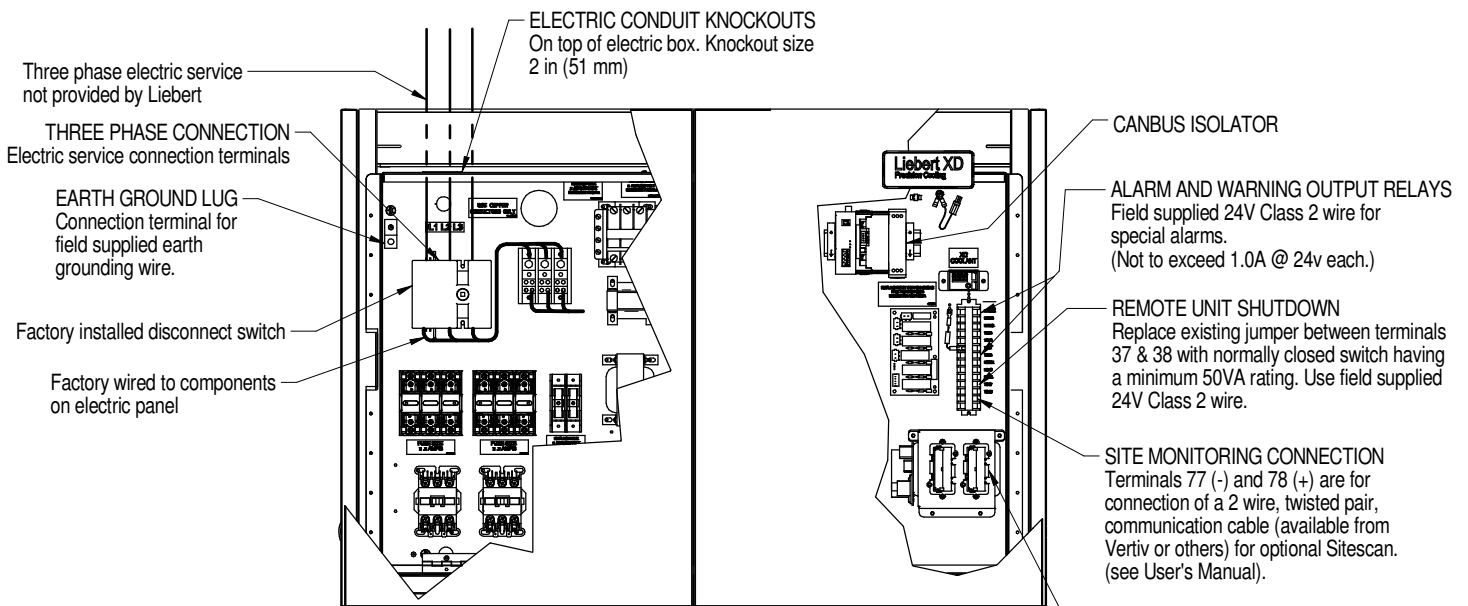
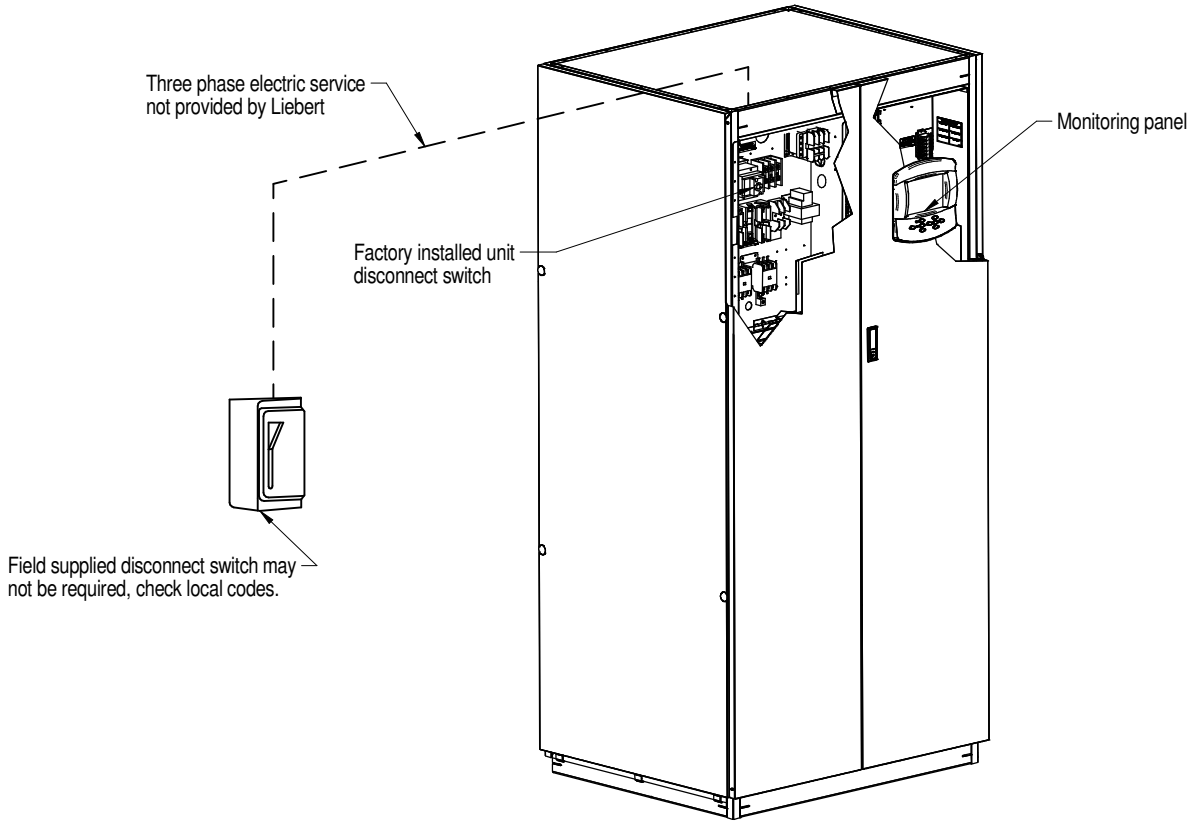
Model 50/60 Hz	Dimensional Data in. (mm)						Shipped Weight lbs (kg)	
	A	B ¹	C	D ²	E ²	F	Domestic	Export
DCP200	38 (965)	34 (864)	33 1/8 (841)	33 (838)	36 (914)	78 (1981)	1100 (500)	1275 (579)

PIPING CONNECTIONS PUMPING UNIT W/ LIEBERT® iCOM™ CONTROLS



Floor Piping
Front View from Top of Unit

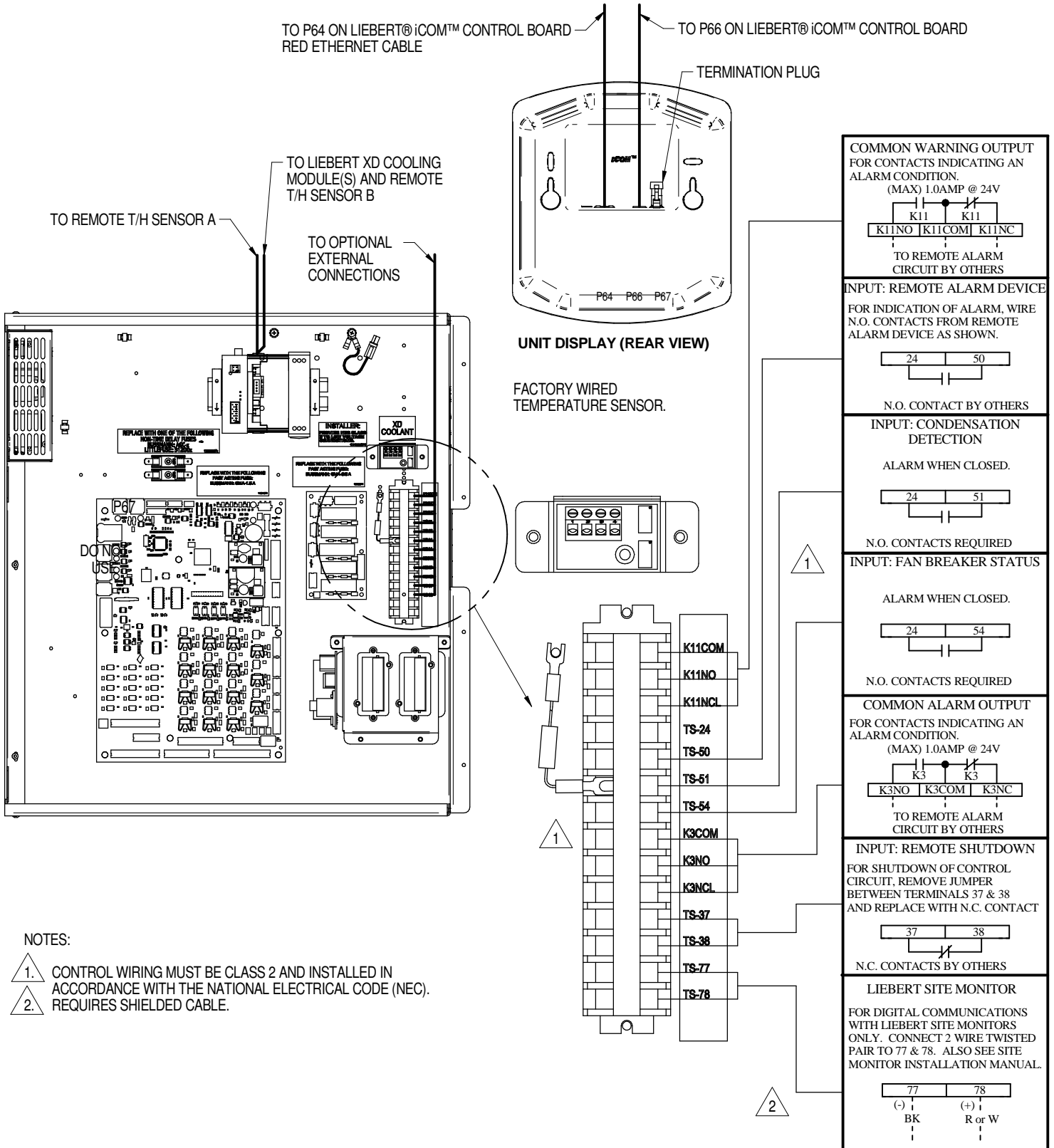
**ELECTRICAL CONNECTIONS
PUMPING UNIT W/ LIEBERT® iCOM™ CONTROLS**



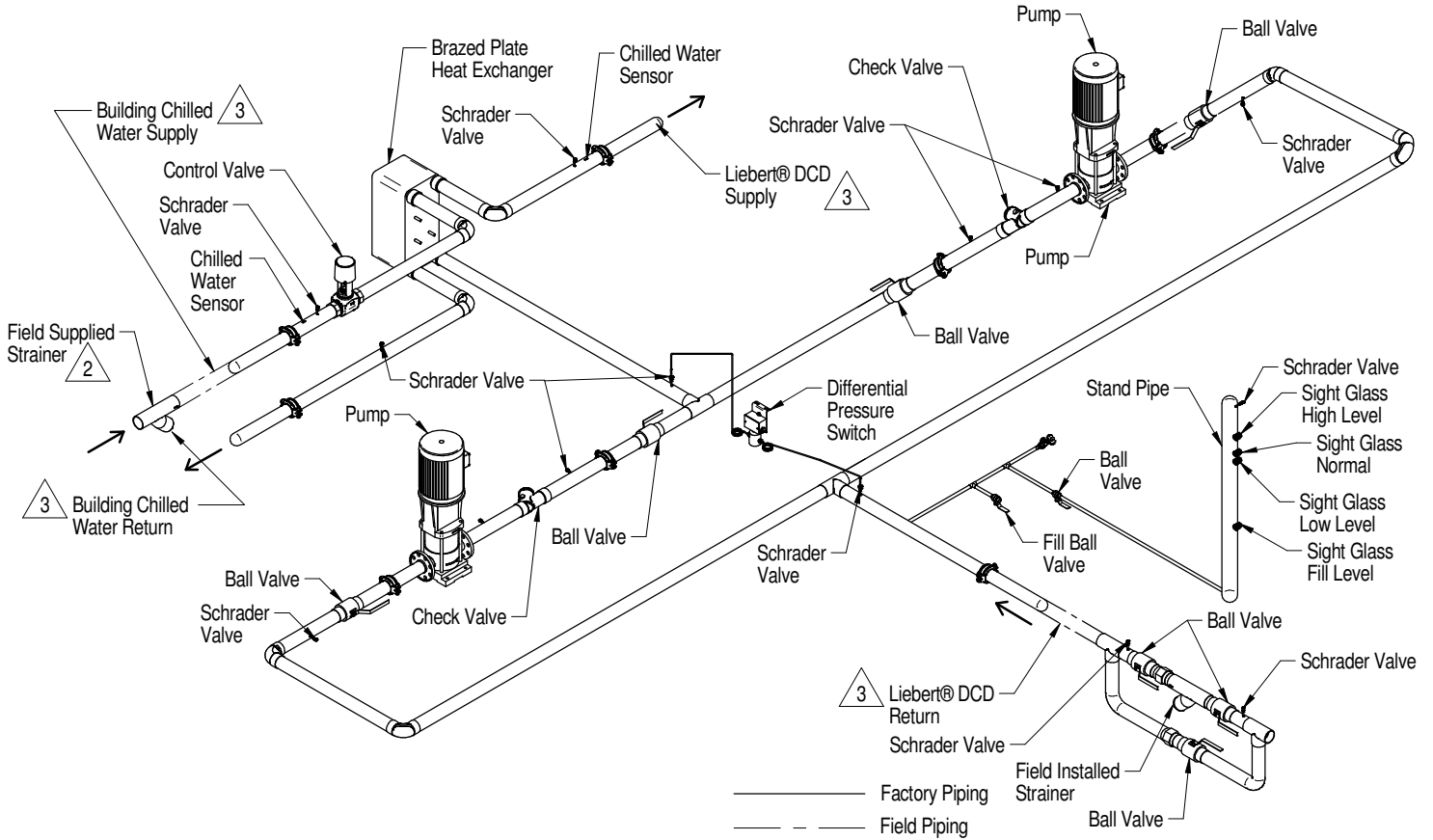
60HZ COMPONENTS SHOWN

NOTE: Refer to specification sheet for full load amp. and wire size amp. ratings.

ELECTRICAL CONNECTIONS LOW VOLTAGE PUMPING UNIT W/ LIEBERT® iCOM™ CONTROLS



GENERAL ARRANGEMENT DCP200 PUMPING UNIT



NOTES:

1. Arrangement Diagram representation shown. Do not use for specific connection locations.

2. For each Liebert® DCP unit, a separate 20-40 mesh strainer is required in the chilled water supply from the chilled water source. The strainer is field supplied and field installed. The maximum distance of the strainer is 10 feet from the Liebert® DCP.

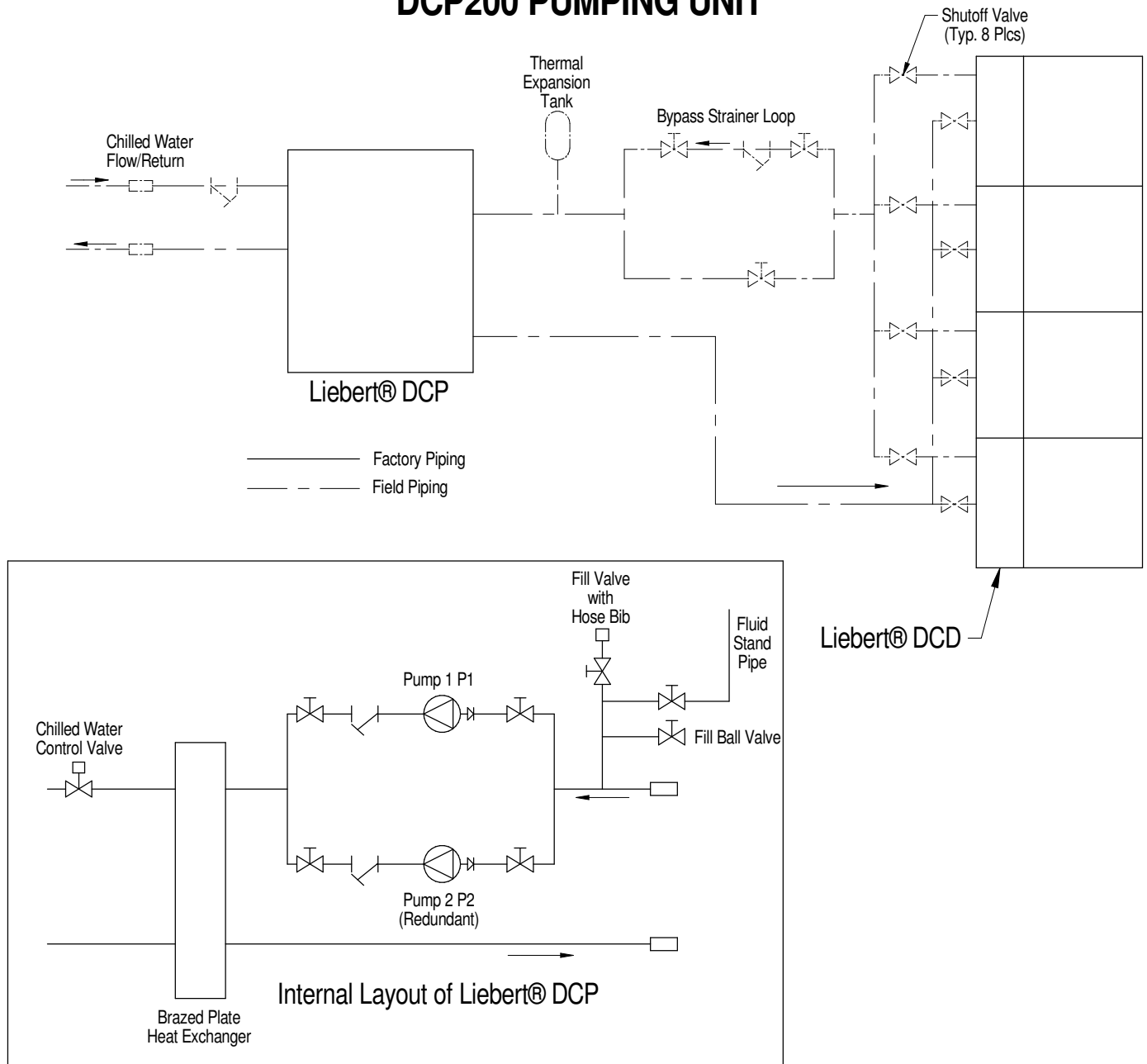
3. Customer connection piping is factory spun closed.

4. Field to provide Chilled water Supply and Return shut off valves.

5. Field to install factory supplied strainer in field secondary (Liebert® DCD) return line to Liebert® DCP. Vertiv recommends above bypass piping arrangement to allow for cleaning the strainer without disrupting unit operation. Also pressure taps across the strainer to check pressure drop. Three full port ball valves and piping are supplied by the field. Pressure taps are factory supplied and field installed. The maximum distance of this assembly is 10 feet from the Liebert® DCP Unit.

6. Field to supply and install a Thermal Expansion Tank on the secondary loop to the Liebert® DCD, per local code.

GENERAL ARRANGEMENT DCP200 PUMPING UNIT



NOTES:

1. Arrangement Diagram representation shown. Do not use for specific connection locations.

2. For each Liebert® DCP unit, a separate 20-40 mesh strainer is required in the chilled water supply from the chilled water source. The strainer is field supplied and field installed. The maximum distance of the strainer is 10 feet from the Liebert® DCP.

3. Customer connection piping is factory spun closed.

4. Field to provide Chilled water Supply and Return shut off valves.

5. Field to install factory supplied strainer in field secondary (Liebert® DCD) return line to Liebert® DCP. Vertiv recommends above bypass piping arrangement to allow for cleaning the strainer without disrupting unit operation. Also pressure taps across the strainer to check pressure drop. Three full port ball valves and piping are supplied by the field. Pressure taps are factory supplied and field installed. The maximum distance of this assembly is 10 feet from the Liebert® DCP Unit.

6. Field to supply and install a Thermal Expansion Tank on the secondary loop to the Liebert® DCD, per local code.

Connect with Vertiv on Social Media



<https://www.facebook.com/vertiv/>



<https://www.instagram.com/vertiv/>



<https://www.linkedin.com/company/vertiv/>



<https://www.twitter.com/Vertiv/>



Vertiv.com | Vertiv Headquarters, 505 N. Cleveland Ave., Westerville, OH 43082, USA

© 2023 Vertiv Group Corp. All rights reserved. Vertiv™ and the Vertiv logo are trademarks or registered trademarks of Vertiv Group Corp. All other names and logos referred to are trade names, trademarks or registered trademarks of their respective owners. While every precaution has been taken to ensure accuracy and completeness here, Vertiv Group Corp. assumes no responsibility, and disclaims all liability, for damages resulting from use of this information or for any errors or omissions.

SL-17310_REV12_05-23