



eSure™ Power Extend Converter Mounting Bracket Kit

Installation Manual

Kit Specification Number: 565391, 565459, 565601

The information contained in this document is subject to change without notice and may not be suitable for all applications. While every precaution has been taken to ensure the accuracy and completeness of this document, Vertiv assumes no responsibility and disclaims all liability for damages resulting from use of this information or for any errors or omissions. Refer to other local practices or building codes as applicable for the correct methods, tools, and materials to be used in performing procedures not specifically described in this document.

The products covered by this instruction manual are manufactured and/or sold by Vertiv. This document is the property of Vertiv and contains confidential and proprietary information owned by Vertiv. Any copying, use or disclosure of it without the written permission of Vertiv is strictly prohibited.

Names of companies and products are trademarks or registered trademarks of the respective companies. Any questions regarding usage of trademark names should be directed to the original manufacturer.

Technical Support Site

If you encounter any installation or operational issues with your product, check the pertinent section of this manual to see if the issue can be resolved by following outlined procedures.

Visit <https://www.vertiv.com/en-us/support/> for additional assistance.

TABLE OF CONTENTS

Admonishments Used in this Document.....	iv
Important Safety Instructions.....	v
Safety Admonishments Definitions.....	v
Safety and Regulatory Statements.....	v
Déclarations de Sécurité et de Réglementation.....	v
1 Vertiv™ eSure™ Power Extend Converter Mounting Bracket Kit Installation Instructions.....	1
1.1 Kit Description.....	1
1.2 Mounting Bracket Kit Contents.....	1
1.3 Tools and Material Required.....	4
1.4 Mounting Bracket Kit Installation Procedure.....	5
2 Installing the Power Extend Converter into a Distribution Position.....	16
2.1 Important Safety Instructions.....	16
2.2 Restrictions.....	16
2.3 Single Power Extend Converter Installation.....	17
2.4 Parallel Power Extend Converter Installation.....	22

Admonishments Used in this Document



DANGER! Warns of a hazard the reader **will** be exposed to that will **likely** result in death or serious injury if not avoided. (ANSI, OSHA)



WARNING! Warns of a potential hazard the reader **may** be exposed to that **could** result in death or serious injury if not avoided. This admonition is not used for situations that pose a risk only to equipment, software, data, or service. (ANSI)



CAUTION! Warns of a potential hazard the reader **may** be exposed to that **could** result in minor or moderate injury if not avoided. (ANSI, OSHA) This admonition is not used for situations that pose a risk only to equipment, data, or service, even if such use appears to be permitted in some of the applicable standards. (OSHA)



ALERT! Alerts the reader to an action that **must be avoided** in order to protect equipment, software, data, or service. (ISO)



ALERT! Alerts the reader to an action that **must be performed** in order to prevent equipment damage, software corruption, data loss, or service interruption. (ISO)



FIRE SAFETY! Informs the reader of fire safety information, reminders, precautions, or policies, or of the locations of fire-fighting and fire-safety equipment. (ISO)



SAFETY! Informs the reader of general safety information, reminders, precautions, or policies not related to a particular source of hazard or to fire safety. (ISO, ANSI, OSHA)

Important Safety Instructions

Safety Admonishments Definitions

Definitions of the safety admonishments used in this document are listed under “Admonishments Used in this Document” on page iv.

Safety and Regulatory Statements

Refer to Section 4154 (provided with your customer documentation) for Safety and Regulatory Statements.

Déclarations de Sécurité et de Réglementation

Reportez-vous à la Section 4154 (fourni avec les documents de votre client) pour les déclarations de sécurité et de réglementation.

This page intentionally left blank.

1 Vertiv™ eSure™ Power Extend Converter Mounting Bracket Kit Installation Instructions

1.1 Kit Description

Mounting bracket kits have been designed to easily install Vertiv™ eSure™ Power Extend Converter (Model C48/58-1000B, Spec. No. 1C48581000B) into a distribution position of a Vertiv™ NetSure™ Power System (see UM565050 for kit part numbers and descriptions). A mounting bracket kit must be used for grounding and mechanical support. See Table 1.1 for the kits covered by these instructions.

These instructions provide a step-by-step procedure to field install Vertiv™ eSure™ Power Extend Converter using one of the kits listed in Table 1.1. Installation of this kit in other systems not listed in Table 1.1 should not be attempted.

Table 1.1 Power System Mounting Bracket Kits Covered by these Instructions

Mounting Bracket Kit P/N	Description
565391	For use with a List AA (24-position bullet) distribution panel installed in a Spec. No. 582127000 power system. For use with a List DA, DB, DC, DD (21-position bullet dual voltage) distribution panel installed in a Spec. No. 581127000 or 582127000 power system.
565459	For use with a List AL (26-position bullet) distribution panel installed in a Spec. No. 582127000, 582127000100, 582127000101, 582127000102, 582127000103, 582127000203 power system. For use with a List DE, DF, DG, DH, DJ, DK (26-position bullet dual voltage) distribution panel installed in a Spec. No. 581127000 or 582127000 power system.
565601	For use with a List AA, AM, AN (24-position bullet) distribution panel installed in a Spec. No. 582126000 or 582125000 power system. For use with a List JA, JB, JC (20-position bullet dual voltage) or List JD (22-position bullet dual voltage) distribution panel installed in a Spec. No. 581126000, 581125000, 582126000, 582125000 power system.

1.2 Mounting Bracket Kit Contents

Table 1.2, Table 1.3, and Table 1.4 list the items furnished as a part of the various mounting bracket kits covered by these instructions. Before installing a mounting bracket kit, check the items furnished against those listed to ensure that there are no shortages.

Table 1.2 Mounting Bracket Kit P/N 565391 Contents

P/N	Description	Qty.
565677	Left Side Mounting Bracket	1
565678	Right Side Mounting Bracket	1
565716	Front Side Mounting Bracket	1
132101	#10 Captive Nut (factory attached to left/right brackets)	2
218706400	#10-32 x 5/8" Screw (factory attached to left/right brackets)	2
214108200	#10 Flat Washer (factory attached to left/right brackets)	2
152175	Hot Surfaces Caution Label (factory attached to front bracket)	2
237650200	Cable Tie	4
60010906	Panel Position Label, 30-Pos	1
151950	Storage Pouch	1
552423	Hook-and-Loop Fastener (factory attached to storage pouch)	1
566026	Toggle Breaker Guard Kit, includes... (Qty. 27) L-Shaped Guard Brackets (Qty. 27) #6-32 x 3/16" Screws (Qty. 27) M3-0.5 x 5 mm Screws	1
565391IB	Instructions (IM565391)	1

Table 1.3 Mounting Bracket Kit P/N 565459 Contents

P/N	Description	Qty.
565571	Left Side Mounting Bracket	1
565581	Right Side Mounting Bracket	1
565582	Front Side Mounting Bracket	1
132101	#10 Captive Nut (factory attached to left/right brackets)	2
218706400	#10-32 x 5/8" Screw (factory attached to left/right brackets)	2
214108200	#10 Flat Washer (factory attached to left/right brackets)	2
152175	Hot Surfaces Caution Label (factory attached to front bracket)	2
120412	#6-19 x 5/16" Screw	2
60010906	Panel Position Label, 30-Pos	1
151950	Storage Pouch	1
552423	Hook-and-Loop Fastener (factory attached to storage pouch)	1
566026	Toggle Breaker Guard Kit, includes... (Qty. 27) L-Shaped Guard Brackets (Qty. 27) #6-32 x 3/16" Screws (Qty. 27) M3-0.5 x 5 mm Screws	1
565459IB	Instructions (IM565391)	1

Table 1.4 Mounting Bracket Kit P/N 565601 Contents

P/N	Description	Qty.
565679	Left Side Mounting Bracket	1
565680	Right Side Mounting Bracket	1
565681	Front Side Mounting Bracket	1
132101	#10 Captive Nut (factory attached to left/right brackets)	2
218706400	#10-32 x 5/8" Screw (factory attached to left/right brackets)	2
214108100	#10 Flat Washer (factory attached to left/right brackets)	2
152175	Hot Surfaces Caution Label (factory attached to front bracket)	2
60010906	Panel Position Label, 30-Pos	1
151950	Storage Pouch	1
552423	Hook-and-Loop Fastener (factory attached to storage pouch)	1
566026	Toggle Breaker Guard Kit, includes... (Qty. 27) L-Shaped Guard Brackets (Qty. 27) #6-32 x 3/16" Screws (Qty. 27) M3-0.5 x 5 mm Screws	1
565601IB	Instructions (IM565391)	1

1.3 Tools and Material Required

Table 1.5 lists the items required to install this kit.

Table 1.5 Tools and Material Required

Description
#1 Flat Blade Screw Driver, insulated
#2 Phillips Blade Screw Driver, insulated, 14" long shaft minimum
Torque Wrench, insulated (capable of being set from 9.6 in-lbs to 72 in-lbs)
3/8" Drive Ratchet and Socket Set, insulated
Power Extend Converter Kit (P/N 565050) (Model C48/58-1000B, Spec. No. 1C48581000B), quantity as needed

1.4 Mounting Bracket Kit Installation Procedure

THESE INSTRUCTIONS SHOULD BE READ THROUGH COMPLETELY BEFORE INSTALLING THE KIT.

The following is a step-by-step procedure to install the kit. The procedure has been written for ease of use and to minimize the possibility of contact with potentially hazardous energy. This procedure should be performed in the sequence given, and each step should be completely read and fully understood before performing that step. Observe all “Important Safety Instructions” starting on page v and also those presented in the following procedure. As each step of the procedure is completed, the box adjacent to the respective step should be checked. This will minimize the possibility of inadvertently skipping any steps. If the step is not required to be performed for your site, also check the box to indicate that it was read.

1.4.1 Important Safety Instructions



DANGER! Adhere to the “Important Safety Instructions” starting on page v and those listed in the power system manual.



CAUTION! When performing any step in procedures that requires removal or installation of hardware, use caution to ensure no hardware is dropped and left inside the unit; otherwise service interruption or equipment damage may occur.



NOTE! When performing any step in this procedure which requires removal of existing hardware, retain all hardware for use in subsequent steps, unless otherwise stated.

1.4.2 Installing Bracket Kit P/N 565391, 565459, 565601

Procedure

- [] 1. Performing this procedure may activate external alarms. Initial installation of the converter with the switch in the off position will actuate the CB/Fuse Alarm. Do one of the following. If possible, disable these alarms. If these alarms cannot be easily disabled, notify the appropriate personnel to disregard any future alarms associated with this system while the procedure is being performed.
- [] 2. Gain access to the distribution panel into which the power extend converter is to be installed.
- [] 3. Remove the plastic shield from the distribution panel by loosening the screws securing it. Slide the shield up and out to remove it. The shield will not be reused. See Figure 1.1, Figure 1.2, or Figure 1.3.

Figure 1.1 565391 Kit

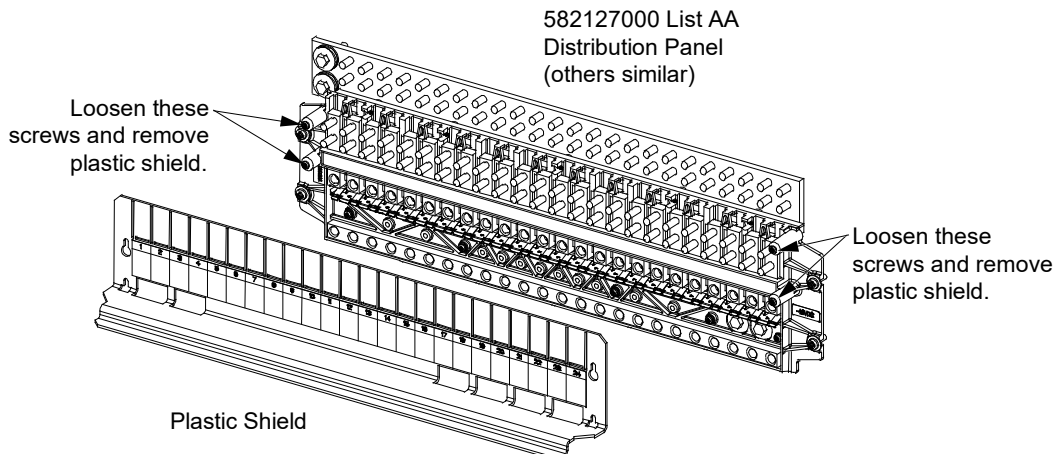


Figure 1.2 565459 Kit

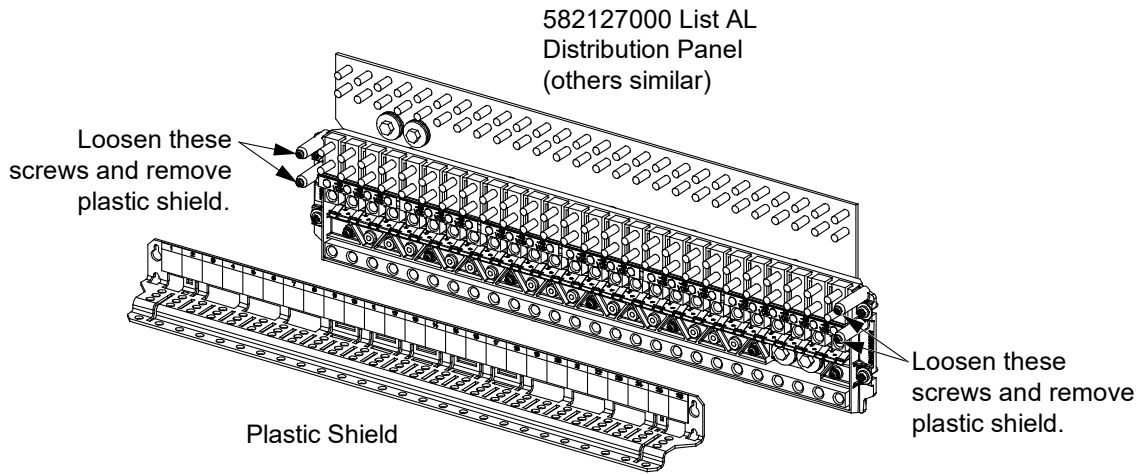
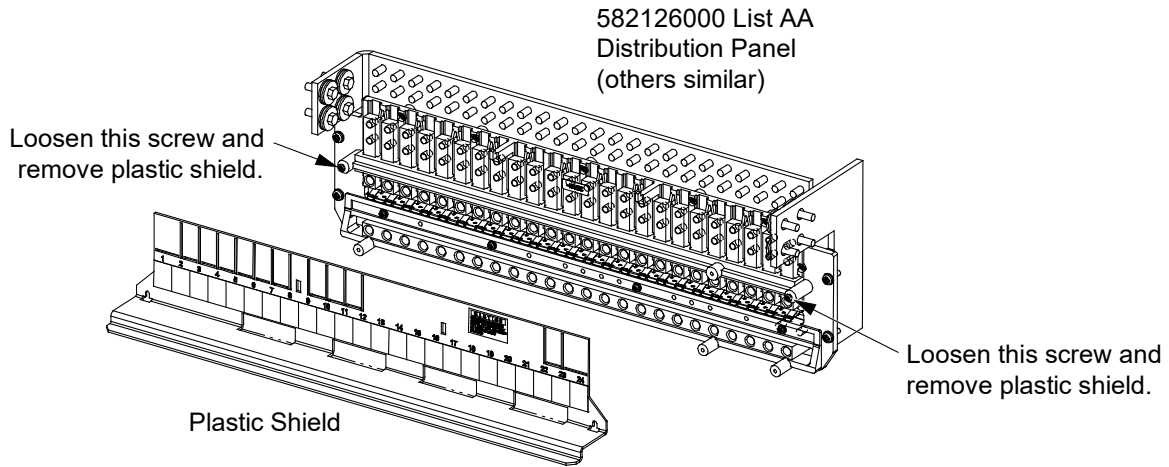


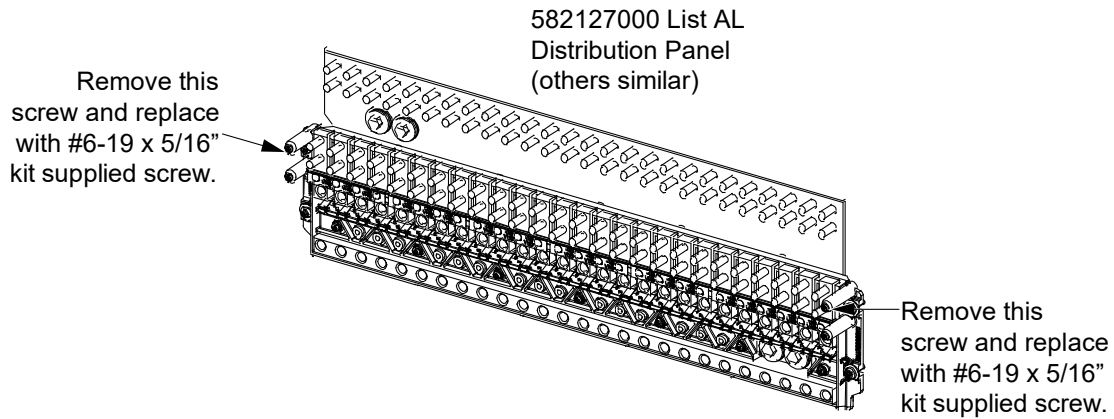
Figure 1.3 565601 Kit



- [] 4. 565459 Kit Only: Completely remove and discard the top two (2) screws (one per side) that secured the shield to the distribution panel, and replace them with the shorter kit supplied screws. Only thread screws a few turns. Tighten or remove the bottom two (2) screws that secured the shield to the distribution panel. See Figure 1.4.

565391 and 565601 Kits Only: Tighten or remove the screws that secured the shield to the distribution panel. See Figure 1.1 or Figure 1.3.

Figure 1.4 565459 Kit



- [] 5. 565391 and 565601 Kits Only: Slightly loosen the two (2) screws shown in Figure 1.5 or Figure 1.7 that secures the distribution panel to the cabinet. It is important that these screws remain in place with some threads engaged. These screws are to be used to secure the kit supplied mounting brackets. It may be advantageous that prior to loosening the bottom screws, loosen each top screw completely and then re-thread three turns. This will provide the ultimate space to insert the flange on the mounting bracket later in this procedure.
- [] 6. Remove the bottom two (2) screws and flat washers (one per side) that secures the distribution panel to the cabinet. These will not be reused. See Figure 1.5, Figure 1.6, or Figure 1.7.

Figure 1.5 565391 Kit

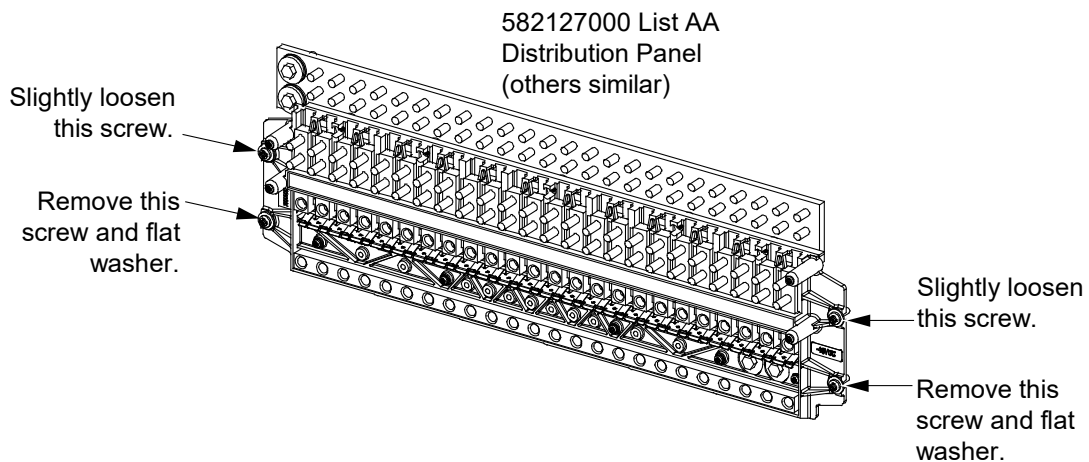


Figure 1.6 565459 Kit

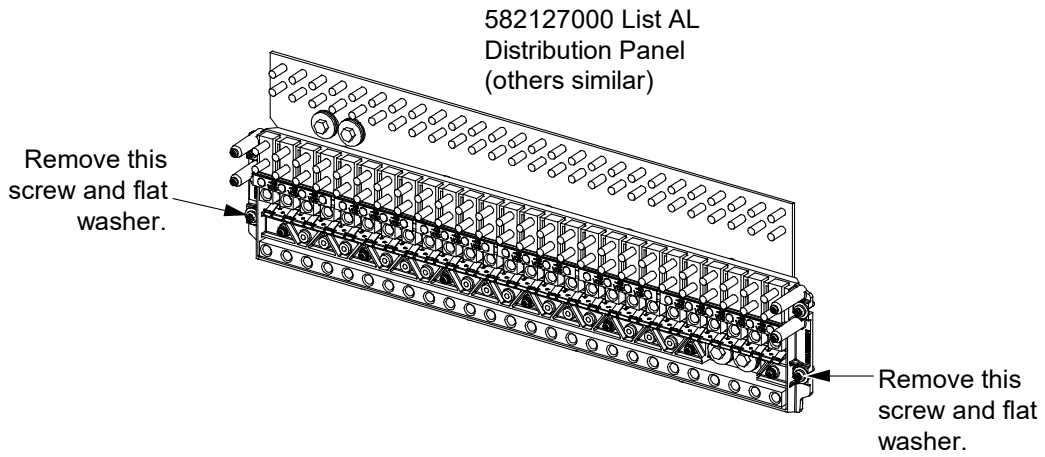
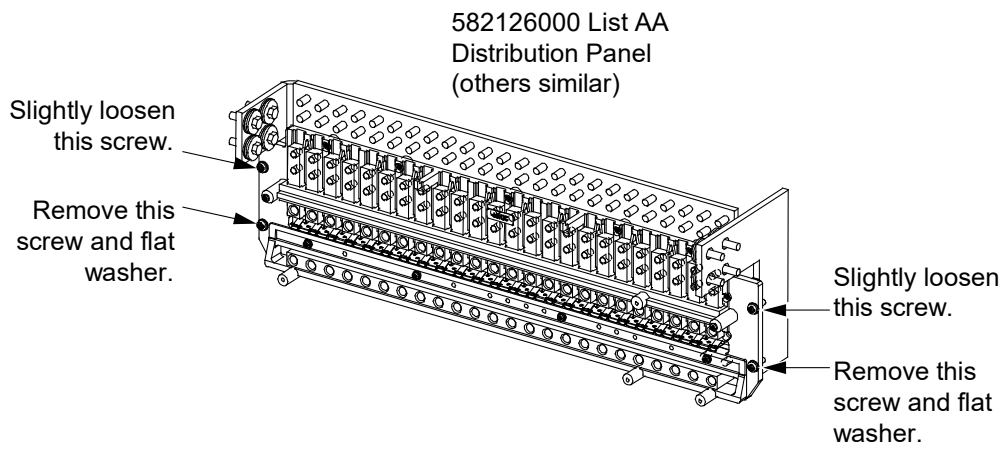


Figure 1.7 565601 Kit



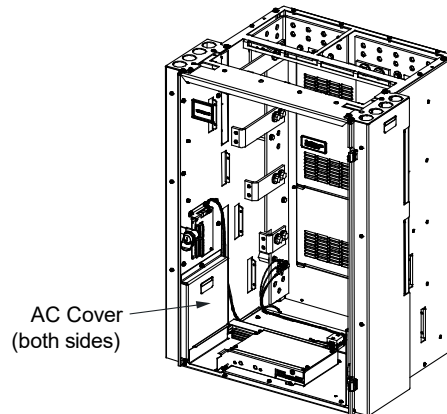
- [] 7. If the distribution panel is located adjacent to the AC covers located on the inside side wall panels of the distribution cabinet and the AC covers protrude into the distribution cabinet where they will interfere with left/right side mounting bracket installation, remove the AC covers. See Figure 1.8.



DANGER! AC input wiring will be exposed. Insulate the AC connection area to prevent contact during this procedure.

- [] 8. In the next step, if system alarm/control wiring interferes with the installation of the left side mounting bracket, cut the cable ties securing the alarm/control wiring and move these forward out of the way. Re-secure with the kit provided cable ties after the left side mounting bracket is installed.

Figure 1.8 AC Covers



- [] 9. Orient the kit supplied left side mounting bracket as shown in Figure 1.9, Figure 1.10, or Figure 1.11. Note that the bracket comes preassembled with bottom mounting hardware. Slide the top mounting slot of the bracket under the existing top mounting screw and washer (previously loosened). Secure the bracket to the bottom of the distribution panel with the preassembled bottom mounting hardware. Secure the bracket to the top of the distribution panel by tightening the top screw. Torque hardware as indicated Figure 1.9, Figure 1.10, or Figure 1.11.

Figure 1.9 565391 Kit

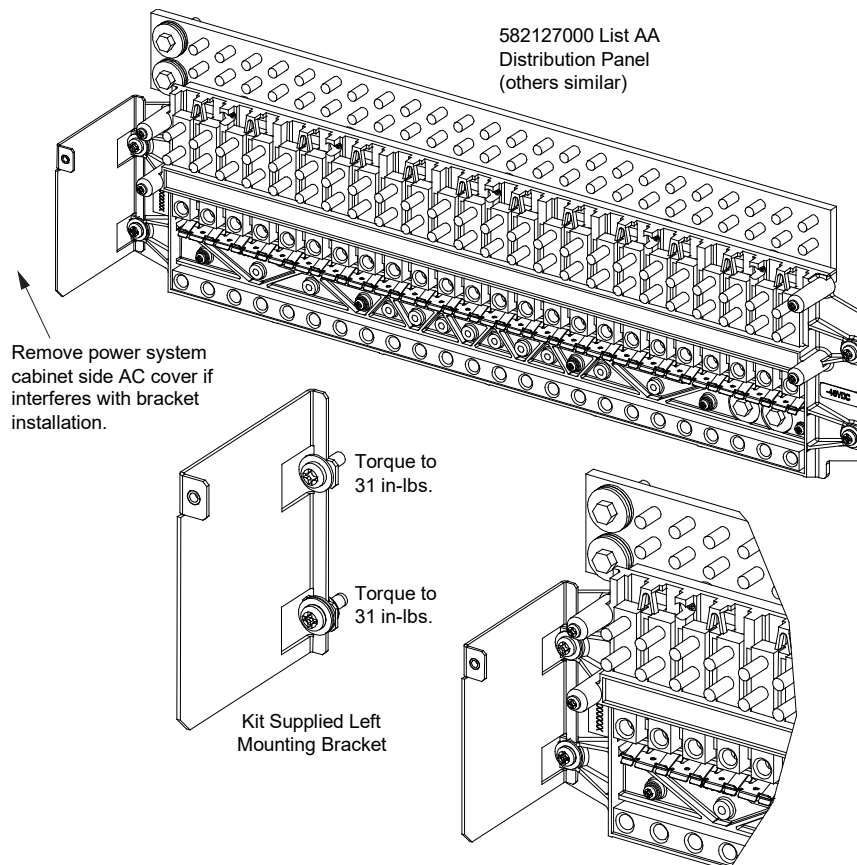


Figure 1.10 565459 Kit

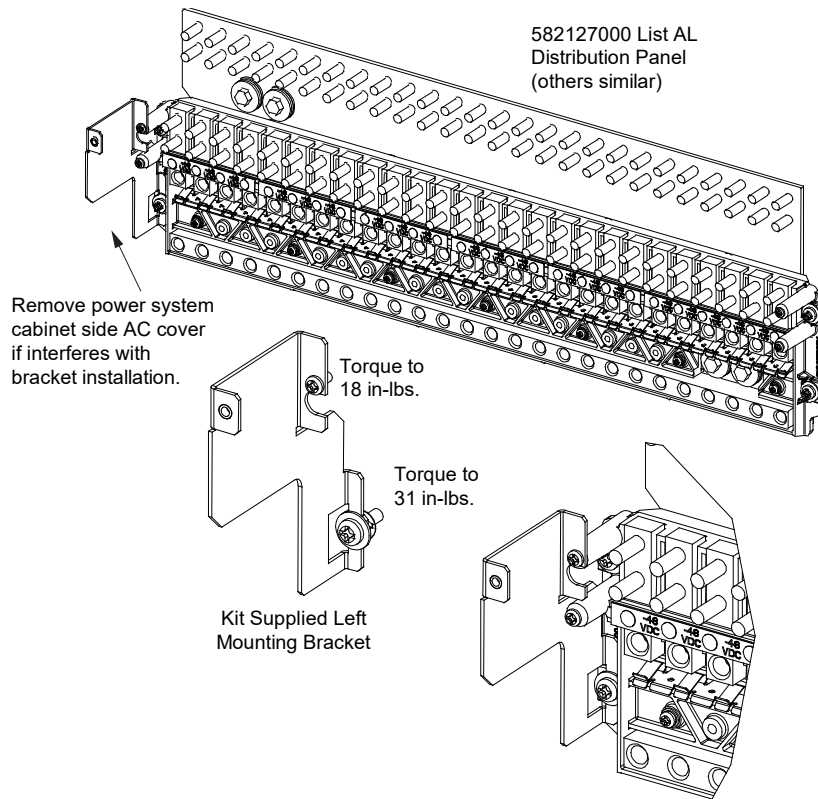
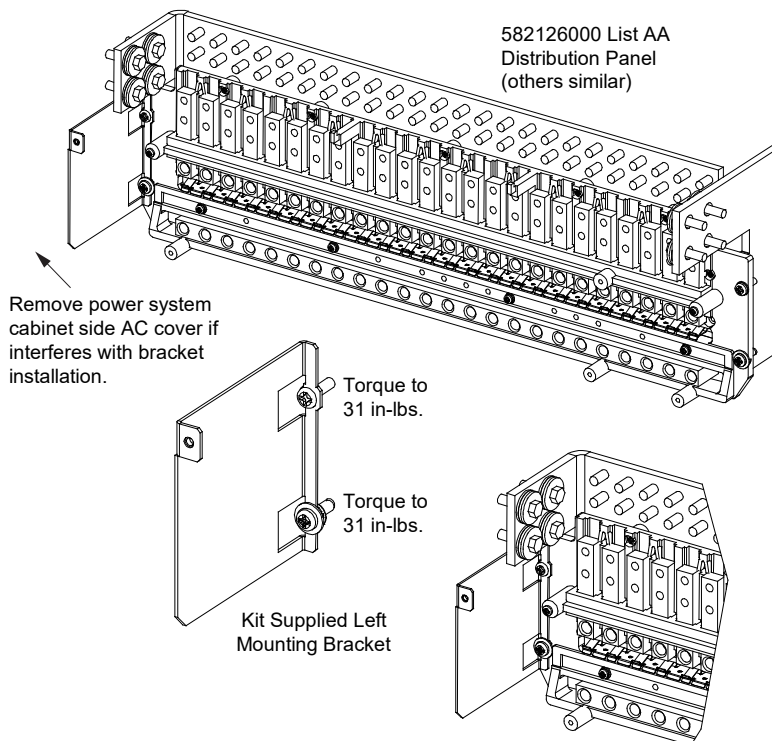


Figure 1.11 565601 Kit



- [] 10. Orient the kit supplied right side mounting bracket as shown in Figure 1.12, Figure 1.13, or Figure 1.14. Note that the bracket comes preassembled with bottom mounting hardware. Slide the top mounting slot of the bracket under the existing top mounting screw and washer (previously loosened). Secure the bracket to the bottom of the distribution panel with the preassembled bottom mounting hardware. Secure the bracket to the top of the distribution panel by tightening the top screw. Torque hardware as indicated Figure 1.12, Figure 1.13, or Figure 1.14.

Figure 1.12 565391 Kit

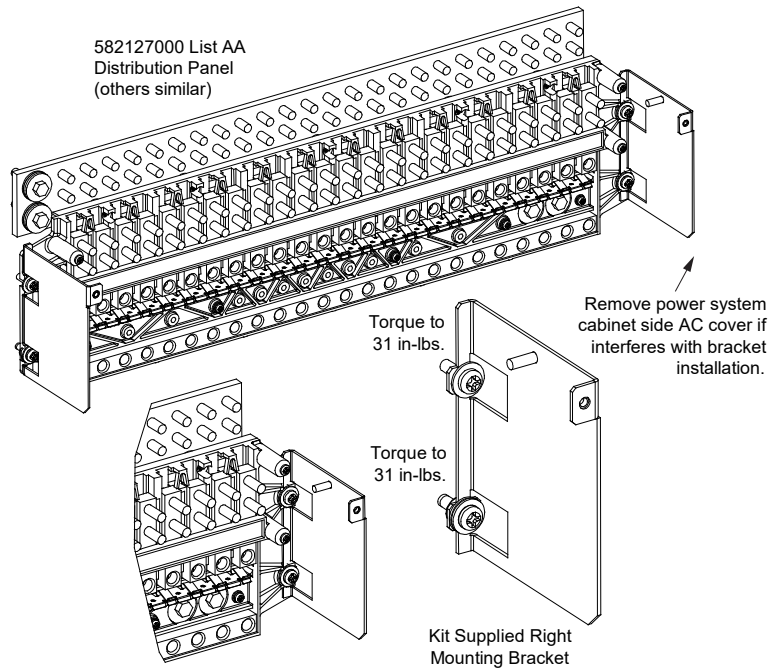


Figure 1.13 565459 Kit

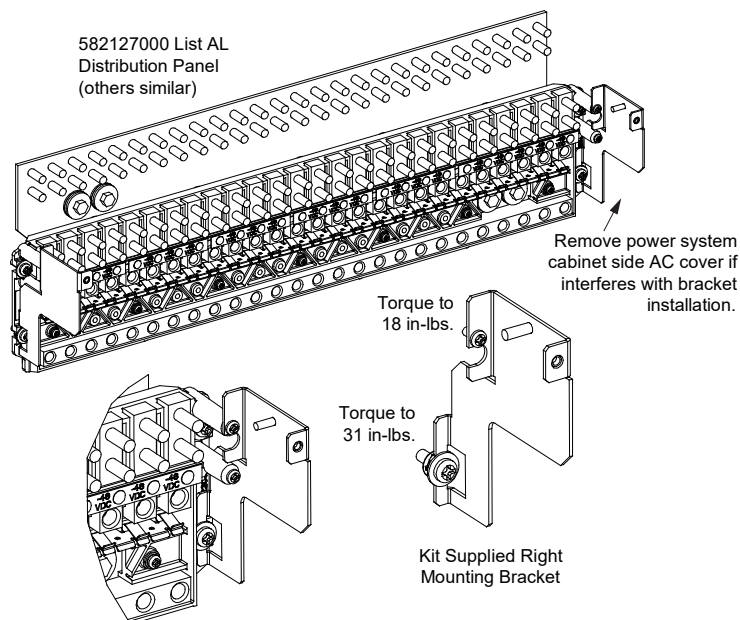
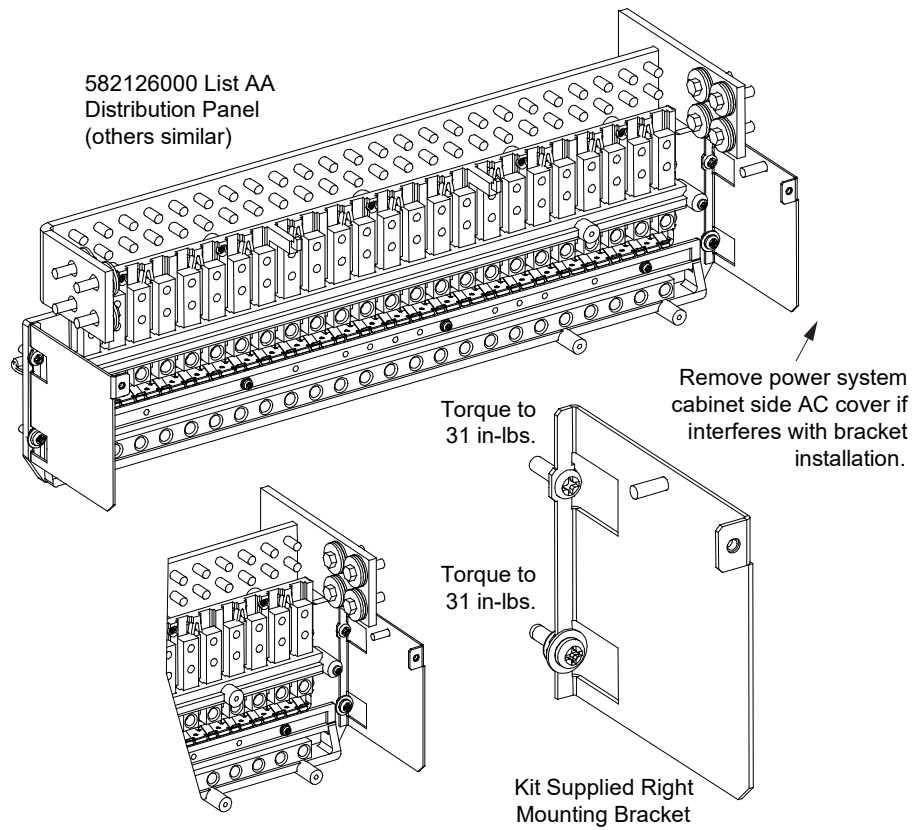


Figure 1.14 565601 Kit



- [] 11. If AC covers were removed to facilitate left/right side bracket installation, replace the AC covers. See Figure 1.8.
- [] 12. If alarm/control wiring was moved to facilitate left/right side bracket installation, re-secure with the kit provided cable ties.
- [] 13. Orient the kit supplied front mounting bracket as shown in Figure 1.15, Figure 1.16, or Figure 1.17. Note that the bracket comes preassembled with mounting hardware. Secure the front bracket to the left and right brackets by tightening the captive fasteners. Torque hardware as show in Figure 1.15, Figure 1.16, or Figure 1.17.

Figure 1.15 565391 Kit

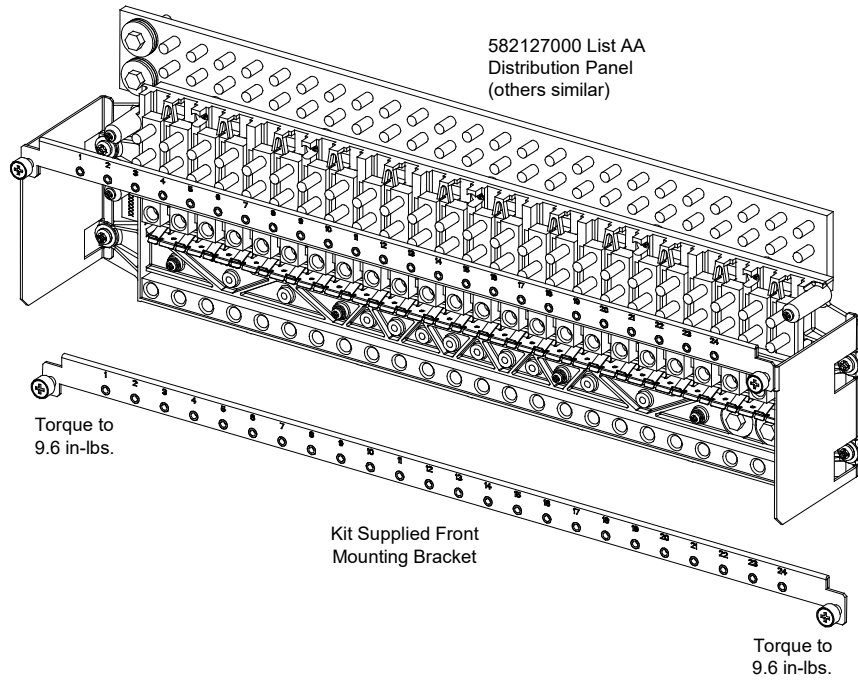


Figure 1.16 565459 Kit

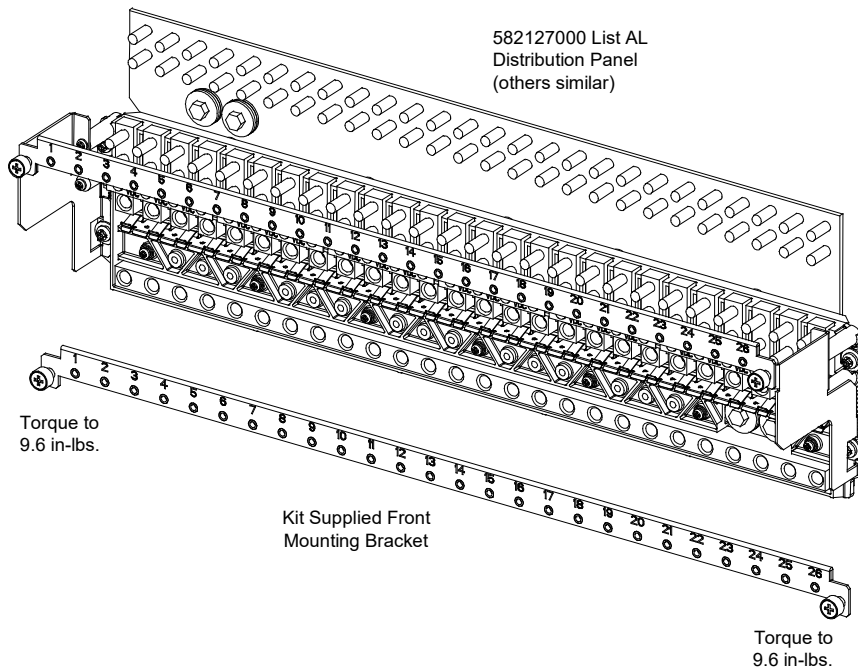
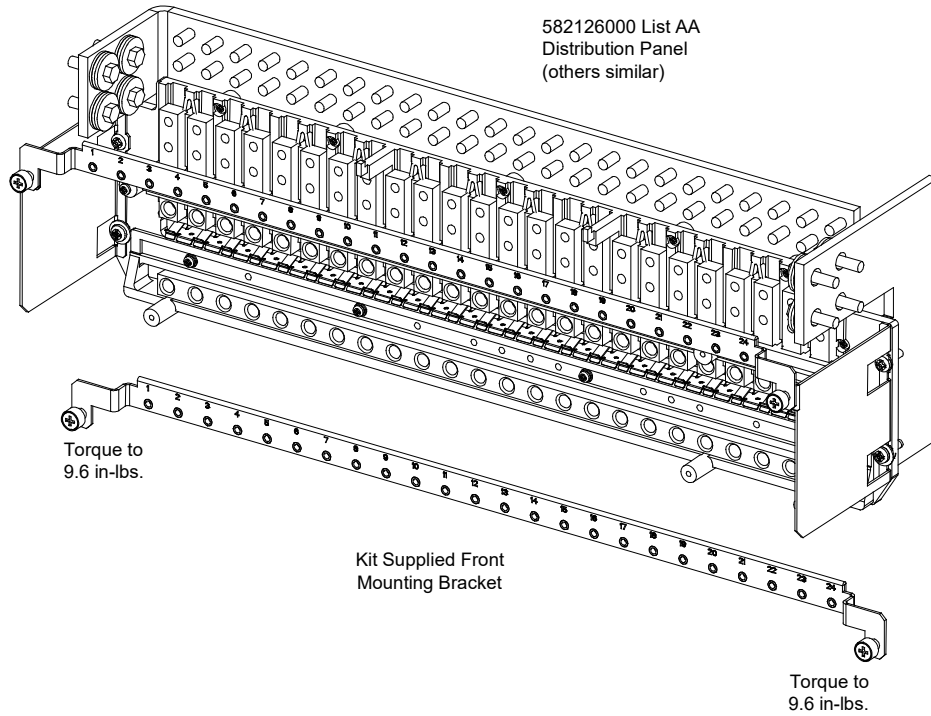



Figure 1.17 565601 Kit



- [] 14. Remove the kit supplied distribution position label (see Figure 1.18) from the kit supplied storage pouch and (using the plastic shield removed from the distribution panel as a guide) record the distribution positions onto the kit supplied label.
- [] 15. Place the kit supplied distribution position label (see Figure 1.18) back into the kit supplied storage pouch or remove the backing from the label and adhere it to a suitable surface near the power system. If the kit supplied distribution position label is placed back into the storage pouch, remove the backing from the hook-and-loop fastener factory attached to the storage pouch and adhere the storage pouch to a suitable surface near the power system.

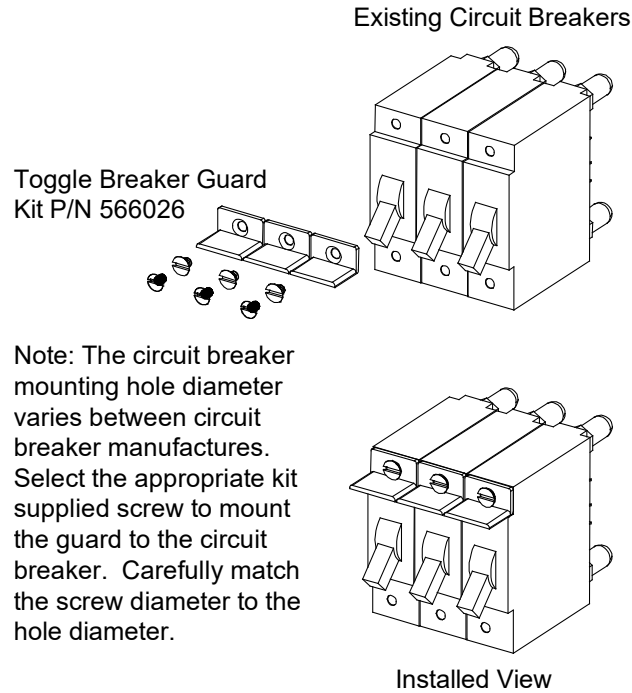
Figure 1.18 Distribution Position Label

Distribution Position Label

		ROW 2 <input type="checkbox"/>	ROW 4 <input type="checkbox"/>
VERTIV™		ROW 1 <input type="checkbox"/>	ROW 3 <input type="checkbox"/>
POS.	DETAIL	POS.	DETAIL
1		16	
2		17	
3		18	
4		19	
5		20	
6		21	
7		22	
8		23	
9		24	
10		25	
11		26	
12		27	
13		28	
14		29	
15		30	

- [] 16. Install the toggle breaker guard kit (P/N 566026) as required per site requirements. See Figure 1.19.

Figure 1.19 Toggle Breaker Guard Kit (P/N 566026)



- [] 17. Continue with the next procedure to install the power extend converter.

2 Installing the Power Extend Converter into a Distribution Position

2.1 Important Safety Instructions



DANGER! Adhere to the “Important Safety Instructions” starting on page v and those listed in the power system manual.



ALERT! Only install the power extend converter into a -48 VDC distribution position. Non-repairable damage will occur if the power extend converter is plugged into a +24 VDC distribution position.



NOTE! The power extend converter can be inserted or removed with power applied (hot swappable) as long as the power extend converter is inserted/removed with the enable/disable switch in the disabled position.



WARNING! The power extend converter and front mounting bracket becomes very hot during power extend converter operation at heavy load. Wear heat resistant gloves or allow the power extend converter to cool down before removing.

2.2 Restrictions

Refer to the power extend converter instruction manual (UM565050) for wire sizing restrictions.

Refer to Table 2.1 for spacing and power restrictions. This table shows how many converters can be placed side by side before skipping a single space at certain average power levels and in specific distribution row positions. These power levels pertain to the average output power (busy hour average power) drawn by the load including any power loss in the cable. The peak power available from each unit remains at 1000 watts regardless of spacing or location. Use the calculator tool that can be obtained at <https://www.vertiv.com/en-us/products-catalog/critical-power/dc-power-systems/esure-power-extend-converter-c4858-1000/#/downloads> to determine the necessity, quantity and spacing requirement of the Power Extend Converter based on the RRU type (or peak load), use application (host power system), trunk and jumper cable size and length, minimum source voltage and minimum RRU operating voltage.

Table 2.1 Spacing and Power Restrictions: Spec. No. 582127000, 581127000, 582126000, 581126000, 58212500, 581125000
Operating in a 40°C Ambient

Distribution Row	Watts Per Power Extend Converter				
	No Spaces	1 Pole / Space	2 Pole / Space	3 Pole / Space	4 Pole / Space
Row 4 Only	375 W	950 W	725 W	575 W	500 W
Rows 3 and 4	250 W	850 W	625 W	450 W	400 W
Row 1 Only	250 W	900 W	650 W	525 W	475 W
Rows 1 and 2	250 W	850 W	625 W	450 W	450 W

Note: Row 1 is the Bottom Row

2.3 Single Power Extend Converter Installation



NOTE! Mounting bracket kit P/N 565391 with distribution panel 582127000 List AA is used in the following procedure. Other kits and distribution panels similar.

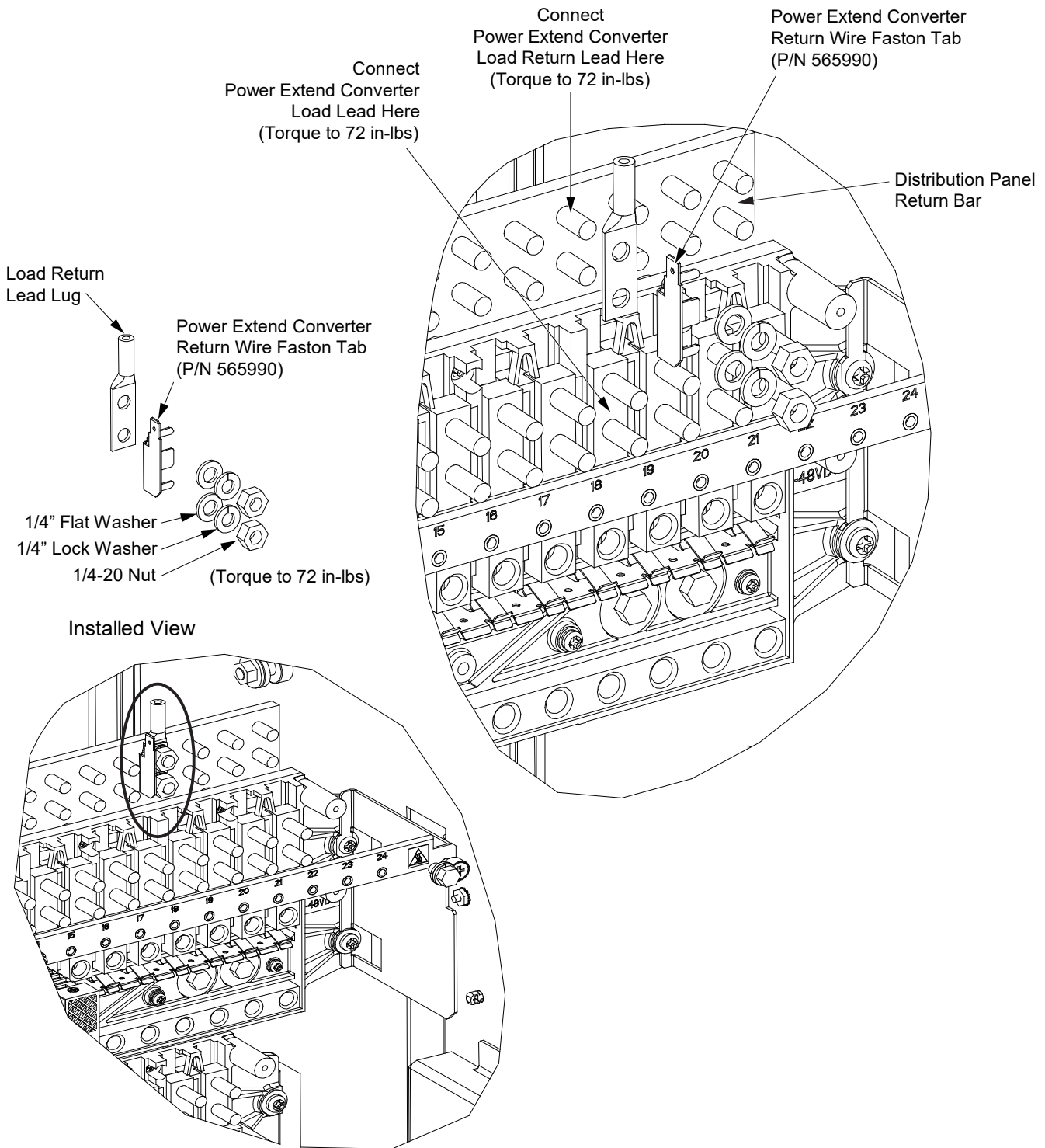
To parallel power extend converters, refer to the procedure “Parallel Power Extend Converter Installation” starting on page 22.

Procedure

- [] 1. If the power extend converter is to be installed for a newly connected load, connect the load and load return cables to the distribution panel for the position to be occupied by the power extend converter. At the same time, connect the power extend converter return wire faston tab (P/N 565990) provided with the power extend converter to the distribution panel return busbar (use the same location and hardware used for the return lead to the load). See Figure 2.1. Torque as indicated in Figure 2.1.

- [] 2. If the power extend converter is to replace an existing circuit breaker, remove the circuit breaker and verify the load and return cables for the position are wired and labeled correctly. It may be advantageous to loosen and temporarily move the load side cables for easier access to the hardware on the return landing position studs. Connect the power extend converter return wire faston tab (P/N 565990) provided with the power extend converter to the distribution panel return busbar (use the same location and hardware used for the return lead to the load). See Figure 2.1. Torque as indicated Figure 2.1.

Figure 2.1 Connecting Power Extend Converter Load and Load Return Cables to the Distribution Panel with the Power Extend Converter Return Wire Faston Tab (P/N 565990)



- [] 3. Connect the 4-inch long return wire jumper extension P/N 565752 provided with the power extend converter to the return wire faston tab P/N 565990 previously installed on the distribution panel return bar. See Figure 2.2 for example using kit P/N 565391 with distribution panel 582127000 List AA.



NOTE! The power extend converter is also furnished with an 8-inch long return wire jumper extension P/N 566207. The 8-inch long return wire jumper extension is not used with this mounting bracket kit. It is used in other kits.

- [] 4. Connect the return wire P/N 564330 provided with the power extend converter to the return wire jumper extension P/N 565752. See Figure 2.2 for example using kit P/N 565391 with distribution panel 582127000 List AA.
- [] 5. If the load side cables were disconnected in an above step, reinstall and tighten those cables in the appropriate positions.
- [] 6. Route the return wire (P/N 564330) down and behind the power extend converter's front mounting bracket, then connect it to the power extend converter. See Figure 2.3. Orient the white square on the return wire faston receptacle's locking tab as shown in Figure 2.3.

Figure 2.2 Connecting Power Extend Converter Return Wire (P/N 564330) and Return Wire Jumper Extension (P/N 565752) to the Power Extend Converter Return Wire Faston Tab (P/N 565990)

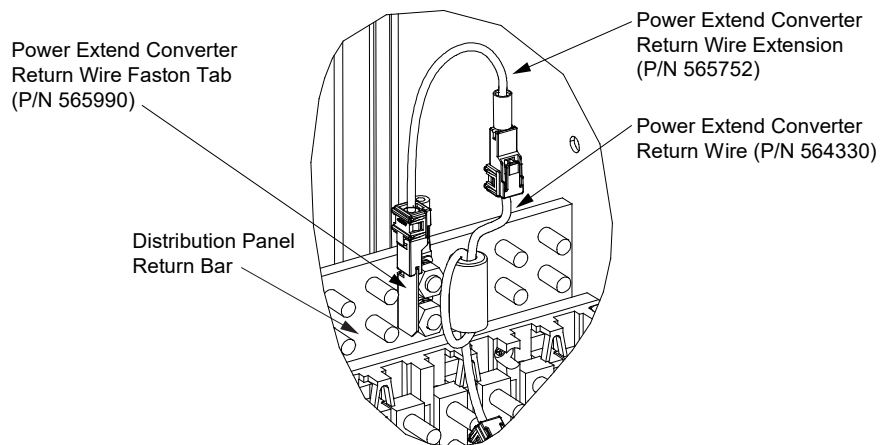
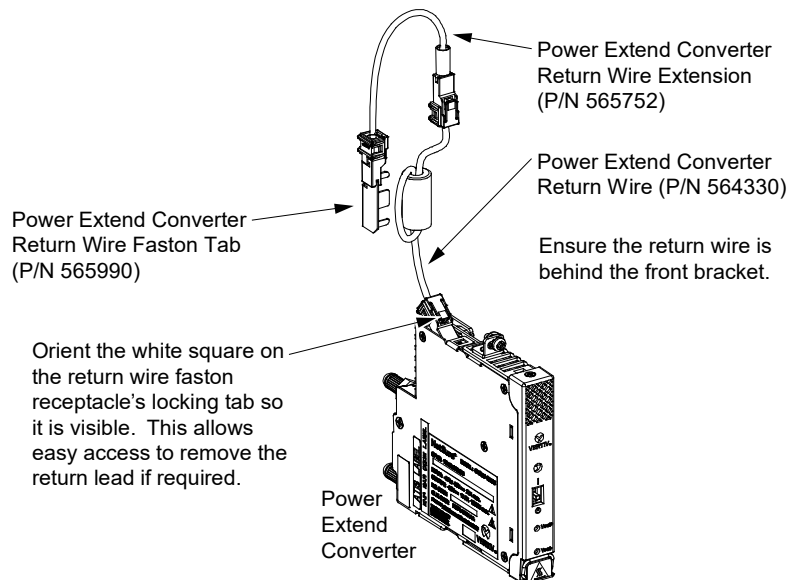
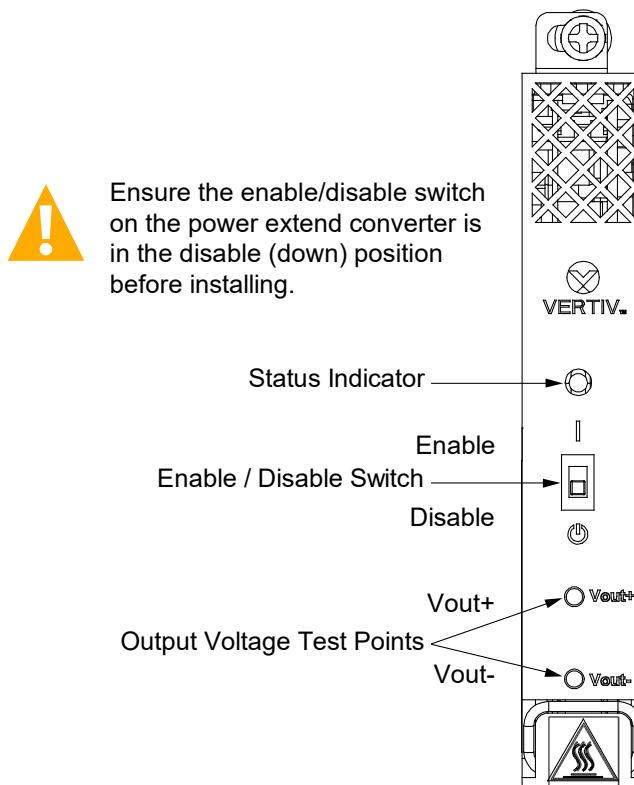


Figure 2.3 Connecting Power Extend Converter Return Wire (P/N 564330) to the Power Extend Converter



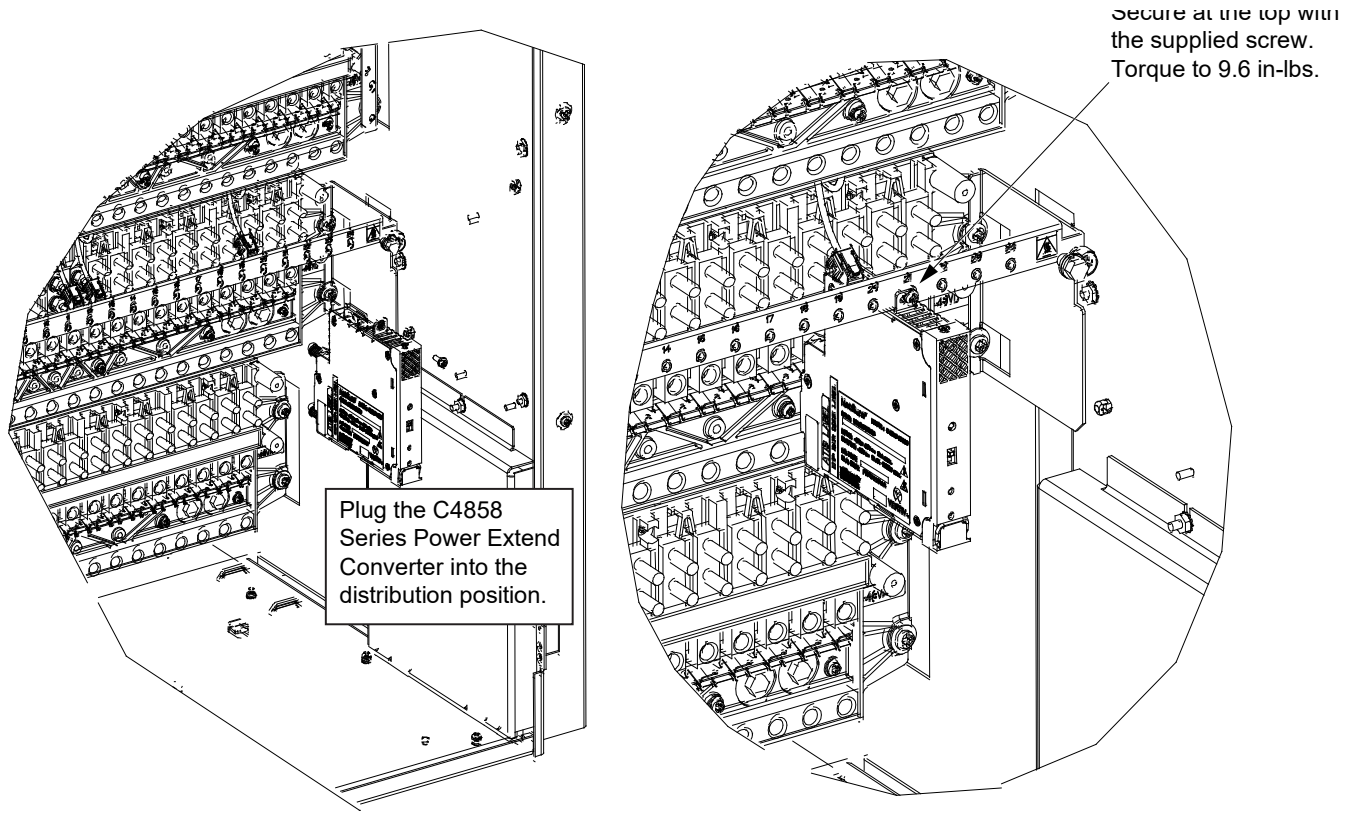
- [] 7. Ensure the enable/disable switch on the power extend converter is in the disable (down) position. See Figure 2.4.

Figure 2.4 Enable/Disable Switch



- [] 8. Plug the power extend converter into the distribution panel. See Figure 2.5.
- [] 9. Secure the power extend converter to the front mounting bracket with the screw provided with the power extend converter. Torque as indicated in Figure 2.5.
- [] 10. Place the enable/disable switch on the power extend converter to the enable position. See Figure 2.4.
- [] 11. Observe the status of the power extend converter front panel local indicator. If operating normally, this indicator should be illuminated green. See Figure 2.4.
- [] 12. Enable the external alarms or notify appropriate personnel that this procedure is finished.
- [] 13. Ensure that there are no local or remote alarms active on the power system.

Figure 2.5 Installing Power Extend Converter



2.4 Parallel Power Extend Converter Installation



NOTE! Mounting bracket kit P/N 565391 with distribution panel 582127000 List AA is used in the following procedure. Other kits and distribution panels similar.

To install a single power extend converter, refer to the procedure “Single Power Extend Converter Installation” starting on page 17.

Procedure

- [] 1. If the power extend converters are to be installed for a newly connected load, connect the load and load return cables to the distribution panel for the position to be occupied by the power extend converters. At the same time, connect the power extend converters return wire faston tabs (P/N 565990) provided with the power extend converters to the distribution panel return busbar (use the same location and hardware used for the return lead to the load). At the same time, connect the power extend converters paralleling busbar (P/N 60016097 for paralleling two converters, P/N 514717 for paralleling three converters) ordered separately to the distribution panel load busbars (use the same location and hardware used for the return lead to the load). See Figure 2.6. Torque as indicated in Figure 2.6.

- [] 2. If the power extend converter is to replace an existing circuit breaker, remove the circuit breaker and verify the load and return cables for the position are wired and labeled correctly. It may be advantageous to loosen and temporarily move the load side cables for easier access to the hardware on the return landing position studs. Connect the power extend converters return wire faston tabs (P/N 565990) provided with the power extend converters to the distribution panel return busbar (use the same location and hardware used for the return lead to the load). At the same time, connect the power extend converters paralleling busbar (P/N 60016097 for paralleling two converters, P/N 514717 for paralleling three converters) ordered separately to the distribution panel load busbars (use the same location and hardware as the load lead to the load). See Figure 2.6. Torque as indicated Figure 2.6.

Figure 2.6 Connecting Power Extend Converters Load Return Cables to the Distribution Panel with the Power Extend Converters Return Wire Faston Tabs (P/N 565990)
Connecting Power Extend Converters Load Cables to the Distribution Panel with the Power Extend Converters Paralleling Busbar (P/N 60016097 or 514717) (cont'd on next page)

Installed View

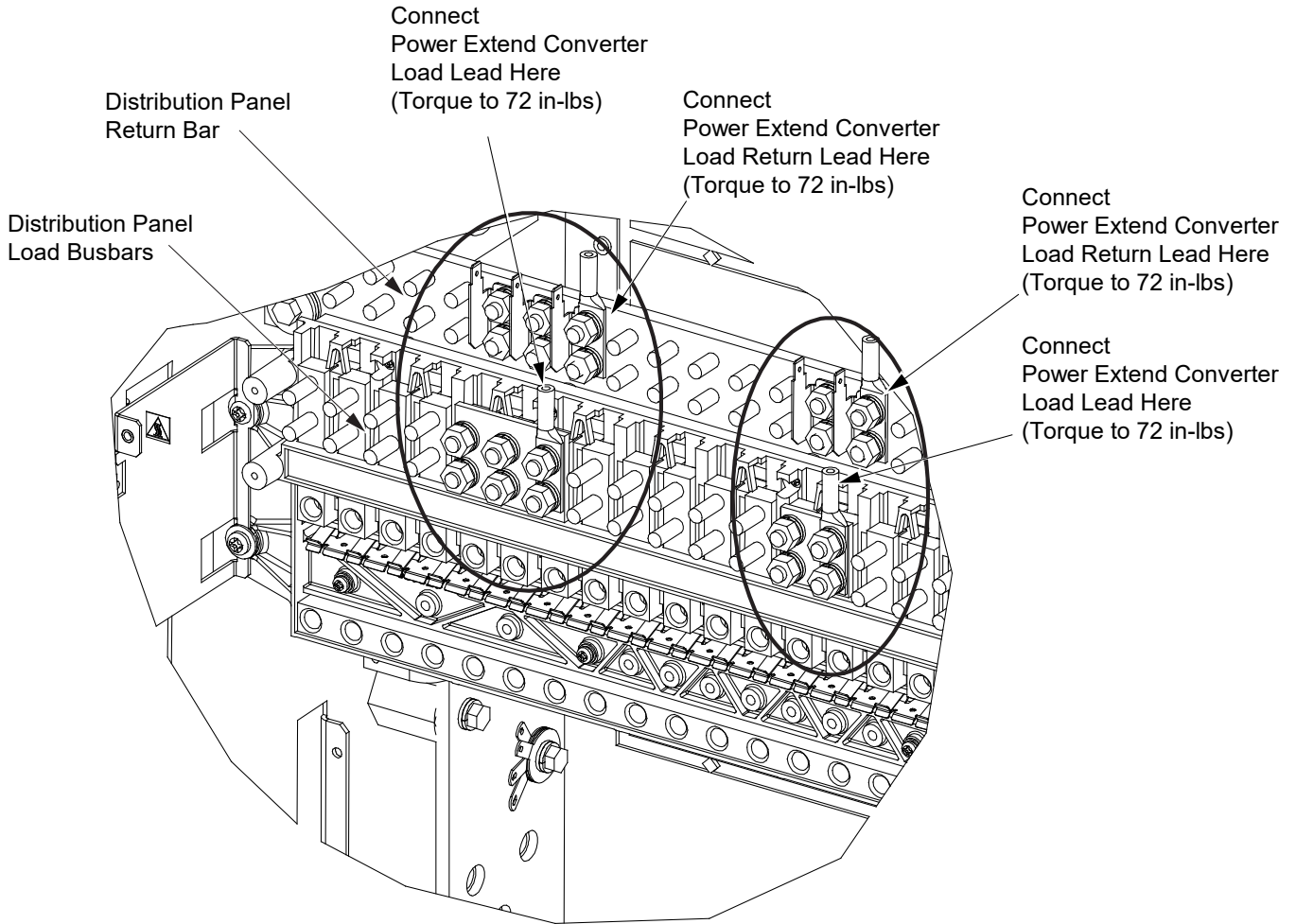
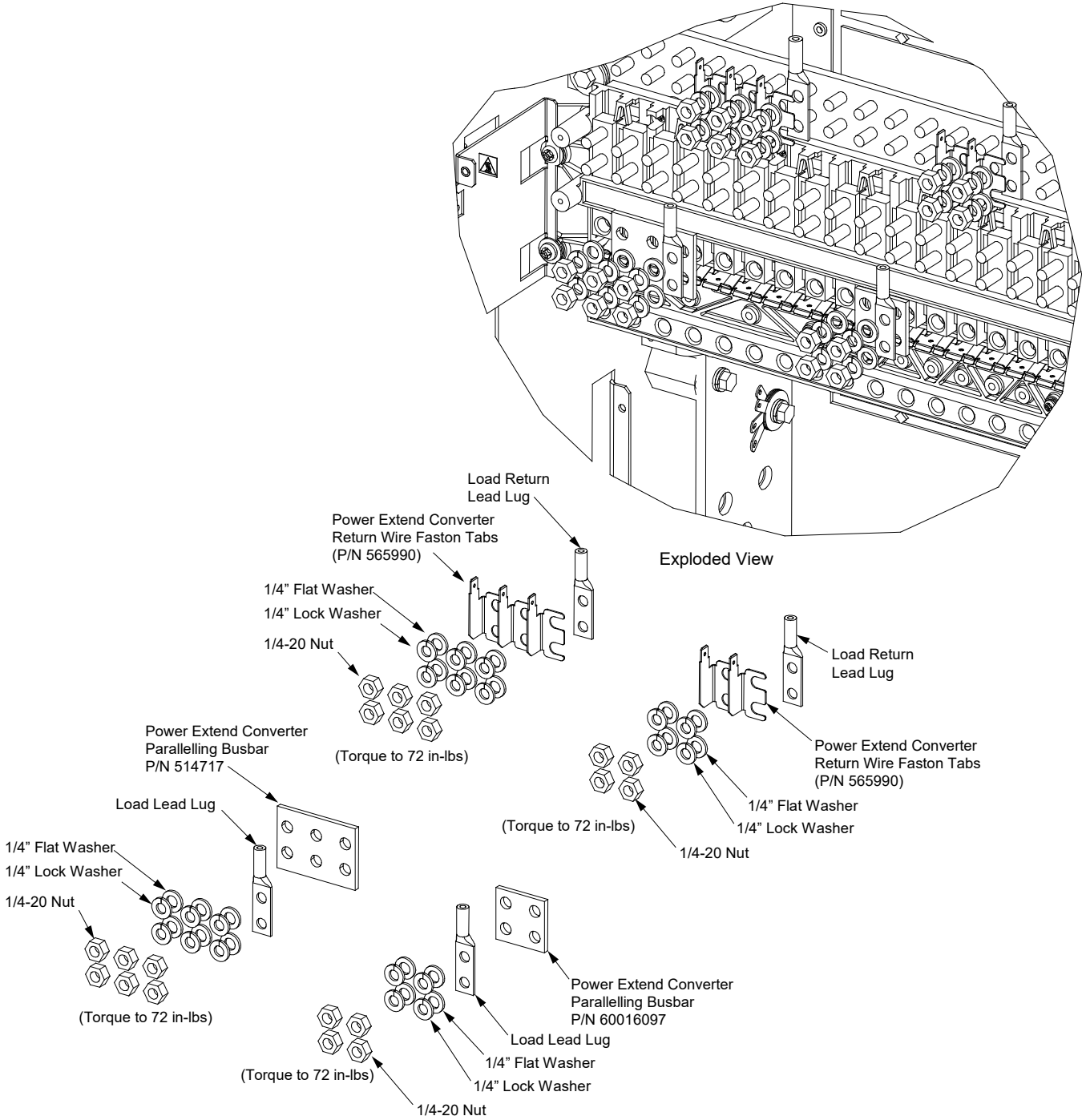


Figure 2.6 Connecting Power Extend Converters Load Return Cables to the Distribution Panel with the Power Extend Converters Return Wire Faston Tabs (P/N 565990)
Connecting Power Extend Converters Load Cables to the Distribution Panel with the Power Extend Converters Paralleling Busbar (P/N 60016097 or 514717) (cont'd from previous page)



- [] 3. Connect the 4-inch long return wire jumper extensions P/N 565752 provided with the power extend converters to the return wire faston tabs P/N 565990 previously installed on the distribution panel return bar. See Figure 2.7 for example using kit P/N 565391 with distribution panel 582127000 List AA. Do this for all power extend converters.



NOTE! The power extend converter is also furnished with an 8-inch long return wire jumper extension P/N 566207. The 8-inch long return wire jumper extension is not used with this mounting bracket kit. It is used in other kits.

- [] 4. Connect the return wires P/N 564330 provided with the power extend converters to the return wire jumper extensions P/N 565752. See Figure 2.7 for example using kit P/N 565391 with distribution panel 582127000 List AA. Do this for all power extend converters.
- [] 5. If the load side cables were disconnected in an above step, reinstall and tighten those cables in the appropriate positions.
- [] 6. For each power extend converter, route the return wire (P/N 564330) down and behind the power extend converter's front mounting bracket, then connect it to the power extend converter. See Figure 2.8. Orient the white square on the return wire faston receptacle's locking tab as shown in Figure 2.8.

Figure 2.7 Connecting Power Extend Converter Return Wire (P/N 564330) and Return Wire Jumper Extension (P/N 565752) to the Power Extend Converter Return Wire Faston Tabs (P/N 565990)

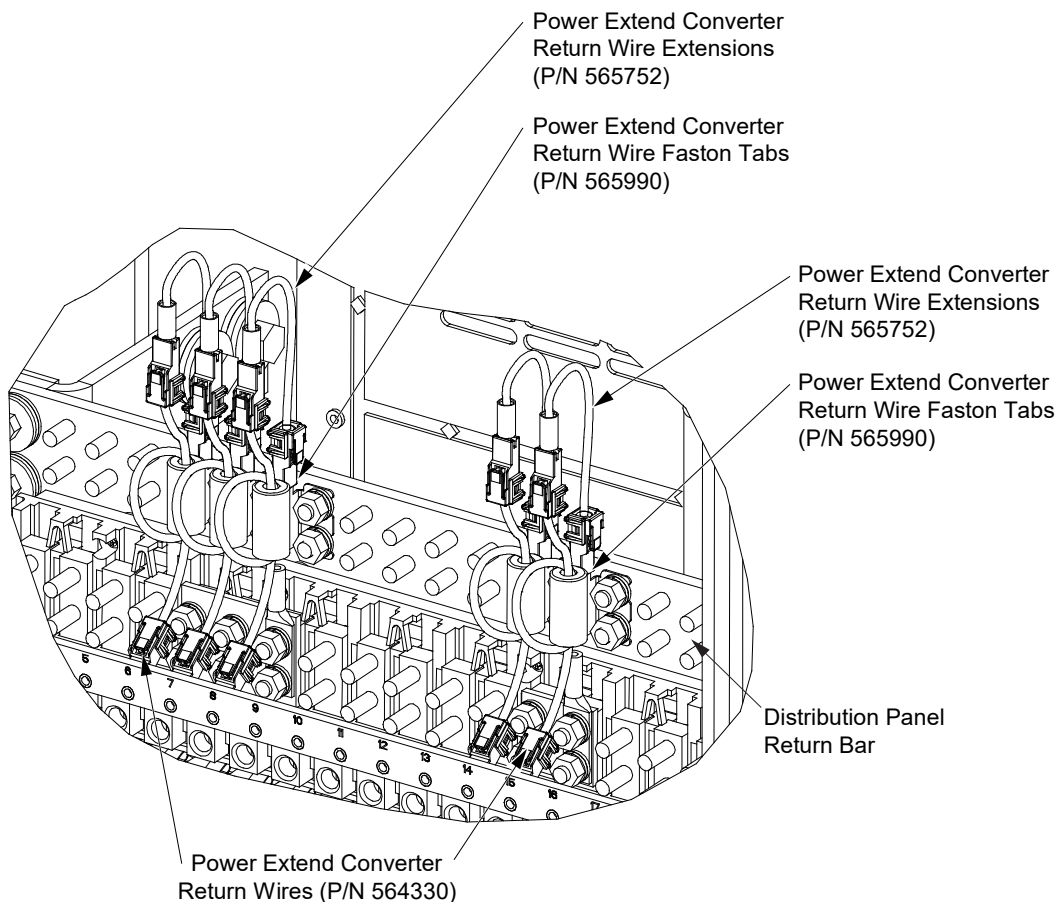
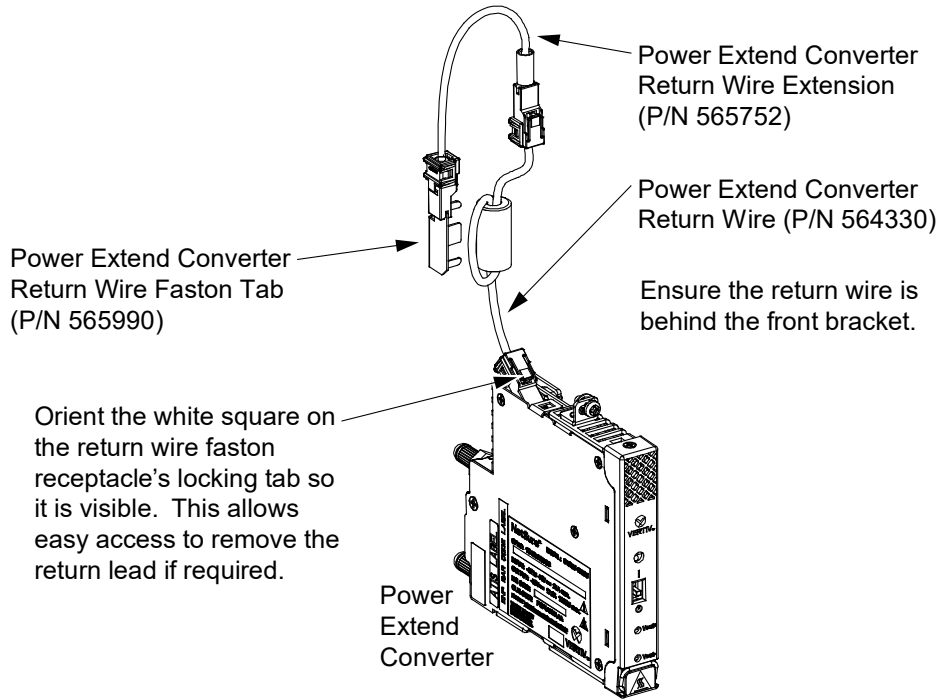
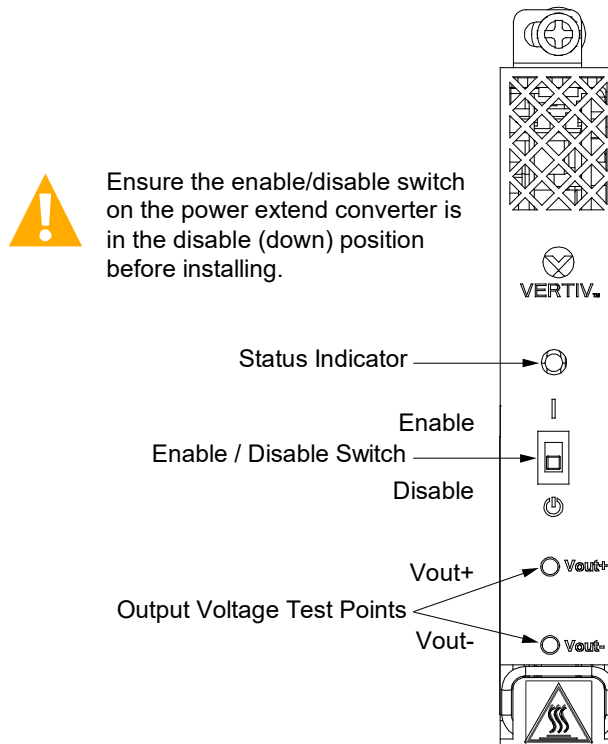


Figure 2.8 Connecting Power Extend Converter Return Wire (P/N 564330) to the Power Extend Converter



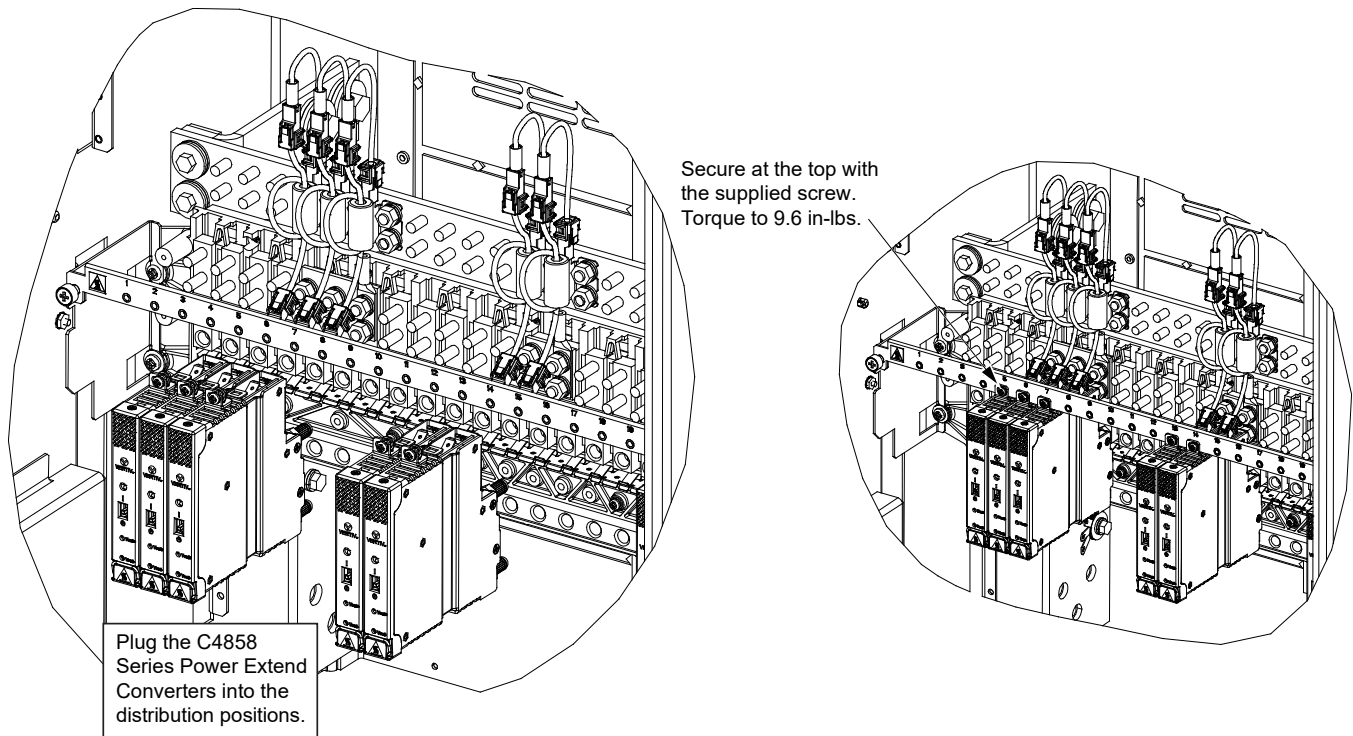
[] 7. Ensure the enable/disable switch on the power extend converter is in the disable (down) position. See Figure 2.9.

Figure 2.9 Enable/Disable Switch



- [] 8. Plug the power extend converter into the distribution panel. See Figure 2.10.
- [] 9. Secure the power extend converter to the front mounting bracket with the screw provided with the power extend converter. Torque as indicated in Figure 2.10.
- [] 10. Place the enable/disable switch on the power extend converter to the enable position. See Figure 2.9. If two or three power extend converters are connected in parallel to a load that exceeds 1000 watts peak, they should be switched on simultaneously.
- [] 11. Observe the status of the power extend converter front panel local indicator. If operating normally, this indicator should be illuminated green. See Figure 2.9.
- [] 12. Enable the external alarms or notify appropriate personnel that this procedure is finished.
- [] 13. Ensure that there are no local or remote alarms active on the power system.

Figure 2.10 Installing Power Extend Converters



This page intentionally left blank.

Connect with Vertiv on Social Media



<https://www.facebook.com/vertiv/>



<https://www.instagram.com/vertiv/>



<https://www.linkedin.com/company/vertiv/>



<https://www.twitter.com/vertiv/>



Vertiv.com | Vertiv Headquarters, 505 N Cleveland Ave, Westerville, OH 43082, USA

© 2023 Vertiv Group Corp. All rights reserved. Vertiv™ and the Vertiv logo are trademarks or registered trademarks of Vertiv Group Corp. All other names and logos referred to are trade names, trademarks or registered trademarks of their respective owners. While every precaution has been taken to ensure accuracy and completeness here, Vertiv Group Corp. assumes no responsibility, and disclaims all liability, for damages resulting from use of this information or for any errors or omissions.