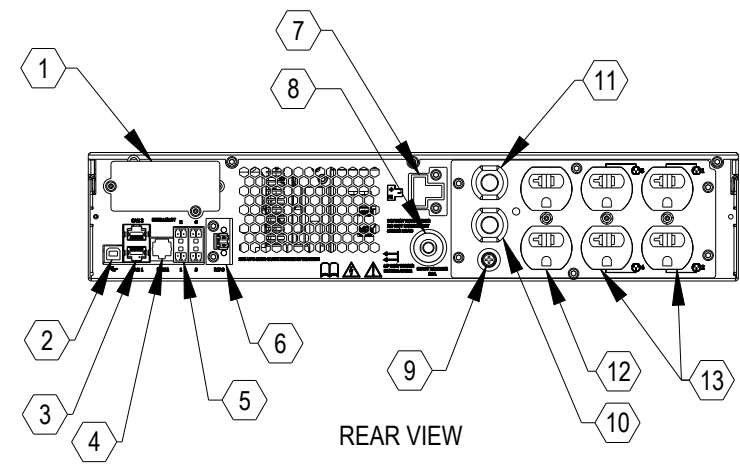
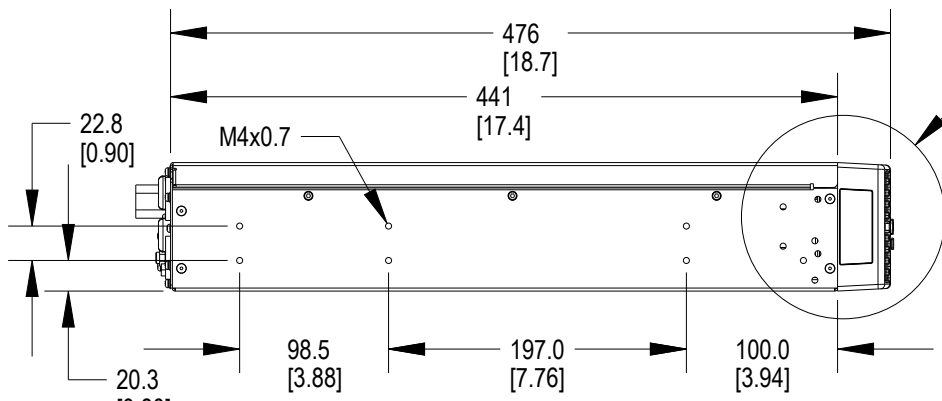


FRONT VIEW

FOR DETAIL
SEE DRAWING GXT5-DISPLAY

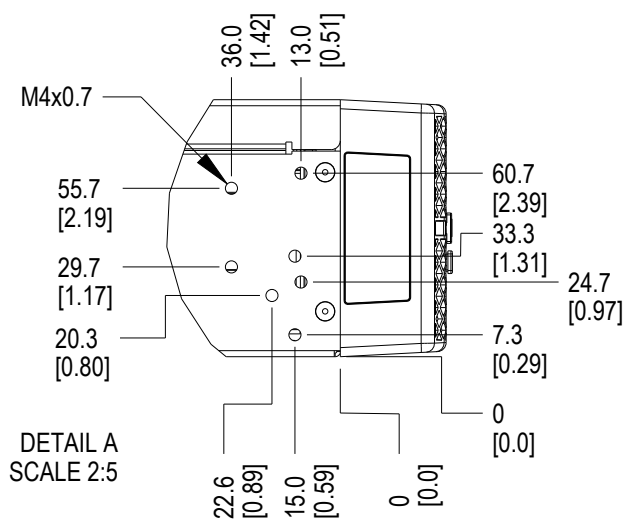


REAR VIEW



SIDE VIEW

SEE DETAIL A



DETAIL A
SCALE 2:5

- 1 INTELLISLOT PORT
- 2 USB PORT
- 3 EXTERNAL BATTERY CAN PORTS
- 4 RS232 PORT
- 5 TERMINAL BLOCK COMMUNICATION
- 6 REPO
- 7 EXTERNAL BATTERY CONNECTOR
- 8 20A INPUT BREAKER
- 9 GROUND SCREW
- 10 INPUT POWER PLUG (L5-20P W/5-20P ADAPTER, 3m/10ft)
- 11 NON PROGRAMMABLE OUTPUT PLUG (L5-20R)
- 12 NON PROGRAMMABLE OUTLETS (5-15/20R)
- 13 PROGRAMMABLE OUTLETS (5-15/20R)

NOTES

1. UNIT DIMENSIONS (WxDxH) 430mm x 476mm x 85mm (2U)
(16.9") x (21.5") x (3.3")
2. UNIT WEIGHT 18.5kg (40.8lbs)
3. SHIPPING DIMENSIONS (WxDxH) 542mm x 583mm x 228mm
(21.3" x 23.0" x 9.0")
4. SHIPPING WEIGHT 24.0kg (52.9lbs)
5. MINIMUM AIRFLOW CLEARANCE IS 100mm (4.0")
FRONT AND REAR.

SHEET NO. 1 OF 1	DRAWN BY: P BENNER	TITLE
CO. NO. -	DESIGNED BY: P BENNER	
REF DWG. -	APPROVED BY: N SECORD	

OUTLINE DRAWING
LIEBERT GXT5 LITHIUM-ION 2000VA
100 - 120VAC RACK/TOWER UPS

DWG. NO. GXT5-LI_2000_120	1050 DEARBORN DR P.O. BOX 29186 COLUMBUS, OH 43229
DATE (LATEST REV.) 2/14/2022	
REVISION 0	

