

# NETREACH™ PEDESTAL SERIES

UP6400, 10900 Enclosures



## KEY FEATURES

- Rugged metal housing made of mill-galvanized steel for durability and low maintenance costs
- Our unique multi-stage paint process meets or exceeds EPA standards, and provides a tough corrosion resistant finish for longer life
- Two convenient sizes offer installation flexibility
- Lift-off front and back covers provide 360° easy access for encapsulation kits, wirework enclosures, etc.
- Removable lower cover; internal service wire channel provide additional cable and wire placement without disturbing existing plant
- Adjustable splice bars permit flexibility in dressing cable conductor splices

## Description

The NetReach™ Pedestal Series, UP6400 and UP10900 are round-cornered, square-design telephone equipment splice enclosures. UP6400 (6-in. W and 400-pr.) or UP10900 (10-in. W and 900-pr.) enclosure includes splice support bars, bonding and grounding bracket, and two mounting stakes.

## Application

The UP6400 and UP10900 enclosures are used as above-ground housings for splicing, loading and limited service wire termination in control and access point installations where 360° access is desirable.

The enclosure houses open splices in PIC cable using all types of connectors. It is also suitable for containing splice cases and smaller-sized lead sleeves.



UP10900

## Dimensions

CATALOG NUMBER	A	B	C	D	W
UP6400	42-in.	14-in.	28-in.	6-1/2-in.	6-1/2-in.
UP10900	43-1/4-in.	14-in.	29-in.	10-1/2-in.	10-1/2-in.

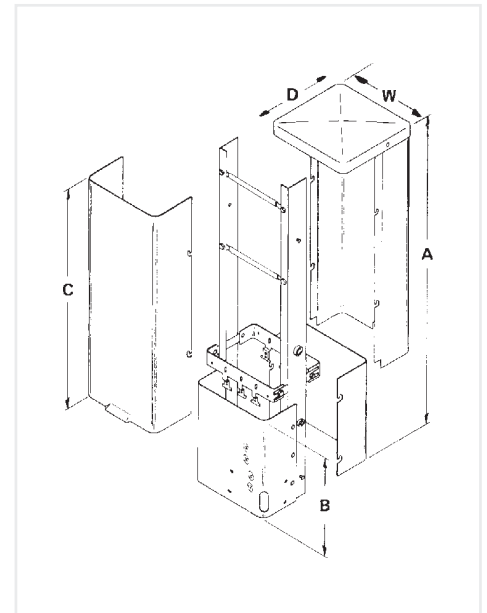
## Ordering Information

CATALOG NUMBER	PART NUMBER	DESCRIPTION	SPLICED PAIRS
UP6400	F603620	6-in. gray-green pedestal	400 pair
UP10900	F603630	10-in. gray-green pedestal	900 pair

**NOTE:** Total number of pairs spliced is dependent on connector use and local practices.

## Accessories

CATALOG NUMBER	PART NUMBER	DESCRIPTION
MS1342	F604080	Mounting stakes, 10/pkg



UP6400 Shown