

VERTIV™ BBE SE SERIES

DWIRE, EWIRE Broadband Edge Enclosures



KEY FEATURES

- Rugged metal housing made of mill-galvanized steel for durability and low maintenance costs.
- Our unique multi-stage paint process meets or exceeds EPA standards, and provides a tough corrosion-resistant finish for longer life.
- Two convenient sizes offer installation flexibility.
- Bonding/grounding connectors allow positive grounding of all components.
- Washer gap terminal block provides lightning protection.

Description

DWIRE and EWIRE are gray-green round-cornered square-design enclosures designed for terminating, splicing, and loading buried telephone wire. The DWIRE and EWIRE include a 2-pr. protection block, split-bolt clamp, and a bonding/grounding connector.

If required, an additional connecting block can be ordered separately.

Application

The DWIRE and EWIRE provide a junction point for rural, aerial and buried plant. The DWIRE can be either freestanding or pole-mounted, while the EWIRE is pole- or wall-mounted.

The RMS90 connecting block that is installed protects buried wire against lightning damage. However, once the large washers, binding posts, or connecting block become damaged due to a discharge, a new RMS90 connecting block should be installed.

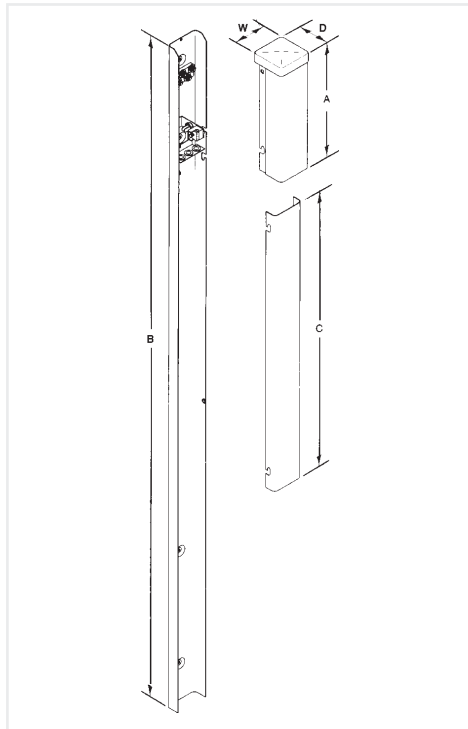


DWIRE

EWIRE

Dimensions

CATALOG NUMBER	A	B	C	D	W
DWIRE	13-in.	73-1/4-in.	30-in.	4-in.	3-3/4-in.
EWIRE	13-in.	—	—	4-in.	3-3/4-in.



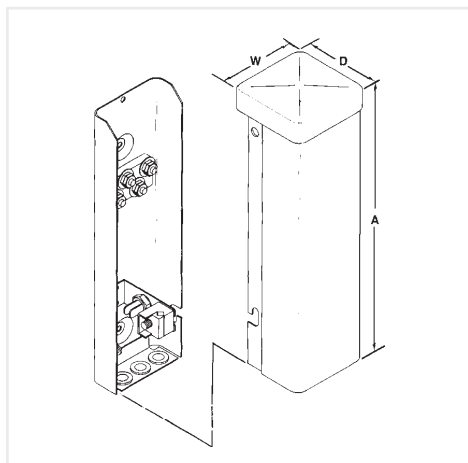
DWIRE

Ordering Information

CATALOG NUMBER	PART NUMBER	DESCRIPTION	RMS90 BLOCK CAPACITY	LOADING CAPACITY
DWIRE	F603860	72-in. tall gray-green pedestal	2	2
EWIRE	F603870	13-in. tall gray-green pedestal	2	2

Accessories

CATALOG NUMBER	PART NUMBER	DESCRIPTION
RMS90	F005731	Connecting block



EWIRE